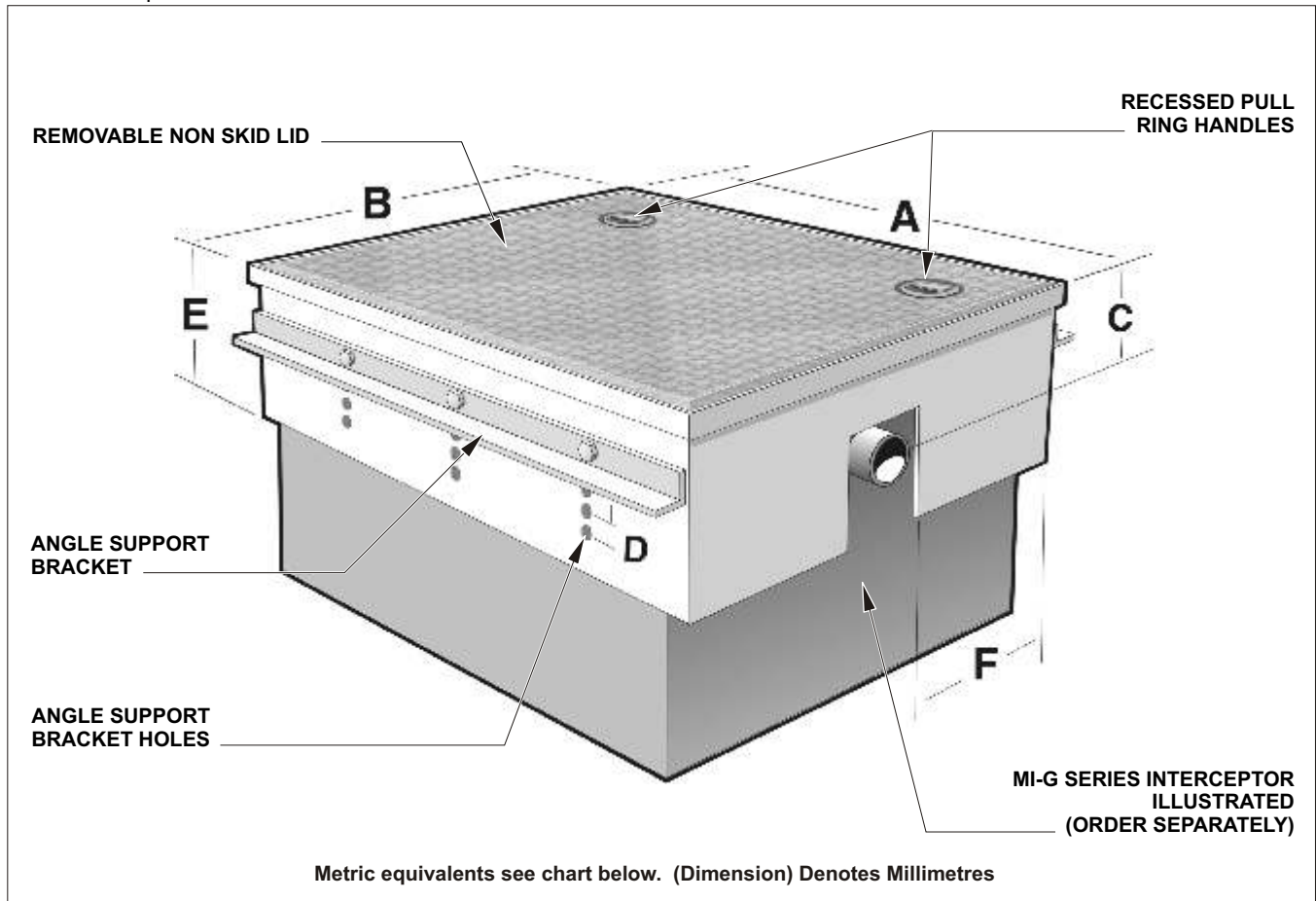


Specification: MIFAB® Series MI-CS _____ sanitary powder epoxy coated inside and outside fabricated 10 gauge steel cover shroud. Unit to include: angle support brackets on outside to anchor shroud into underground and inside to support the MIFAB® Series MI-G grease interceptor furnished, (specify MI-G grease interceptor), removable steel powder epoxy coated, non skid rectangular gasketed lid with two recessed pull ring handles and holes on each side of shroud for adjustment of angle support brackets.

Function: The shroud provides support for the interceptor and adjustability of the height on the inlet and outlet connections of the interceptor to connect with the drainage piping. The shroud can be installed into the slab at the time of pouring or installed in an opening in the rough slab. The shroud is secured and suspended in the slab by the anchor flanges. The interceptor is lowered into the shroud and adjusted to the elevation of the drainage piping with the support brackets provided. The interceptor is easily accessible for cleaning and inspection by removing the cover of the shroud. The shroud is not designed to provide waterproofing for the interceptor.



MODEL NO.	FOR USE WITH MIFAB® INTERCEPTOR	A	B	C	D	E	F
MI-CS-4	MI-G-0	21 3/4" (552)	16 1/4" (413)	5" (127)	1" (25)	11 3/4" (298)	4 1/4" (108)
MI-CS-7	MI-G-1	22 3/4" (578)	18 3/4" (476)	6" (152)	1" (25)	11 3/4" (298)	5 1/2" (140)
MI-CS-10	MI-G-2	26 1/4" (667)	20 3/4" (527)	6" (152)	1" (25)	11 3/4" (298)	6 1/4" (159)
MI-CS-15	MI-G-3	28 3/4" (730)	20 3/4" (527)	6" (152)	1" (25)	11 3/4" (298)	6 1/4" (159)
MI-CS-20	MI-G-4	28 3/4" (730)	20 3/4" (527)	6" (152)	1 1/4" (317)	14 3/4" (375)	6 1/4" (159)
MI-CS-25	MI-G-5	32 3/4" (832)	23 3/4" (603)	6" (152)	1 1/4" (317)	14 3/4" (375)	7" (179)
MI-CS-35	MI-G-6	36 1/4" (921)	28 3/4" (730)	8" (203)	1 1/4" (317)	14 3/4" (375)	8 3/4" (222)
MI-CS-50	MI-G-7	36 1/4" (921)	28 3/4" (730)	8" (203)	1 1/4" (317)	14 3/4" (375)	8 3/4" (222)
MI-CS-75	XL-MI-G-0	47" (1193)	33" (838)	8" (203)	1 1/4" (317)	14 3/4" (375)	9 5/8" (245)
MI-CS-100	XL-MI-G-1	60" (1524)	42" (1066)	8" (203)	1 1/4" (317)	14 3/4" (375)	14 1/8" (359)

Note: The "C" dimension listed is with the support brackets in the top set of holes. Increase this dimension by "D" for each set of holes the support brackets are moved down, to maximum of five sets

Job Name: _____	Page No: _____
Section No: _____	Contractor: _____
Schedule No: _____	Purchase Order No: _____