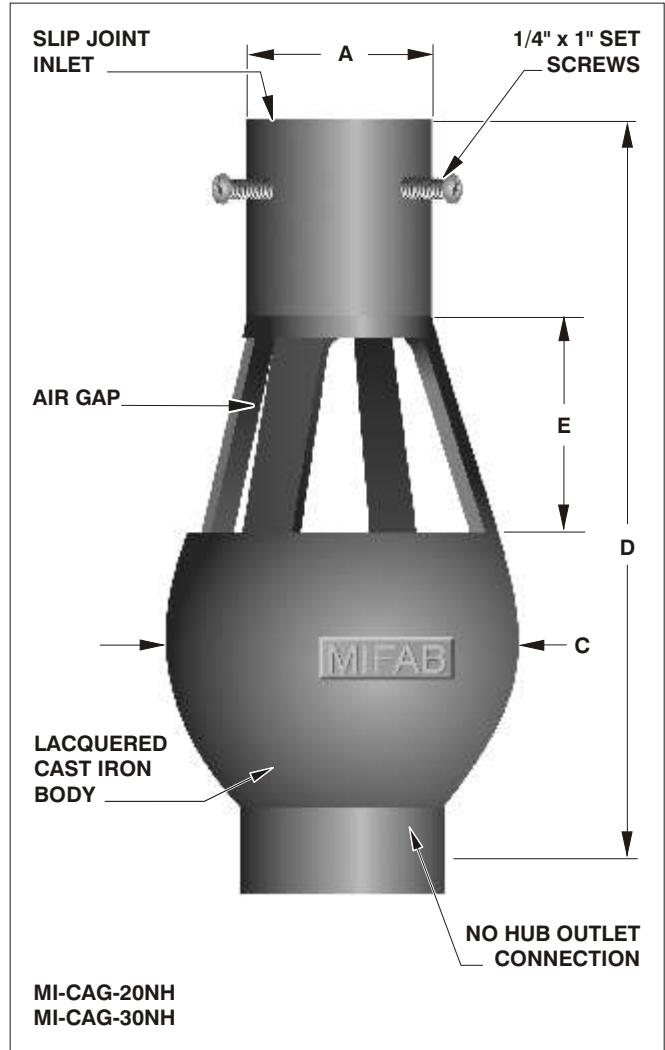
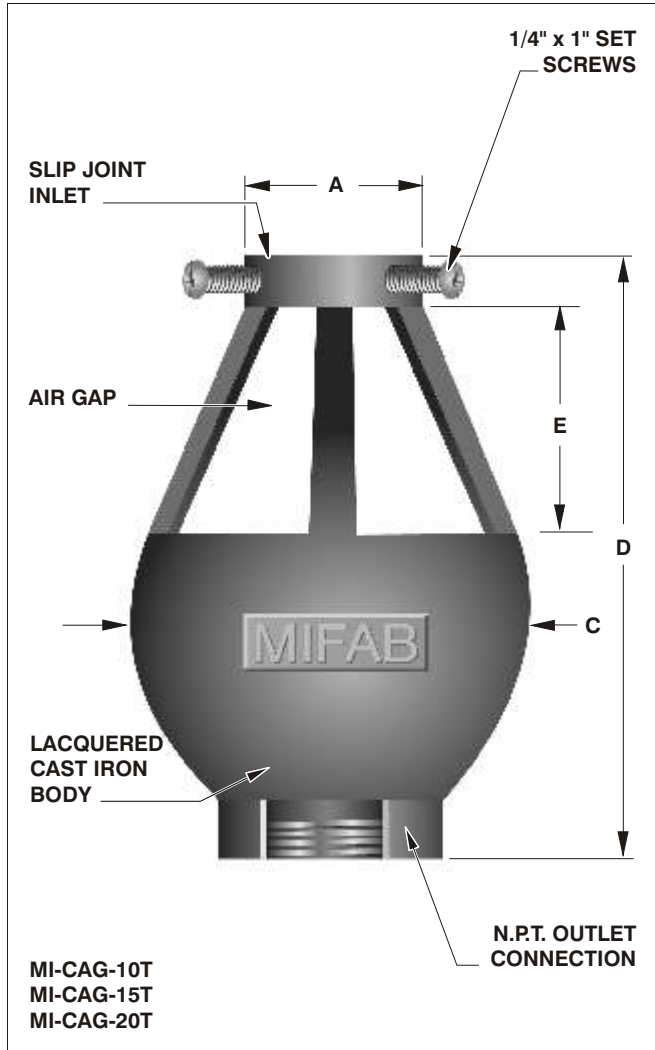


Specification: MIFAB® Series MI-CAG lacquered cast iron fixed air gap with slip joint inlet and either No-Hub or N.P.T. outlet (Specify outlet connection type).

Function: Used to protect fixtures from contamination due to back flow in the drain line when installed between the fixture waste outlet and the piping system. Also used to prevent contamination from cross connection between the potable water supply and the fixture that handles a contaminating liquid or one that is connected to the plumbing waste line when installed in the water supply to a fixture or appliance. Check the local Code Authority for actual requirements. ANSI/ASME A112.1.2 air gap in plumbing systems standard states that a vertical air gap of twice the outlet connection size is required.



MODEL NUMBER	"A" INLET	"B" OUTLET	"C" DIAMETER	"D" HEIGHT	"E" AIR GAP
MI-CAG-10T	1/2" (13)	1" (25)	3 1/4" (83)	4 3/4" (121)	2" (51)
MI-CAG-15T	3/4" (19)	1 1/2" (38)	4 1/4" (108)	5 1/2" (140)	2 1/4" (57)
MI-CAG-20T	1" (25)	2" (51)	4 1/2" (114)	8" (203)	4" (102)
MI-CAG-20NH	1 1/2" (38)	2" (51)	5 1/2" (140)	10" (254)	2 1/2" (63)
MI-CAG-30NH	2" (51)	3" (76)	5 1/2" (140)	10" (254)	2 1/2" (63)

OPTIONAL VARIATIONS: **SUFFIX**

All galvanized -13

Chrome plated -49

Job Name: _____ Page No: _____

Section No: _____ Contractor: _____

Schedule No: _____ Purchase Order No: _____