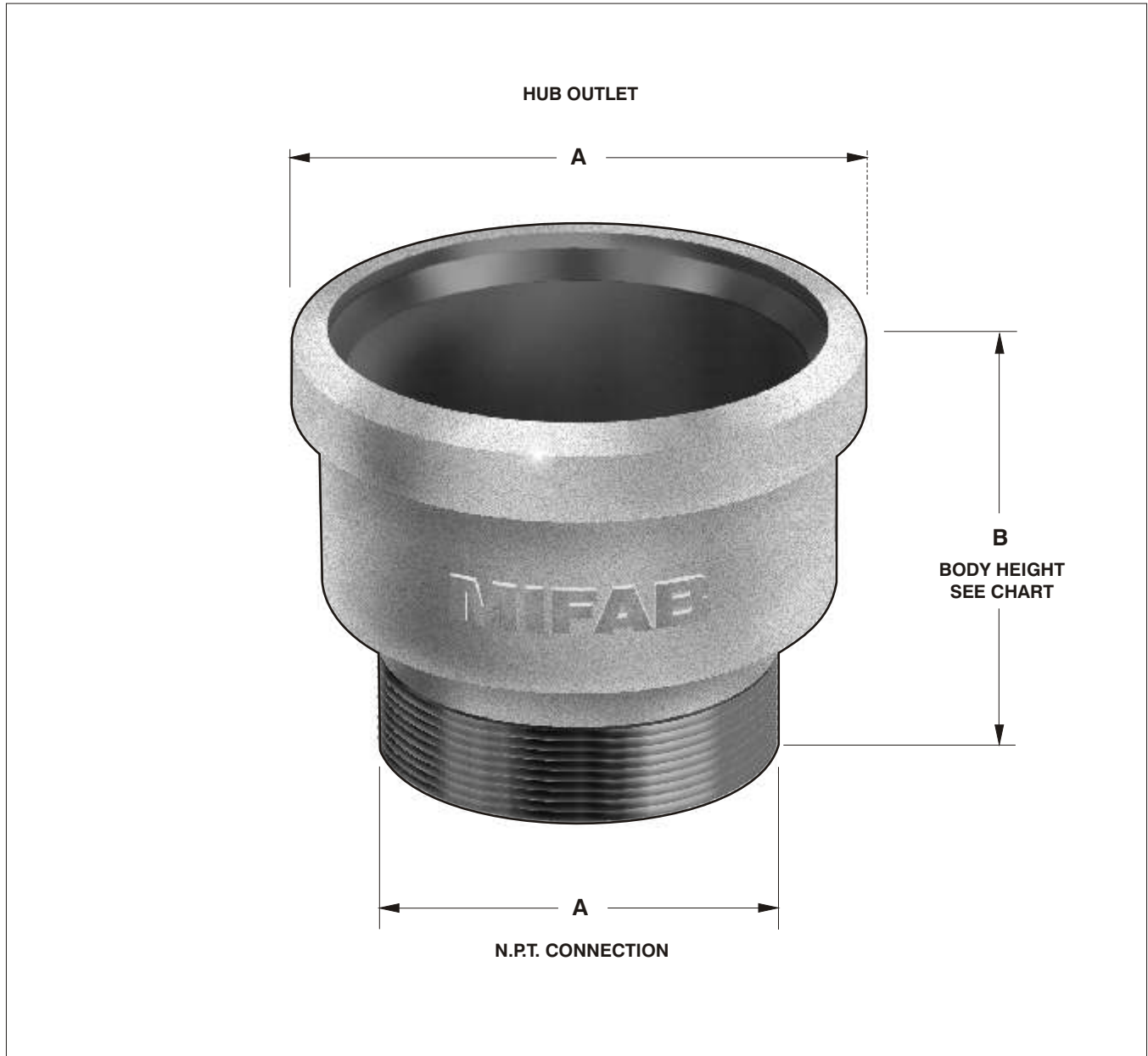


Specification: MIFAB® Series MI-830 lacquered cast iron hub adaptor with N.P.T. threaded connection at one end and hub connection at the other.

Function: Used to convert a female threaded connection to a hub connection for caulking.



MODEL NUMBER	"A" PIPE SIZE	"B" BODY HEIGHT
MI-830-3	3" (76)	4 3/8" (111)
MI-830-4	4" (102)	4 3/4" (121)
MI-830-6	6" (152)	5" (127)

OPTIONAL VARIATIONS: **SUFFIX**
 All galvanized -13

Job Name: _____	Page No: _____
Section No: _____	Contractor: _____
Schedule No: _____	Purchase Order No: _____