



MHY-60

LAWN / GROUND HYDRANT

Internet address: www.mifab.com

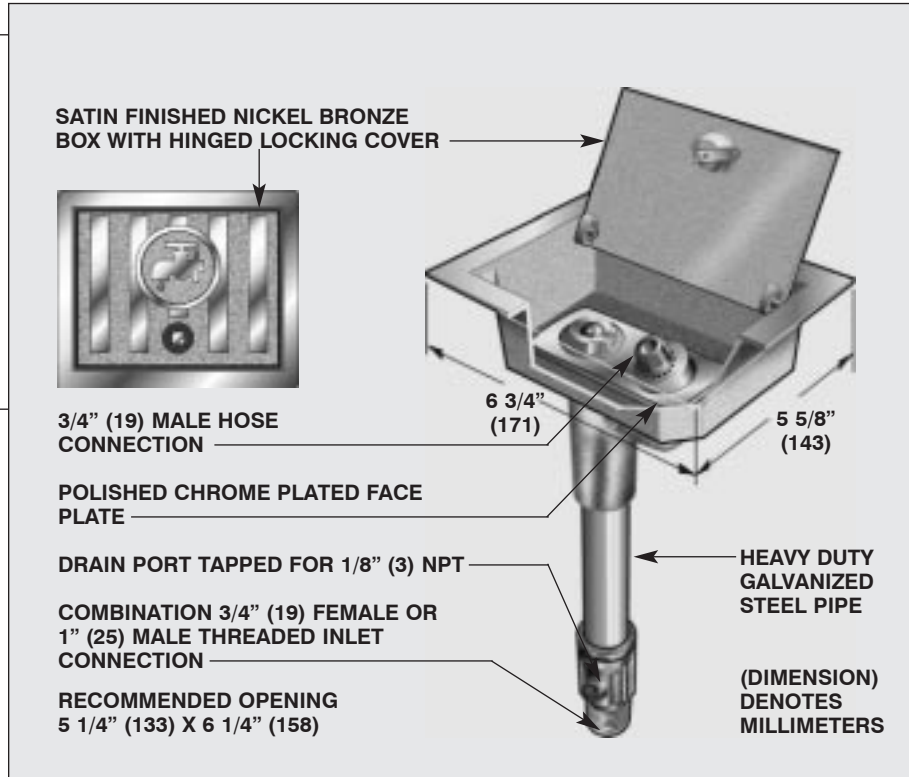
Toll Free: 1-800-465-2736

Canada Toll Free: 1-800-387-3880

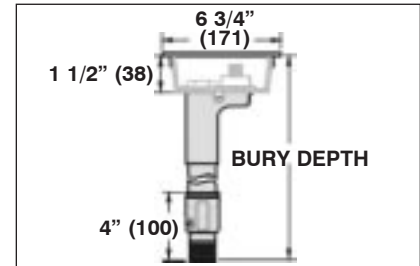
SPECIFICATION: MIFAB® Series MHY-60 _____ (specify length) A.S.S.E. 1019-B certified self draining, non freeze, lawn/ground hydrant with A.S.S.E. 1011 approved anti-siphon and vandal resistant integral vacuum breaker with 3/4" (19) male hose connection. Hydrant assembly complete with one piece neoprene plunger to control both the flow and drain functions, hardened bronze operating stem, drain port under the hexagon nut, heavy duty galvanized steel pipe, heavy duty chrome plated bronze head casting, polished chrome plated face plate and satin finished nickel bronze box with hinged locking cover. Operating key furnished with each hydrant opens the hydrant, box and prevents unauthorized use. Hydrant inlet connection complete with drain port tapped for 1/8" (3) NPT.

APPLICATIONS: Lawn/ground hydrants are installed flush with surrounding surfaces and are intended for use on golf courses, shopping centres, parks and landscaped areas around buildings.

Plumbing and Drainage
Mechanical Section



Side view



MIFAB® MHY-60 Series Features

- **INTERNAL COMPONENTS** - hardened bronze operating stem and one piece neoprene plunger.
- **VACUUM BREAKER** - unique self draining vandal resistant integral vacuum breaker protects from anti-siphon conditions.
- **CASING** - heavy duty galvanized steel pipe.
- **APPROVALS** - MHY-60 Series wall hydrant is tested and certified to the A.S.S.E. Standard 1019-B and listed by I.A.P.M.O. The anti-siphon vacuum breaker is tested and certified to the A.S.S.E. Standard 1011 and listed by I.A.P.M.O.



MODEL NO.	BURY DEPTH		INLET CONNECTION
	FT	MM	
MHY-601	1	302	3/4" Female, 1" Male IPS combination
MHY-602	2	603	3/4" Female, 1" Male IPS combination
MHY-603	3	905	3/4" Female, 1" Male IPS combination
MHY-604	4	1207	3/4" Female, 1" Male IPS combination
MHY-605	5	1508	3/4" Female, 1" Male IPS combination
MHY-606	6	1810	3/4" Female, 1" Male IPS combination
MHY-607	7	2112	3/4" Female, 1" Male IPS combination
MHY-608	8	2414	3/4" Female, 1" Male IPS combination
MHY-609	9	2715	3/4" Female, 1" Male IPS combination
MHY-610	10	3017	3/4" Female, 1" Male IPS combination

OPTIONAL VARIATIONS:

- | | | | |
|--|------------------|--|-------------|
| <input type="checkbox"/> 1" (25) Hose connection | suffix -0 | <input type="checkbox"/> Chrome plated box | suffix -49 |
| <input type="checkbox"/> Polished bronze face | suffix -2 | <input type="checkbox"/> Cast iron box with ductile iron cover | suffix -50 |
| <input type="checkbox"/> Cast stainless steel hydrant box | suffix -3 | <input type="checkbox"/> Anchor flange | suffix -FL |
| <input type="checkbox"/> 1/4" (6) drain port in box | suffix -9 | <input type="checkbox"/> Anchor flange and membrane clamp | suffix-FLM |
| <input type="checkbox"/> 3/8" (9) drain port in box | suffix -10 | <input type="checkbox"/> Hose storage box (cast iron) | suffix -HSB |
| <input type="checkbox"/> 1/2" (13) drain port in box | suffix -11 | <input type="checkbox"/> Cylinder key lock | suffix -K |
| | | <input type="checkbox"/> Wall clamp | suffix -WC |

(Dimension) Denotes Millimetres