



MHY-35

ENCASED MODERATE CLIMATE WALL HYDRANT

Internet address: www.mifab.com

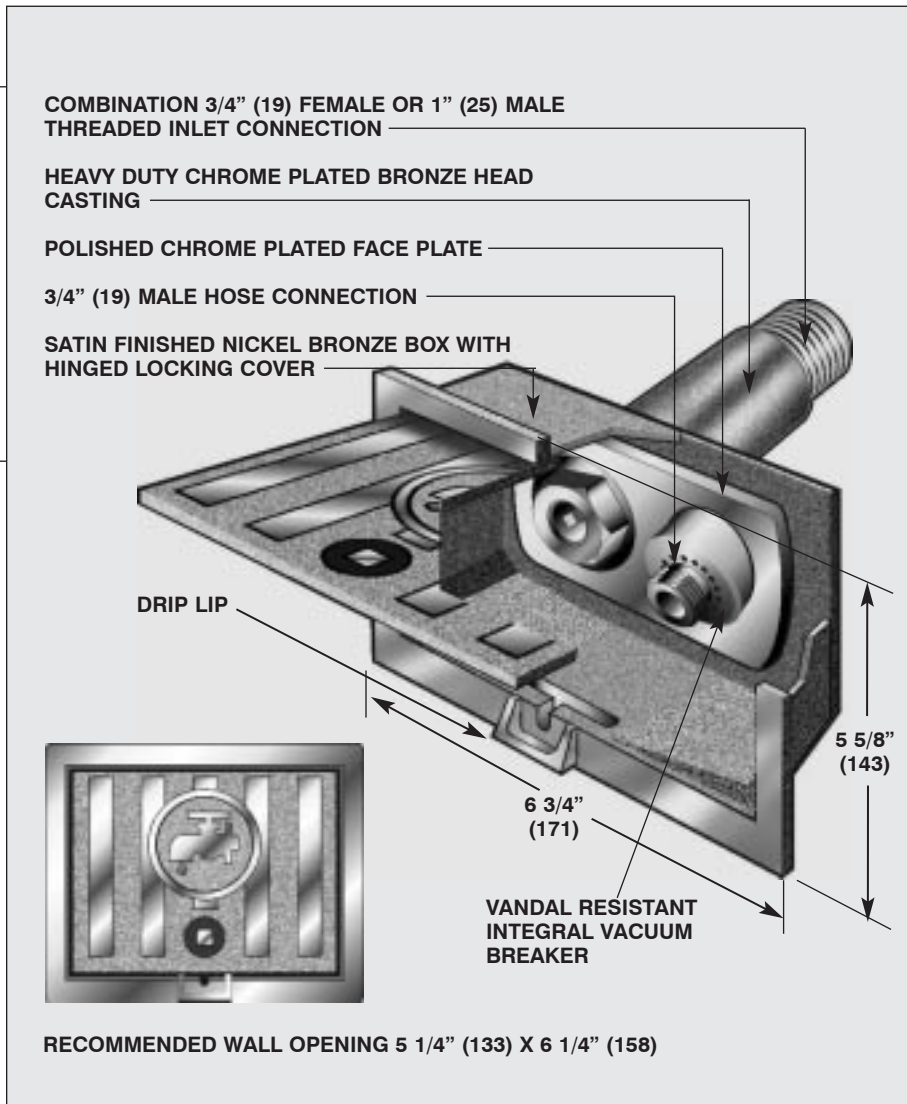
Toll Free: 1-800-465-2736

Canada Toll Free: 1-800-387-3880

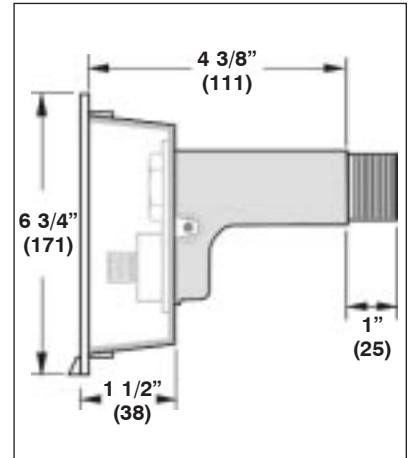
SPECIFICATION: MIFAB® Series MHY-35 encased type, self draining, moderate climate wall hydrant with A.S.S.E. 1011 certified anti-siphon and vandal resistant integral vacuum breaker. Hydrant assembly complete with one piece neoprene plunger to control the flow function, hardened bronze operating stem, heavy duty chrome plated bronze head casting, polished chrome plated face plate and satin finished nickel bronze box with hinged locking cover. Operating key to be furnished with each hydrant.

APPLICATIONS: Designed for commercial applications in moderate climate areas. Ideal for office buildings, apartment complexes, malls, shopping centers, schools, churches and industrial buildings.

Plumbing and Drainage
Mechanical Section



Overhead view



MIFAB® MHY-35 Series Features

- **INTERNAL COMPONENTS** - hardened bronze operating stem and one piece neoprene plunger.
- **VACUUM BREAKER** - unique self draining vandal resistant integral vacuum breaker protects from anti-siphon conditions.
- **FACE PLATE** - polished chrome plated.
- **APPROVALS** - MHY-35 Series wall hydrant is listed with I.A.P.M.O. and is manufactured with an anti-siphon vacuum breaker that is tested and certified to the A.S.S.E. Standard 1011.



MODEL NO.	WALL THICKNESS		OVERALL LENGTH		APPROXIMATE WEIGHT		INLET CONNECTION
	IN	MM	IN	MM	Lbs.	Kg.	
MHY-35	4 3/8	111	5 3/8	137	5.5	2.5	3/4" Female, 1" Male IPS combination

OPTIONAL VARIATIONS:

- | | | | |
|---|------------------|---|------------|
| <input type="checkbox"/> 1" (25) Hose connection | suffix -0 | <input type="checkbox"/> Polished chrome plated nickel bronze box | suffix -49 |
| <input type="checkbox"/> Polished bronze face | suffix -2 | <input type="checkbox"/> Three mounting brackets fastened to top and two sides of box for frame installation | suffix -BR |
| <input type="checkbox"/> Cast stainless steel hydrant box | suffix -3 | <input type="checkbox"/> Cylinder key lock | suffix -K |
| <input type="checkbox"/> Statuary bronze face | suffix -4 | <input type="checkbox"/> Four 1" x 1/4" (25 x 6) slots on top and two sides of box to receive mounting brackets | suffix -S |
| <input type="checkbox"/> 3/4" (19) female solder adapter | suffix -5 | <input type="checkbox"/> Wall clamp | suffix -WC |
| <input type="checkbox"/> 3/4" (19) I.P.S. 90 degree elbow and union nut | suffix -6 | | |

(Dimension) Denotes Millimetres