



MHY-30

**MODERATE CLIMATE  
WALL HYDRANT**

Internet address: www.mifab.com

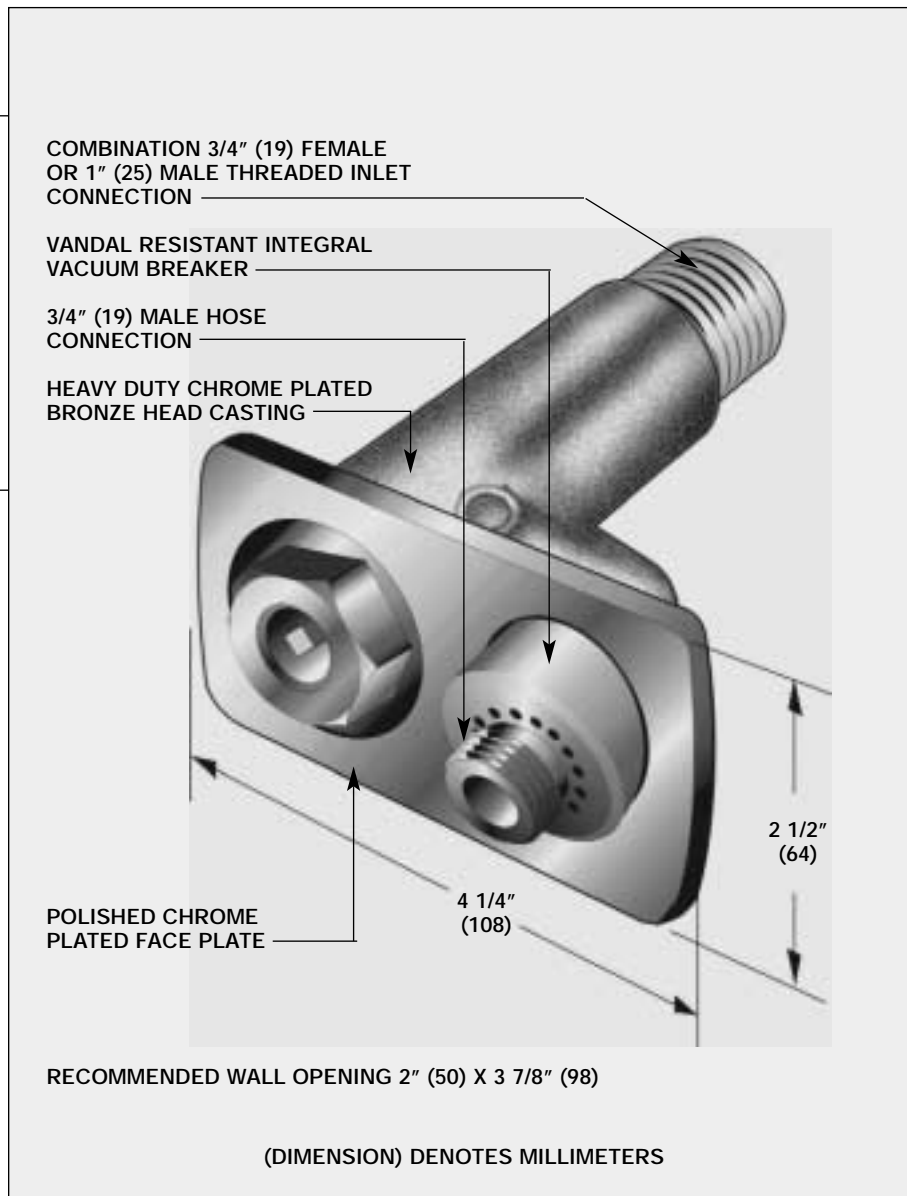
Toll Free: 1-800-465-2736

Canada Toll Free: 1-800-387-3880

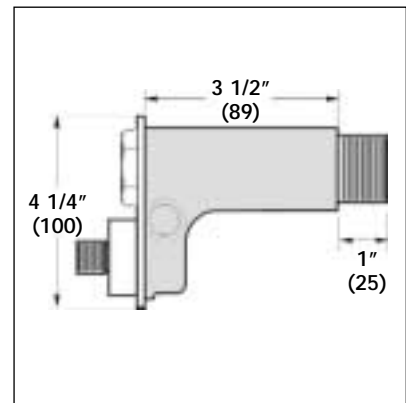
**SPECIFICATION:** MIFAB® Series MHY-30 exposed type, self draining, moderate climate wall hydrant with A.S.S.E. 1011 certified anti-siphon and vandal resistant integral vacuum breaker with 3/4" (19) male hose connection. Hydrant assembly complete with one piece neoprene plunger to control the flow function, hardened bronze operating stem, heavy duty chrome plated bronze head casting.

**APPLICATIONS:** Designed for commercial applications in moderate climate areas. Ideal for office buildings, apartment complexes, malls, shopping centers, schools, churches and industrial buildings.

Plumbing and Drainage  
Mechanical Section



Overhead view



**MIFAB® MHY-30 Series Features**

- **INTERNAL COMPONENTS** - hardened bronze operating stem and neoprene plunger.
- **VACUUM BREAKER** - unique self draining vandal resistant integral vacuum breaker protects from anti-siphon conditions.
- **FACE PLATE** - polished chrome plated.
- **APPROVALS** - MHY-30 Series wall hydrant is listed with I.A.P.M.O. and is manufactured with an anti-siphon vacuum breaker that is tested and certified to the A.S.S.E. Standard 1011.



MODEL NO.	WALL THICKNESS	OVERALL LENGTH		APPROXIMATE WEIGHT		INLET CONNECTION
		IN	MM	Lbs.	Kg.	
MHY-30	N/A	4 1/2	114	2	0.9	3/4" Female, 1" Male IPS combination

**OPTIONAL VARIATIONS:**

- |                           |           |  |            |
|---------------------------|-----------|--|------------|
| □ 1" (25) Hose connection | suffix -0 | □ 3/4" (19) female solder adapter                | suffix -5  |
| □ Polished bronze face    | suffix -2 | □ 3/4" (19) I.P.S. 90 degree elbow and union nut | suffix -6  |
| □ Statuary bronze face    | suffix -4 | □ Wall clamp                                     | suffix -WC |

(Dimension) Denotes Millimetres