

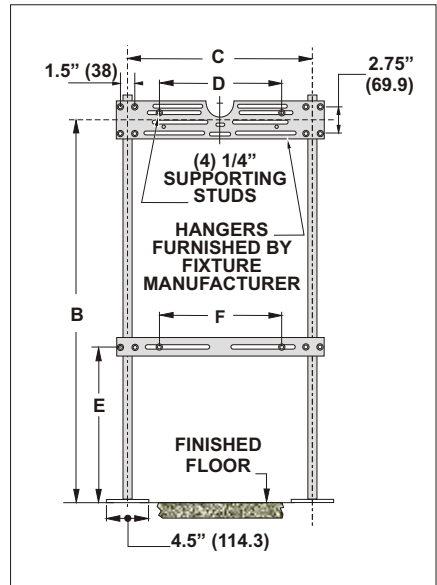
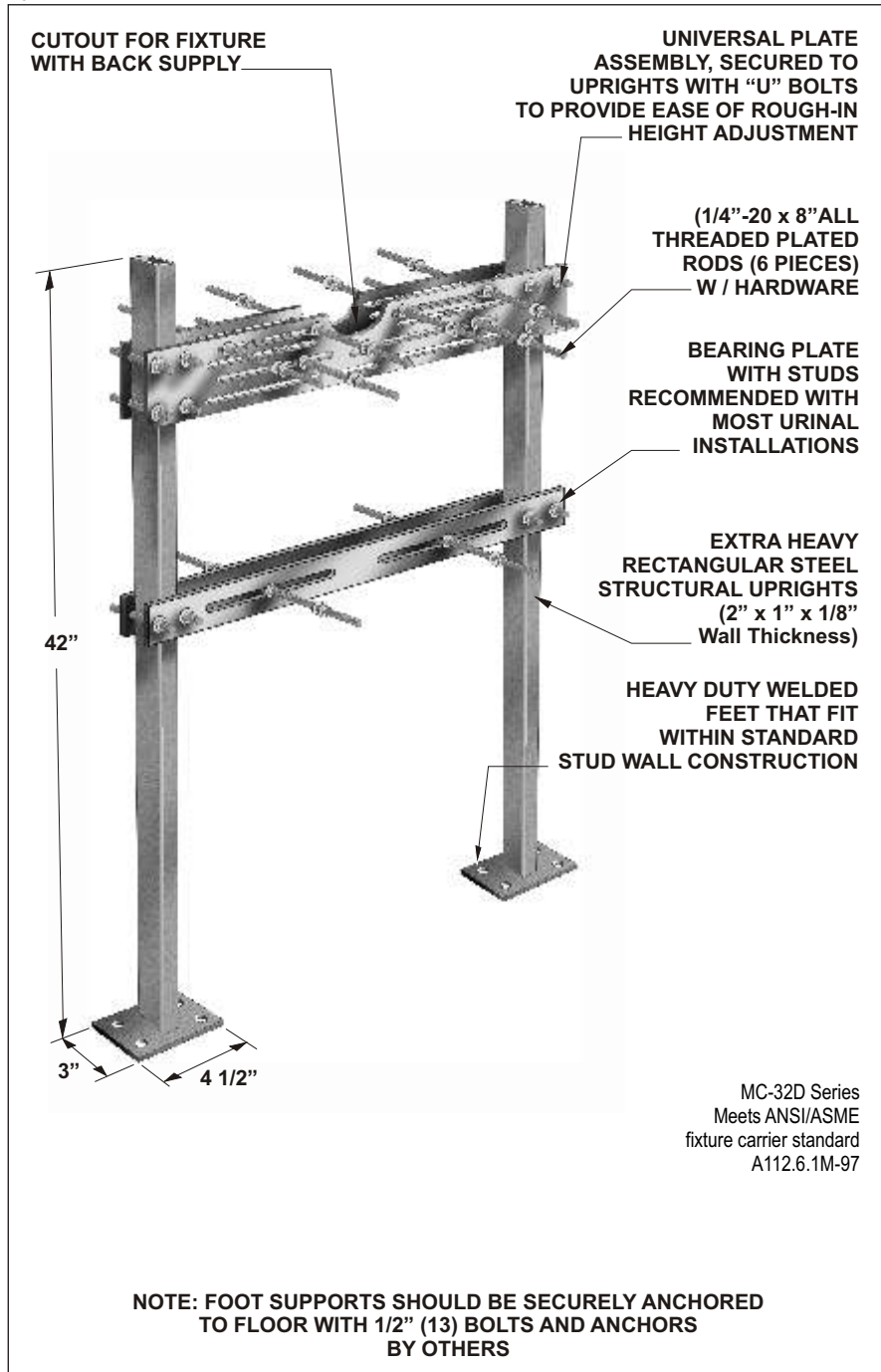


MC-32D

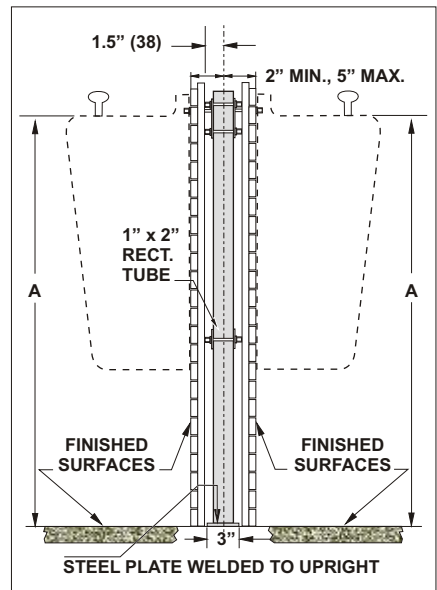
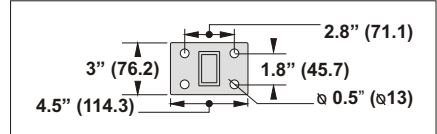
BACK TO BACK HANGER PLATE CARRIER WITH BEARING PLATES AND TWO UPRIGHTS

Specification: MIFAB® Series MC-32D hanger plate carrier with universal, adjustable, top support plates and bottom bearing plates. Complete with lacquered 2" x 1" x 1/8" thick structural steel uprights with 3" x 4 1/2" welded steel feet and mounting hardware.

Function: Used to support back to back wall-hung fixtures such as urinals and water coolers that are independent of the wall. Bottom bearing plate provides extra support for the fixture. Designed for use in conjunction with the fixture hanger plate supplied by the fixture manufacturer.



BASE DETAIL



MC-32D Series
Meets ANSI/ASME
fixture carrier standard
A112.6.1M-97

NOTE: FOOT SUPPORTS SHOULD BE SECURELY ANCHORED TO FLOOR WITH 1/2" (13) BOLTS AND ANCHORS BY OTHERS

Note: See the various fixture dimensional rough-in guides on the www.mifab.com website.

OPTIONAL VARIATIONS:

- Stud length over 8" (specify)
- Floor to ceiling uprights

SUFFIX

- A Flush valve support
- B

SUFFIX

-20

Job Name: _____	Page No: _____
Section No: _____	Contractor: _____
Schedule No: _____	Purchase Order No: _____

MIFAB reserves the right to make changes in material and design without formal notice and obligation.

USA: 1-800-465-2736 www.mifab.com CAN: 1-800-387-3880