

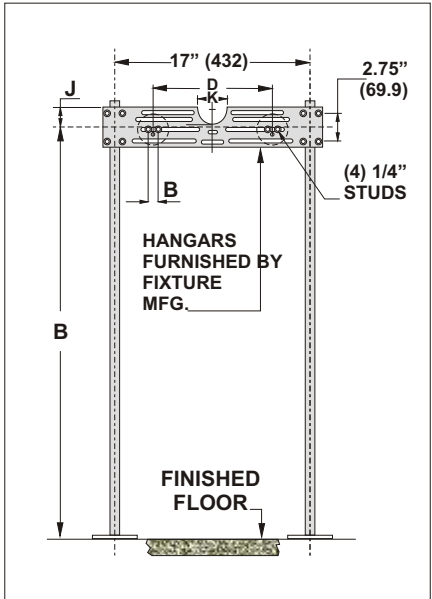
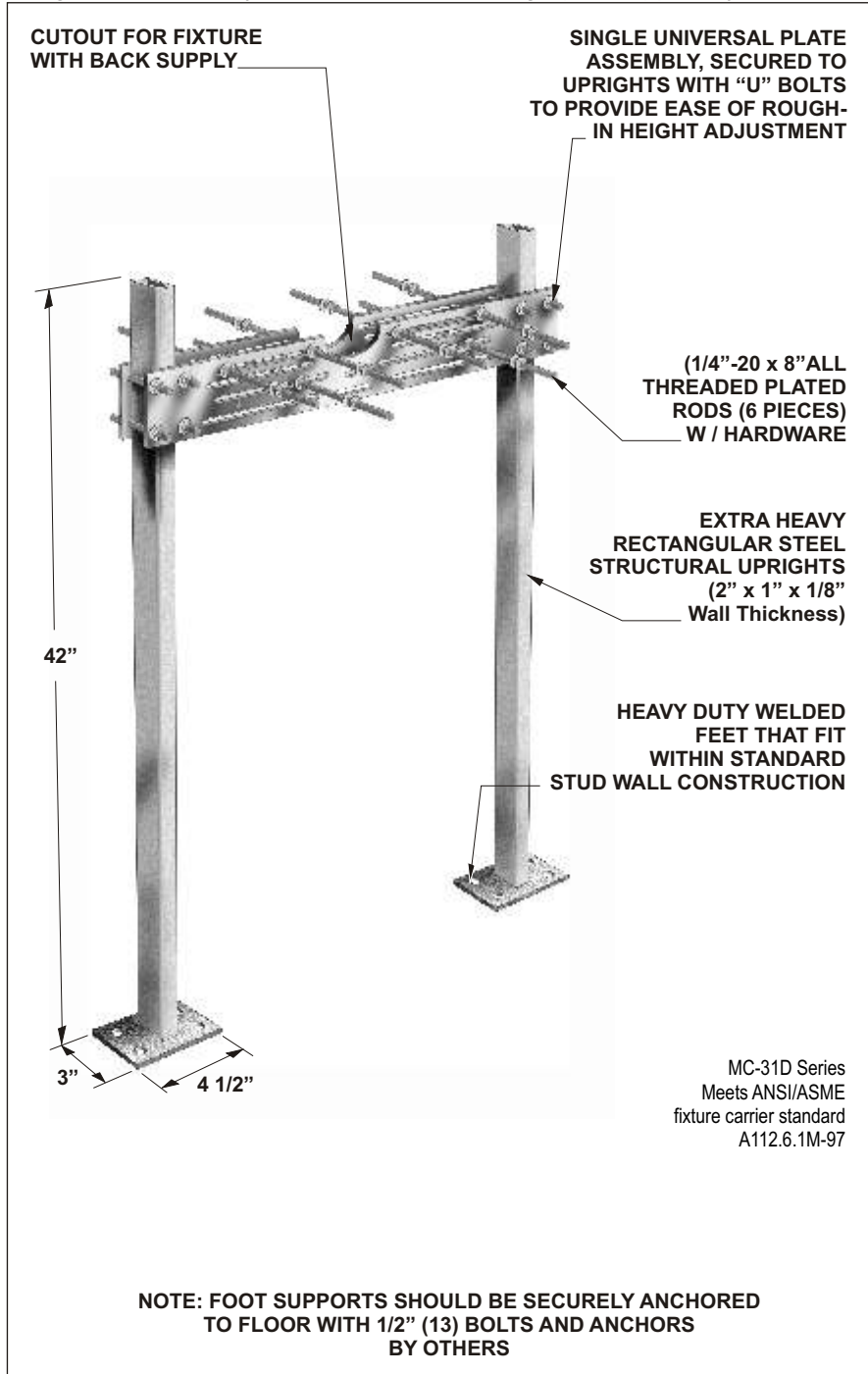


MC-31D

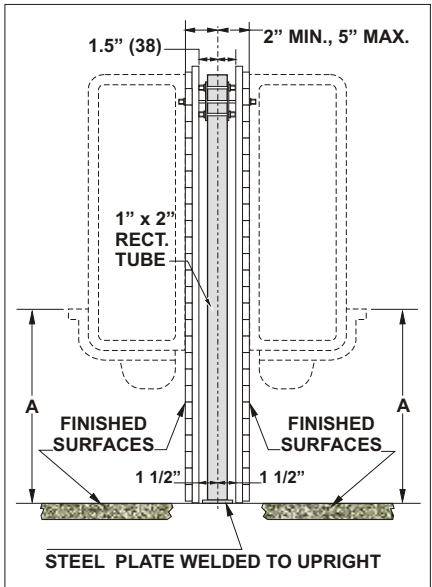
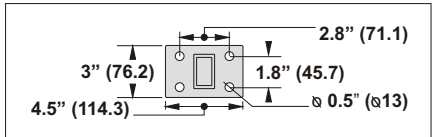
BACK TO BACK SINGLE HANGER PLATE CARRIER WITH TWO UPRIGHTS

Specification: MIFAB® Series MC-31D back to back, lavatory hanger plate carrier with universal, adjustable, top support plates. Complete with lacquered 2" x 1" x 1/8" thick structural steel uprights with 3" x 4 1/2" welded steel feet and mounting hardware.

Function: Used to support back to back wall-hung fixtures such as urinals and water coolers that are independent of the wall. Designed for use in conjunction with the fixture hangar plate supplied by the fixture manufacturer.



BASE DETAIL



MC-31D Series
Meets ANSI/ASME
fixture carrier standard
A112.6.1M-97

Note: See the various fixture dimensional rough-in guides on the www.mifab.com website.

OPTIONAL VARIATIONS:

- Stud length over 8" (specify)
- Floor to ceiling uprights

SUFFIX

- A Flush valve support
- B

SUFFIX

-20

Job Name: _____	Page No: _____
Section No: _____	Contractor: _____
Schedule No: _____	Purchase Order No: _____

MIFAB reserves the right to make changes in material and design without formal notice and obligation.

USA: 1-800-465-2736 www.mifab.com CAN: 1-800-387-3880