

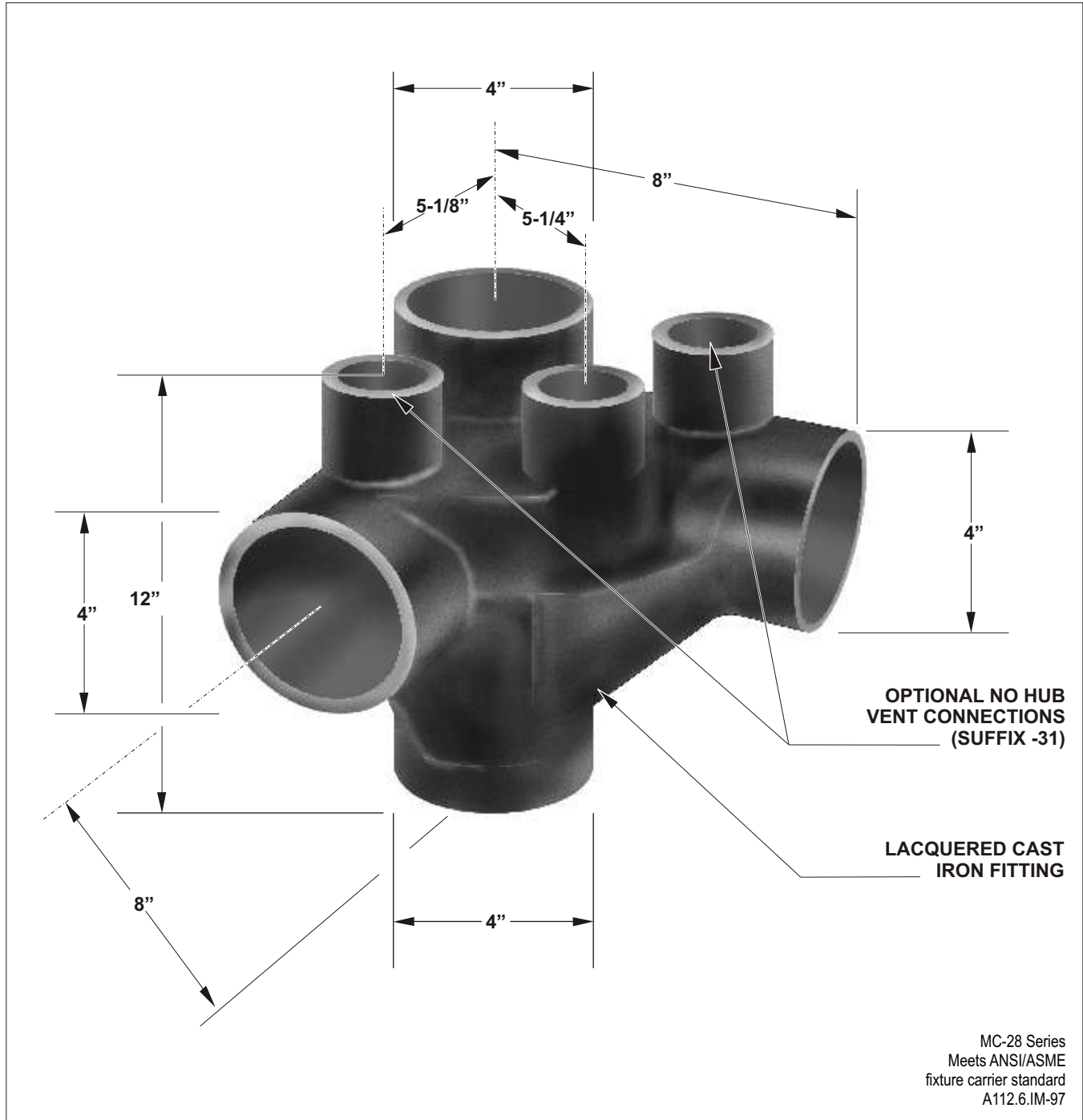


**MC-28**

**90° DOUBLE NO HUB STACK FITTING FOR FLOOR MOUNTED BACK OUTLET WATER CLOSETS**

**Specification:** MIFAB® MC-28 lacquered cast iron 90° double no hub stack fitting with 4" (102) no hub waste, 2" (51) no hub center vent connection and anti-crossover baffles for floor mounted back outlet water closets.

**Function:** Used in institutions where one stack fitting serves two rooms while providing separate vent hubs. Also typical with floor mounted, back outlet water closets installed at right angles to each other. The optional vent connections are for connection to a lavatory waste when required.



**OPTIONAL VARIATIONS:**

- Galvanized cast iron
- 45° auxiliary inlet

**SUFFIX**

- 17
- 23

- Two 2" no hub vent connections
- No hub nipple with 4" cleanout for penal fixtures

**SUFFIX**

- 31
- 32

Job Name: \_\_\_\_\_ Page No: \_\_\_\_\_  
 Section No: \_\_\_\_\_ Contractor: \_\_\_\_\_  
 Schedule No: \_\_\_\_\_ Purchase Order No: \_\_\_\_\_

MIFAB reserves the right to make changes in material and design without formal notice and obligation.

USA: 1-800-465-2736 www.mifab.com CAN: 1-800-387-3880