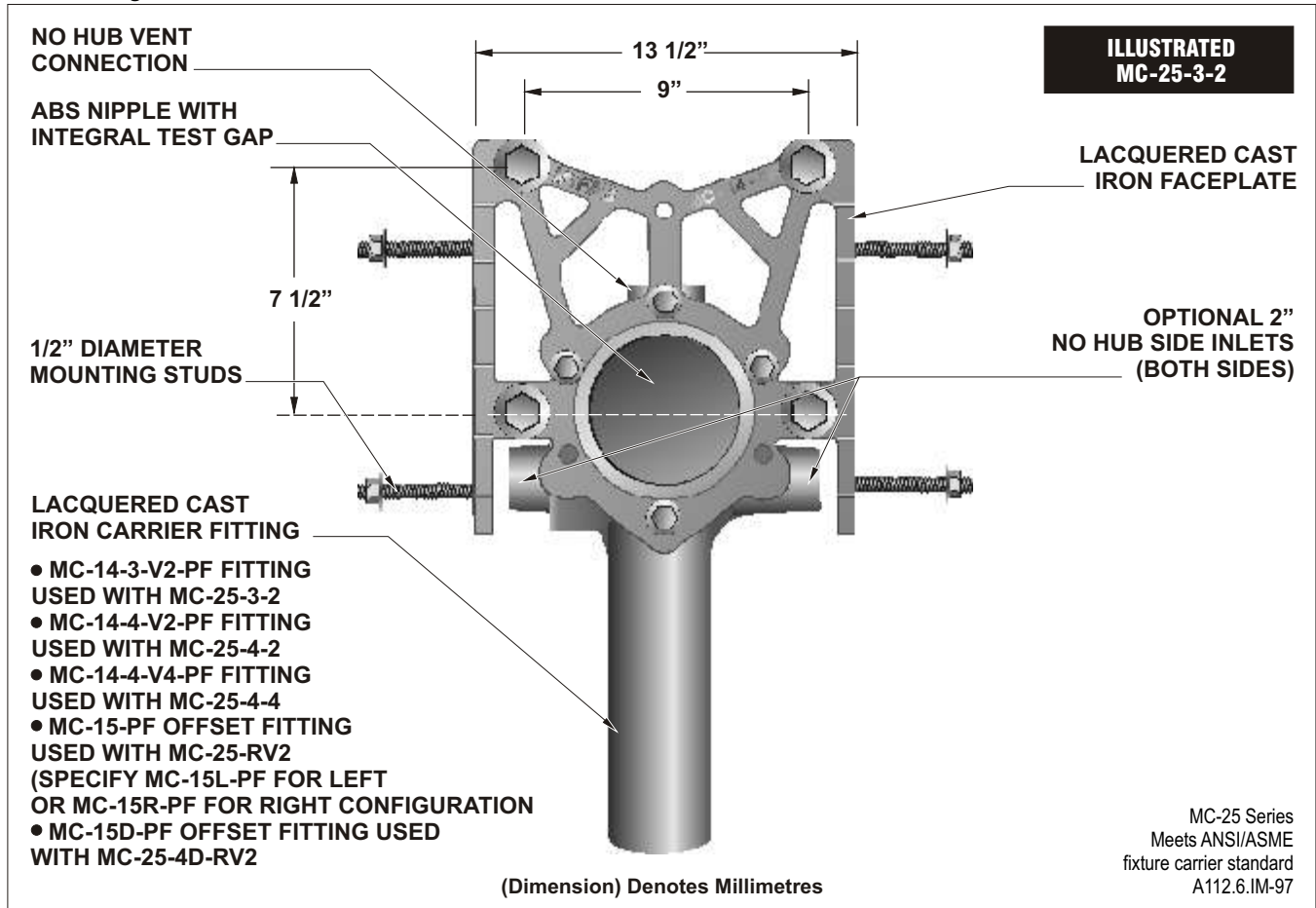


Specification: MIFAB® Series MC-25 residential water closet carrier system with lacquered cast iron no hub fitting (specify size and style), lacquered cast iron faceplate, mounting hardware, adjustable 8" tapered thread ABS nipple with integral test cap, neoprene bowl gasket and polished chrome plated finishing cap nuts.

Function: Used as a water closet carrier for floor mounted plumbing fixtures in stud wall construction. The closet carrier is complete with a vertical waste fitting and is completely concealed within the wall. The side mounting hardware bolts to the stud walls framing the carrier.



Note: For depth of MC-25 Series see MC-14 or MC-15

MODEL NUMBER CHART	
MC-25-3-2	3" no hub single, fixed vertical carrier with 2" vent connection.
MC-25-4-2	4" no hub single, fixed vertical carrier with 2" vent connection.
MC-25-4-4	4" no hub single, fixed vertical carrier with 4" vent connection.
MC-25-RV2	4" no hub single, fixed offset carrier with 2" vent connection.
MC-25-4D-RV2	4" no hub back to back, fixed offset carrier with 2" vent connection.

OPTIONAL VARIATIONS:

- 8" ABS nipple with adjustable horn
- 12" ABS nipple with adjustable horn
- 4" rolling thread cast iron nipple
- 6" rolling thread cast iron nipple
- 8" rolling thread cast iron nipple
- 12" rolling thread cast iron nipple
- 24" rolling thread cast iron nipple
- Extra heavy duty 500 lb. load rated carrier
- 4" no hub waste connection (with MI-850-4)
- 4" F.I.P. threaded waste connection

SUFFIX

- AH8
- AH12
- CI-4
- CI-6
- CI-8
- CI-12
- CI-24
- HD
- N
- T

- Finishing / Tiling frame

- Auxiliary support, recommended with nipple lengths over 12" -10
- 12" tapered thread ABS nipple -12
- Test plug for custom and C.I. nipples -13
- Vandal proof finish trim -14
- Galvanized cast iron -17
- Nipple wrench -19
- Flush valve support -20

SUFFIX

- 1
- 10
- 12
- 13
- 14
- 17
- 19
- 20

Job Name: _____	Page No: _____
Section No: _____	Contractor: _____
Schedule No: _____	Purchase Order No: _____