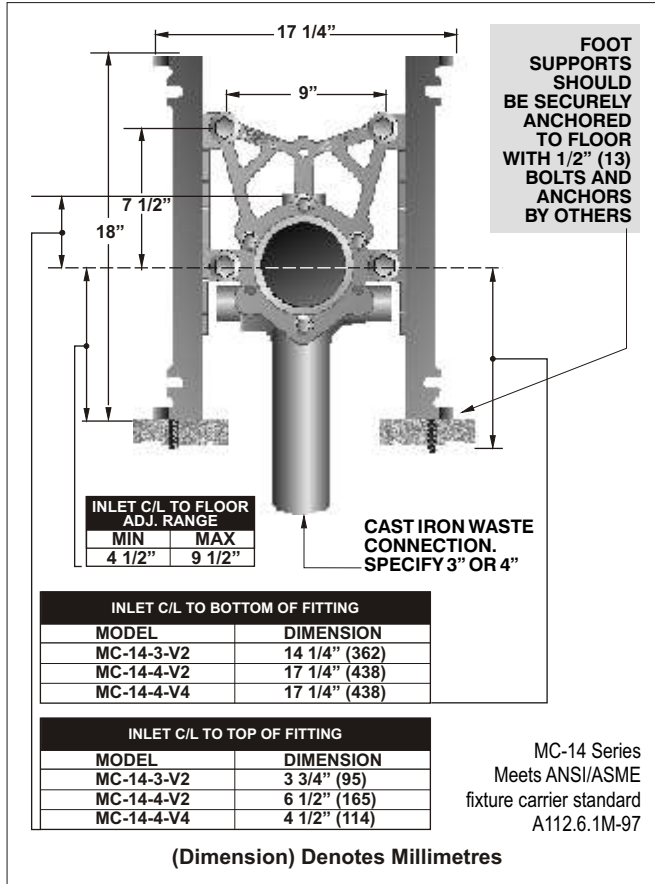


Specification: MIFAB® Series MC-14 single, vertical, fixed, water closet carrier with lacquered cast iron fitting, 3" (76) or 4" (102) no hub waste (specify), 2" (51) or 4" (102) no hub vent connection (specify), lacquered cast iron faceplate, universal floor mounted cast iron foot supports, adjustable 8" tapered thread ABS nipple with integral test cap, neoprene bowl gasket, hardware, threaded rod protectors, polished chrome plated finishing cap nuts and rear anchor tie down support.

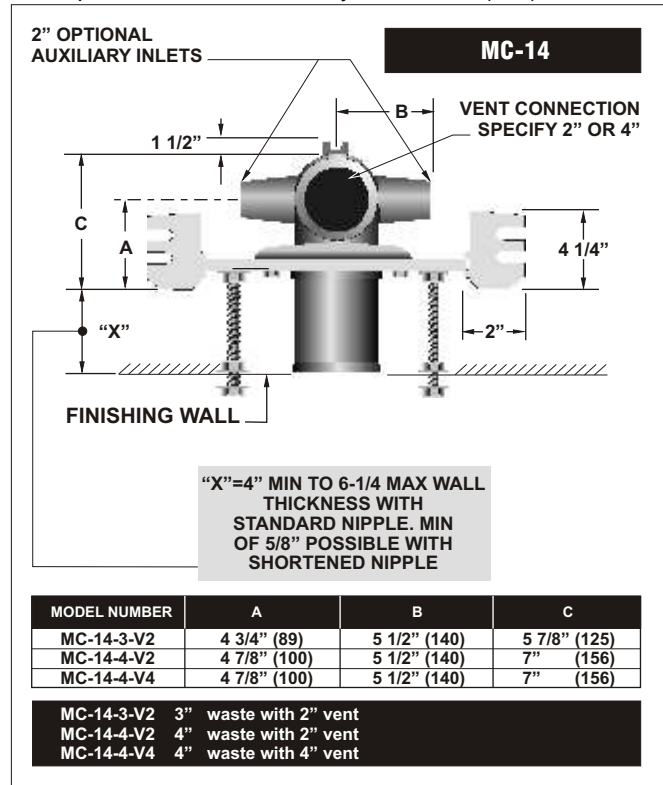
Function: Used with single water closets installed with the waste line below the floor slab. Common in hospitals, extended living and other facilities that have one water closet in each room. Can also be used within a horizontal battery of MC-10 fixture carriers if pipe space is limited and the horizontal wasteline can be installed below the floor slab. Typical for off the floor plumbing fixtures that are wall mounted and have no contact with the finished floor. The closet carrier is completely concealed within the wall and supports the load of the fixture through a faceplate and foot support system that is anchored to the floor. Sanitation underneath the fixture is more efficiently and economically maintained when installed off of the floor compared to floor mounted.

Note: 8 1/2" (216) minimum space required between front of foot and rear of anchor support with 4" (102) waste fittings and 7 3/8" (187) required with 3" waste fittings.

Note: Foot supports and faceplate are assembled at the factory before shipment in the typical siphon jet water closet configuration and are reversible for the blowout water closet design.



Note: 8" tapered thread ABS nipple shipped standard with MC-14 Series carriers. The universal faceplate assembly accepts all nipple variations, rolling thread (-OR), cast iron (-CI) and tapered thread ABS with adjustable horn (-AH).



OPTIONAL VARIATIONS:

- 8" ABS nipple with adjustable horn
- 12" ABS nipple with adjustable horn
- 4" rolling thread cast iron nipple
- 6" rolling thread cast iron nipple
- 8" rolling thread cast iron nipple
- 12" rolling thread cast iron nipple
- 24" rolling thread cast iron nipple
- Extra heavy duty 500 lb. load rated carrier
- Hub and spigot connection
- 8" rolling thread ABS nipple
- 12" rolling thread ABS nipple
- 2" no hub vent connection
- 4" no hub vent connection

SUFFIX

- AH8
- AH12
- CI-4
- CI-6
- CI-8
- CI-12
- CI-24
- HD
- HS
- OR8
- OR12
- V2
- V4

SUFFIX

- Finishing / Tiling frame -1
- 3" no hub waste connection -3
- 4" no hub waste connection -4
- Auxiliary support, recommended with nipple lengths over 12" -10
- 12" tapered thread ABS nipple -12
- Test plug for custom and cast iron nipples -13
- Vandal proof finish trim -14
- Galvanized cast iron -17
- Nipple wrench -19
- Flush valve support -20
- 2" Auxiliary inlet, right side -25
- 2" Auxiliary inlet, left side -26
- Two 2" Auxiliary inlets -31

Job Name: _____	Page No: _____
Section No: _____	Contractor: _____
Schedule No: _____	Purchase Order No: _____