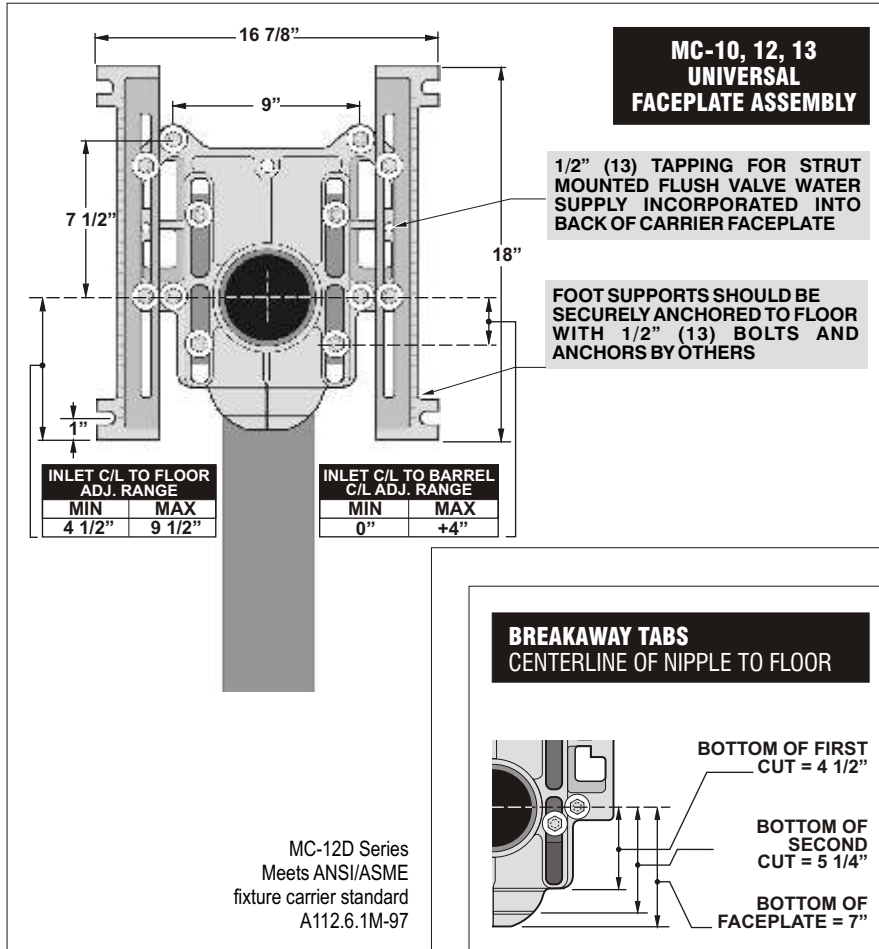


Specification: MIFAB® Series MC-12D double, vertical, adjustable water closet carrier with lacquered cast iron fitting, 4" (102) no hub waste, 2" (51) no hub vent connection, lacquered cast iron gasketed adjustable faceplates, universal floor mounted cast iron foot supports, adjustable 8" tapered thread ABS nipples with integral test caps, neoprene bowl gaskets, hardware, threaded rod protectors and polished chrome plated finishing cap nuts.

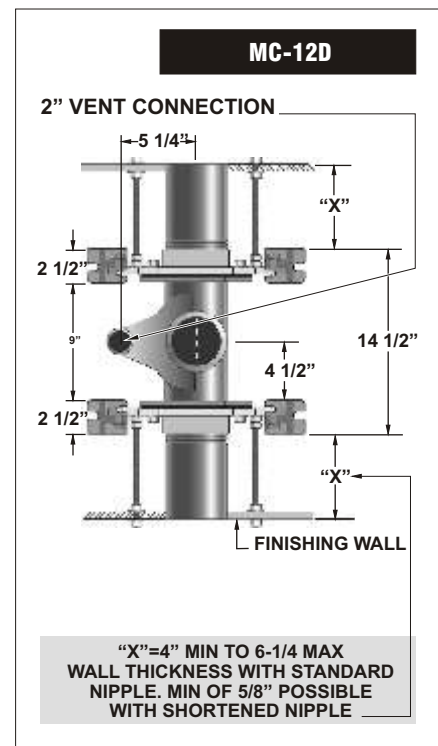
Function: Used when through the slab pipe connection is required with back to back water closets installed on a common stack. Adjustable faceplate design permits installer to set water closets to the desired height from the finished floor, relative to the position of the vertical carrier fitting within the stack system. Typical for off the floor plumbing fixtures that are wall mounted and have no contact with the finished floor. The closet carrier is completely concealed within the wall and supports the load of the fixtures through a faceplate and foot support system that is anchored to the floor. Sanitation underneath the fixtures is more efficiently and economically maintained when installed off of the floor compared to floor mounted.

Note: 14 1/2" (368) minimum space required front of foot supports. 9" (229) minimum in wall space required between back of in wall foot supports.

Note: Foot supports and faceplate are assembled at the factory before shipment in the typical siphon jet water closet configuration and are reversible for the blowout water closet design.



Note: 8" tapered thread ABS nipple shipped standard with MC-12D Series carriers. The universal faceplate assembly accepts all nipple variations, rolling thread (-OR), cast iron (-CI) and tapered thread ABS with adjustable horn (-AH).



OPTIONAL VARIATIONS:

- 8" ABS nipple with adjustable horn
- 12" ABS nipple with adjustable horn
- 4" rolling thread cast iron nipple
- 6" rolling thread cast iron nipple
- 8" rolling thread cast iron nipple
- 12" rolling thread cast iron nipple
- 24" rolling thread cast iron nipple
- Extra heavy duty 500 lb. load rated carrier
- Hub and spigot connection
- 8" rolling thread ABS nipple
- 12" rolling thread ABS nipple

SUFFIX

- AH8
- AH12
- CI-4
- CI-6
- CI-8
- CI-12
- CI-24
- HD
- HS
- OR8
- OR12

- Finishing / Tiling frame
- Auxiliary support, recommended with nipple lengths over 12"
- 12" tapered thread ABS nipple
- Test plug for custom and cast iron nipples
- Vandal proof finish trim
- Galvanized cast iron
- Nipple wrench
- Flush valve support

SUFFIX

- 1
- 10
- 12
- 13
- 14
- 17
- 19
- 20

Job Name: _____ Page No: _____

Section No: _____ Contractor: _____

Schedule No: _____ Purchase Order No: _____