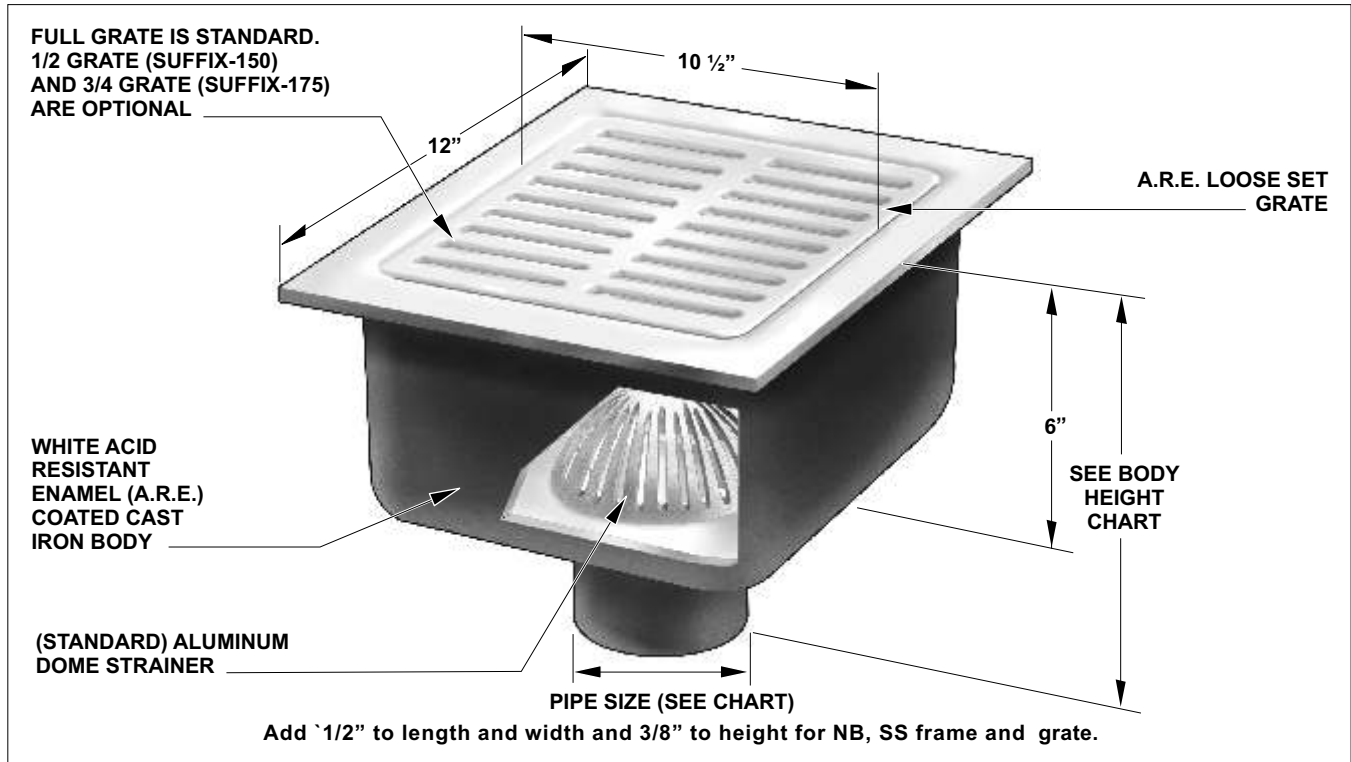


Specification: MIFAB® Series FS720, 12" x 12" x 6" deep cast iron floor area and indirect sanitary waste drain complete with white acid resistant porcelain enamel coated interior and loose set grate. Anti-splash aluminum dome strainer included.

Function: Used in kitchens, restaurants, grocery stores, hospitals, schools, and other areas that require a large volume sanitary drain. The light duty grate is not recommended for foot traffic.



PIPE SIZE	BODY HEIGHT				
	NO HUB (STANDARD)	PUSH ON (P)	THREADED (T)	INSIDE CAULK (X)	PVC/ABS (-30)/(-31)
2" (51)	8 5/8" (219)	9 1/8" (232)	8 1/8" (206)	8 5/8" (219)	9 5/8" (245)
3" (76)	8 5/8" (219)	9 1/8" (232)	8 1/2" (216)	8 5/8" (219)	9 5/8" (245)
4" (102)	8 5/8" (219)	9 1/8" (232)	8 1/2" (216)	8 5/8" (219)	9 5/8" (245)
5" (127)	8 5/8" (219)	-	8 1/2" (216)	8 5/8" (219)	-
6" (152)	9 1/8" (232)	10 1/2" (267)	-	-	-

- | | | | |
|---|---------------|---|---|
| OPTIONAL VARIATIONS: | SUFFIX | SUFFIX | SUFFIX |
| <input type="checkbox"/> Nickel bronze rim and grate | -1 | <input type="checkbox"/> Stainless steel body (Type 316) | <input type="checkbox"/> 3/4 grate |
| <input type="checkbox"/> Stainless steel rim and extra heavy duty grate | -3 | see FS1920 | -175 |
| <input type="checkbox"/> Sediment bucket | -5 | <input type="checkbox"/> PVC socket connection body | <input type="checkbox"/> No hub outlet |
| <input type="checkbox"/> White A.R.E. coated aluminum sediment bucket | -5-80 | -30 | (standard) |
| <input type="checkbox"/> Security screws (1, -3 only, T-20 torx and pin) | -6 | <input type="checkbox"/> ABS socket connection body | <input type="checkbox"/> 4" round funnel |
| <input type="checkbox"/> 1/2" trap seal primer connection | -7 | -31 | -F4 |
| <input type="checkbox"/> Backwater valve (2", 3", 4") | -8 | <input type="checkbox"/> Trap with flushing connection | <input type="checkbox"/> 6" round funnel |
| <input type="checkbox"/> Hinged grate (-1, -3 only) | -9 | -32 | -F6 |
| <input type="checkbox"/> Secondary flat stainless steel strainer (2", 3", 4") | -21 | <input type="checkbox"/> Garbage can wash assembly | <input type="checkbox"/> Anchor flange |
| <input type="checkbox"/> Less grate | -22 | -36 | -FL |
| <input type="checkbox"/> Stainless steel body (Type 304) see FS1920 | | <input type="checkbox"/> A.R.E. coated cast iron funnel | <input type="checkbox"/> Anchor flange and membrane clamp with hardware |
| | | -50 | -FLC |
| | | <input type="checkbox"/> 2 1/2" square center hole in full grate | <input type="checkbox"/> 4" x 9" oval funnel |
| | | -51 | -G |
| | | <input type="checkbox"/> Stainless steel mesh screen over sediment bucket | <input type="checkbox"/> 6" x 3" x 1" oval funnel |
| | | -83 | -J |
| | | <input type="checkbox"/> Threaded side outlet (2", 3", 4") | <input type="checkbox"/> Less aluminum dome strainer |
| | | -90 | -LD |
| | | <input type="checkbox"/> No hub side outlet (2", 3", 4")-90NH | <input type="checkbox"/> Push on outlet |
| | | -95 | P |
| | | <input type="checkbox"/> Client logo (-1, -3 only) | <input type="checkbox"/> Threaded outlet |
| | | -150 | T |
| | | <input type="checkbox"/> 1/2 grate | <input type="checkbox"/> Inside caulk outlet |
| | | | X |
| | | | <input type="checkbox"/> Extended wide elastomeric flange |
| | | | -Z |

Job Name: _____	Page No: _____
Section No: _____	Contractor: _____
Schedule No: _____	Purchase Order No: _____