

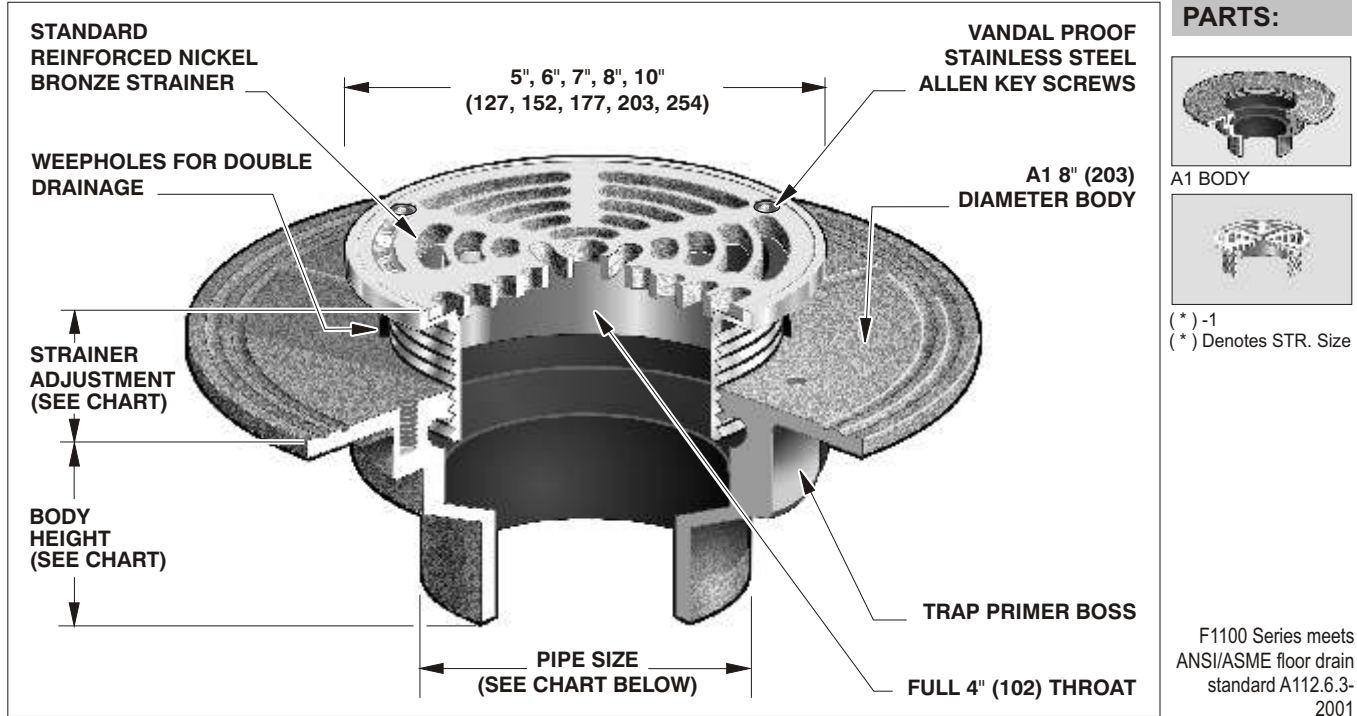


F1100

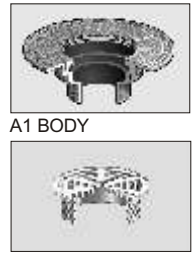
FLOOR DRAIN FOR NON-MEMBRANE FLOOR AREAS

Specification: MIFAB® Series F1100 (*)-1 (* specify strainer diameter) lacquered cast iron floor drain with anchor flange, and standard satin finished nickel bronze strainer with vandal proof stainless steel allen key screws. (For membrane floors, add -C to the Series number).

Function: Used in showers, kitchens, restrooms, and other non-membrane finished areas. Round adjustable nickel bronze strainer is used for all types of poured finished floors.



PARTS:



A1 BODY
 (*) -1
 (*) Denotes STR. Size

F1100 Series meets ANSI/ASME floor drain standard A112.6.3-2001

Metric equivalents see chart below. (Dimension) Denotes Millimetres

STRAINER DIAMETER	STRAINER ADJUSTMENT		ANSI/ASME RATING		PIPE SIZE	BODY HEIGHT				
	MIN	MAX	FREE AREA	LOAD RATING		NO HUB (STANDARD)	PUSH ON (P)	THREADED (T)	INSIDE CAULK (X)	PVC/ABS (-30)/(-31)
5" (127)	1/2" (13)	1 1/2" (38)	8 in ² (5200 ²)	UP TO 2000 LBS. OVER 10000 LBS.	2" (51)	2 3/4" (70)	3 3/8" (86)	2 1/4" (57)	3 3/4" (95)	2 15/16" (75)
6" (152)	11/16" (17)	1 1/2" (38)	9 in ² (5800 ²)	UP TO 2000 LBS. —	3" (76)	2 3/4" (70)	3 3/8" (86)	2 5/8" (67)	3 3/4" (95)	3 3/4" (95)
7" (177)	9/16" (14)	1 9/16" (40)	12 in ² (7700 ²)	UP TO 2000 LBS. —	4" (102)	2 3/4" (70)	3 3/8" (86)	2 5/8" (67)	3 3/4" (95)	3 3/4" (95)
8" (203)	1 1/16" (17)	2 1/4" (57)	18 in ² (11600 ²)	UP TO 2000 LBS. OVER 10000 LBS.	5" (127)	2 3/4" (70)	—	2 5/8" (67)	3 3/4" (95)	—
10" (254)	1 1/16" (17)	2 1/4" (57)	26 in ² (17170 ²)	UP TO 2000 LBS. —	6" (152)	3 1/4" (83)	4 3/4" (121)	—	—	—

OPTIONAL VARIATIONS:

- Nickel bronze strainer (standard) -1
- Polished brass strainer (5" only) -2
- Stainless steel strainer -3
- 3M epoxy finish -3M
- Ductile iron strainer (5", 8" only) -4
- Sediment bucket -5
- Security screws (T-20 torx & pin) -6
- 1/2" trap seal primer connection -7
- Backwater valve (2", 3", 4") -8
- Acid resistant epoxy coating -11
- All galvanized -13
- Extension -15
- Secondary flat stainless steel strainer (2", 3", 4") -21

SUFFIX

- Solid stainless steel strainer (Type 304-shank and grate) -26
- Bronze body -27
- Stainless steel body (type 304) -28
- Stainless steel body (type 316) -29
- PVC socket connection body -30
- ABS socket connection body -31
- Closure plug -34
- Underdeck clamp -40
- Sump receiver -41
- Chrome plated strainer assembly -49
- Lacquered cast iron funnel -50
- Threaded side outlet (2", 3", 4") -90

SUFFIX

- No hub side outlet (2", 3", 4") -90NH
- Client logo -95C
- Membrane clamp (min. 1 9/16" (40)) -C
- Clamp ring for low rough-in (min. 1/2" (13)) -C1
- 4" Round funnel -F4
- 6" Round funnel -F6
- Oval 4" x 9" funnel -G
- 6" x 3" x 1" funnel -J
- No hub outlet (Standard)
- Push on outlet P
- Threaded outlet (2", 3", 4") T
- Inside caulk outlet X
- Extended wide elastomeric flange-Z

Job Name: _____ Page No: _____
 Section No: _____ Contractor: _____
 Schedule No: _____ Purchase Order No: _____

MIFAB reserves the right to make changes in material and design without formal notice and obligation.