



F1100C-AS

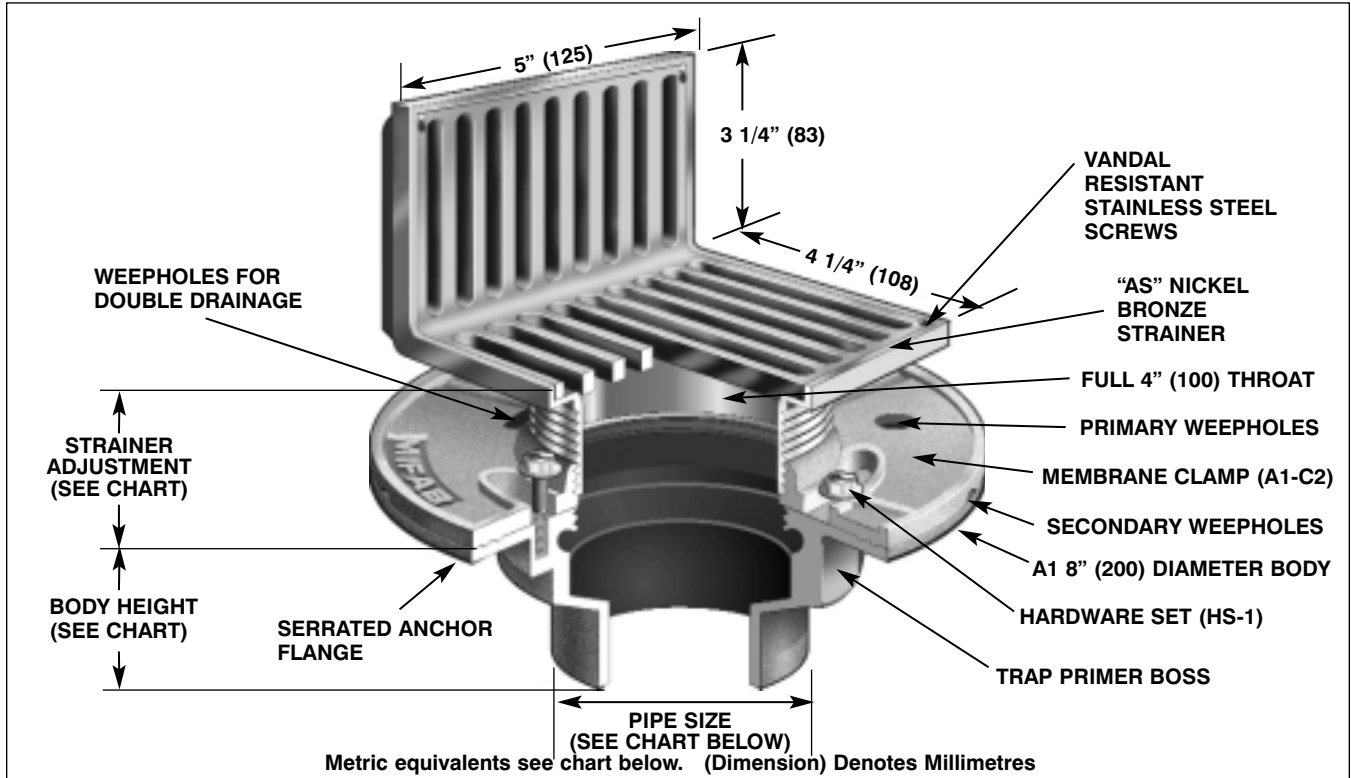
FLOOR DRAIN WITH ANGLE STRAINER FOR MEMBRANE FLOOR AREAS

Internet address: www.mifab.com

Toll Free: 1-800-465-2736

Canada Toll Free: 1-800-387-3880

SPECIFICATION: MIFAB Series F1100C-AS-1 lacquered cast iron floor drain with anchor flange, cast iron membrane clamp ring with primary and secondary weepholes for waterproofing membrane, and "AS" angle satin finished nickel bronze strainer. (For non-membrane floors, use MIFAB F1100-AS Series).



STRAINER SIZE	STRAINER ADJUSTMENT		ANSI/ASME RATING		PIPE SIZE	NO HUB	BODY HEIGHT		
	MIN	MAX	FREE AREA	LOAD RATING N.B. (-1)			PUSH ON (P)	THREADED (T)	INSIDE CAULK (X)
5" x 3 1/4" x 4 1/4" (125) x (83) x (108)	1 7/8" (48)	3" (75)	30.0 in ² (19354 ²)	UP TO 2,000 LBS.	2" (50)	2 3/4" (70)	3 3/8" (86)	2 1/4" (57)	2 3/4" (70)
					3" (75)	2 3/4" (70)	3 3/8" (86)	2 5/8" (67)	2 3/4" (70)
					4" (100)	2 3/4" (70)	3 3/8" (86)	2 5/8" (67)	2 3/4" (70)
					6" (150)	3 1/4" (83)	—	—	—

OPTIONAL VARIATIONS:

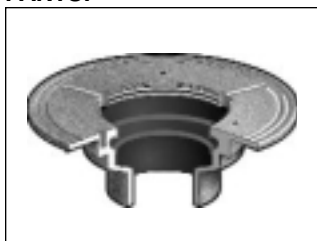
- Nickel bronze
- Stainless steel strainer**
- 3M epoxy finish
- Sediment bucket
- Vandal proof
- Trap seal primer tapping
- Backwater valve
- Acid resistant epoxy coating
- All galvanized
- Extension
- Bronze body

- suffix -1
- suffix -3
- suffix -3M
- suffix -5
- suffix -6
- suffix -7
- suffix -8
- suffix -11
- suffix -13
- suffix -15
- suffix -27

- Stainless steel body (type 304)
- Stainless steel body (type 316)
- PVC socket connection body**
- ABS socket connection body**
- Closure plug
- Deck clamp
- Sump receiver
- Threaded side outlet
- Client logo
- Clamp ring for low rough-in (min. 1/2" (13))
- Push on outlet
- Threaded outlet
- Inside caulk outlet

- suffix -28
- suffix -29
- suffix -30
- suffix -31
- suffix -34
- suffix -40
- suffix -41
- suffix -90
- suffix -95
- suffix C1
- suffix P
- suffix T
- suffix X

PARTS:



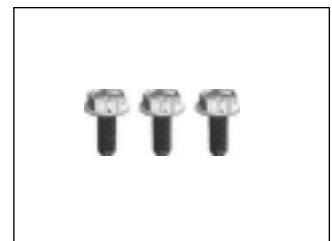
A1 BODY



AS-1



A1-C2



HS-1