



STANDARD SIZES (special sizes available upon request)

DOOR SIZE		WALL OPENING		SHIPPING WEIGHT		LATCHES
Inches	mm	Inches	mm	lbs.	kg.	
6 x 6	152 x 152	6 3/8 x 6 3/8	162 x 162	1.3	.58	1
8 x 8	203 x 203	8 3/8 x 8 3/8	213 x 213	1.9	.86	1
10 x 10	254 x 254	10 3/8 x 10 3/8	264 x 264	2.6	1.18	1
12 x 12	305 x 305	12 3/8 x 12 3/8	314 x 314	3.3	1.56	1
14 x 14	356 x 356	14 3/8 x 14 3/8	365 x 365	4.2	1.91	1
16 x 16	406 x 406	16 3/8 x 16 3/8	416 x 416	5.1	2.32	1
18 x 18	457 x 457	18 3/8 x 18 3/8	466 x 466	6.2	2.82	1
24 x 24	610 x 610	24 3/8 x 24 3/8	619 x 619	9.8	4.45	1

SERIES EA

ECONOMY ACCESS DOOR

DESCRIPTION

The MIFAB® EA is a multi-purpose access door. It is designed for flush installation into drywall, block or tile walls and ceilings. Frame features rounded safety corners, concealed hinge, flush with frame fit, and a 1/4" turn back in the door panel for extra rigidity and safety

SPECIFICATIONS

Material EA Series is 20 gauge satincoat steel door and 20 gauge satincoat steel frame.

Finish EA doors are unfinished satin coat steel with no primer.

Door Flush to frame. Turned back around edges for extra rigidity.

Frame The frame has pre-punched mounting holes for simple installation and fold away tabs for drywall installation.

Hinge Concealed pivot pins.

Latch Standard - Flush mounted, screwdriver operated cam. Optional - Allen key, cylinder key. All of MIFAB's cylinder key locks are keyed alike.

Packaging bulk cartons.

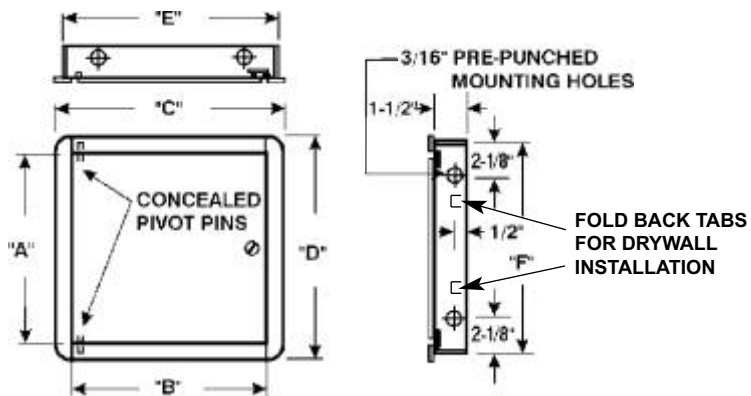
OPTIONAL VARIATIONS: SUFFIX

- Allen key lock -A
- Cylinder key lock -C

A-B Door Size

C-D Overall Dimensions - Door Size - Plus 2 1/8"

E-F Wall Opening - Door Size - Plus 3/8"



Job Name: _____
 Section No: _____
 Schedule No: _____

Page No: _____
 Contractor: _____
 Purchase Order No: _____