



HORIZONTAL AND VERTICAL ADJUSTABLE/FIXED CLOSET CARRIER MINIMUM SPACE REQUIREMENTS*

Internet address: www.mifab.com

Toll Free: 1-800-465-2736

Canada Toll Free: 1-800-387-3880

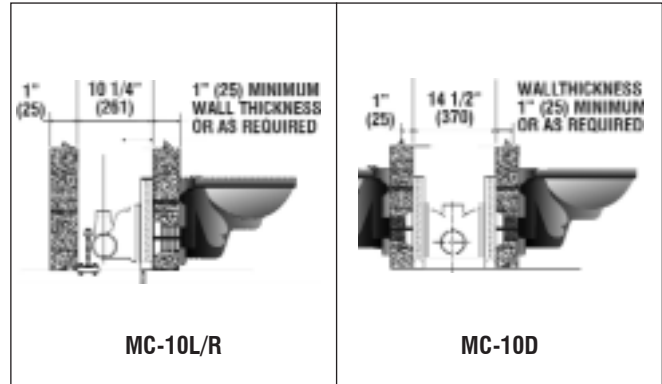
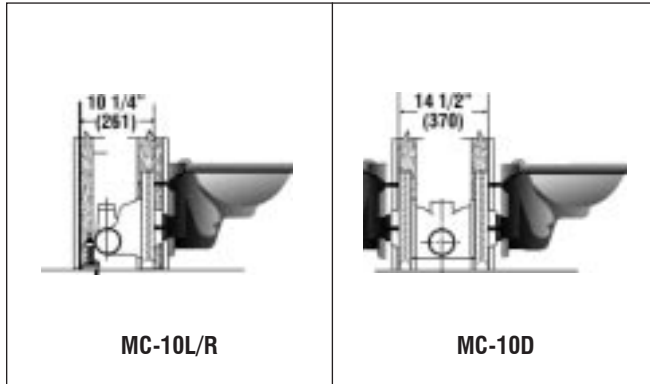
DIMENSIONS SHOWN ARE MINIMUM ASSUMING CARRIER FACE PLATE AND FOOT ARE BUILT IN WALL AND MINIMUM LENGTH SHORTENED COUPLING IS USED.

DIMENSIONS SHOWN ARE MINIMUM ASSUMING CARRIER-FITTING, FACE PLATE, FOOT AND REAR ANCHOR FOOT ARE LOCATED IN PIPE CHASE

HORIZONTAL ADJUSTABLE CARRIERS

IN WALL

IN PIPE CHASE

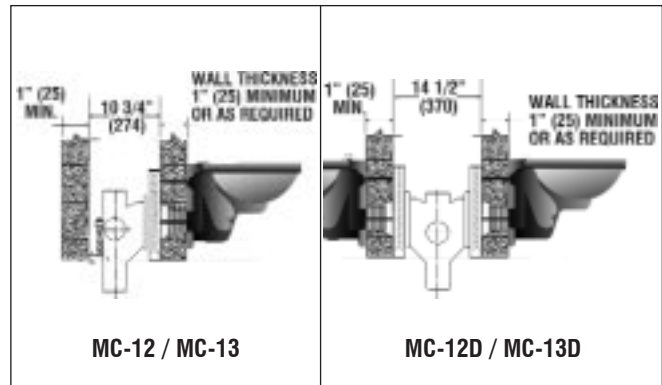
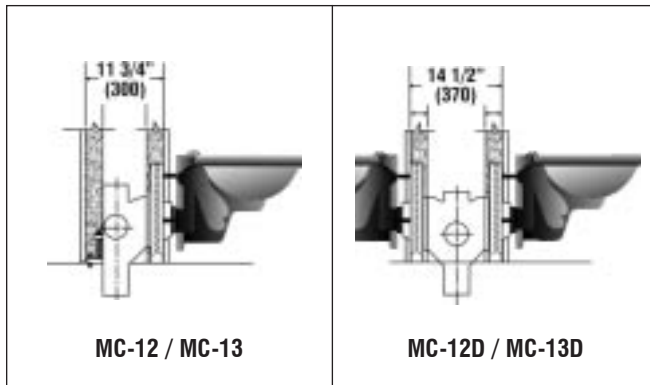


*(DIMENSIONS SHOWN ARE LESS DRYWALL THICKNESS)

VERTICAL ADJUSTABLE CARRIERS

IN WALL

IN PIPE CHASE

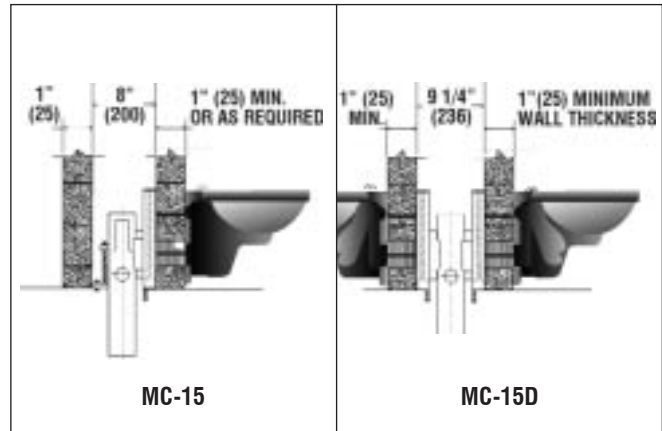
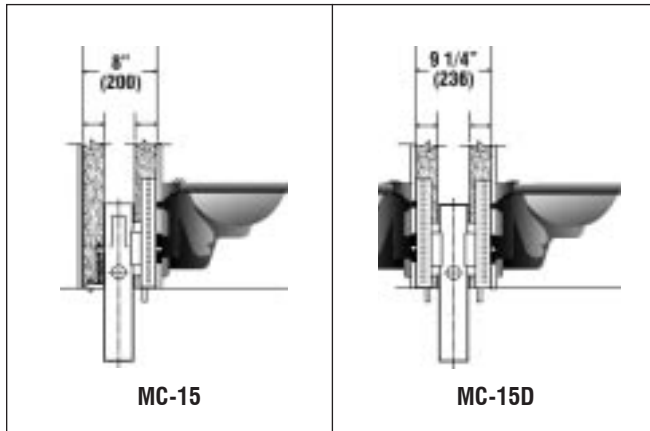


*(DIMENSIONS SHOWN ARE LESS DRYWALL THICKNESS)

VERTICAL FIXED OFFSET CARRIERS

IN WALL

IN PIPE CHASE

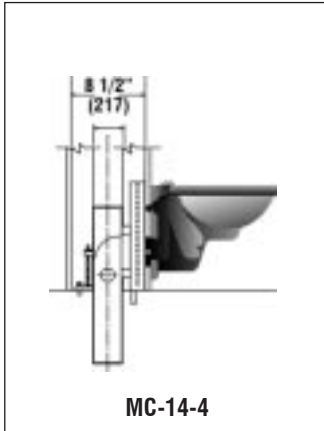


*(DIMENSIONS SHOWN ARE LESS DRYWALL THICKNESS)

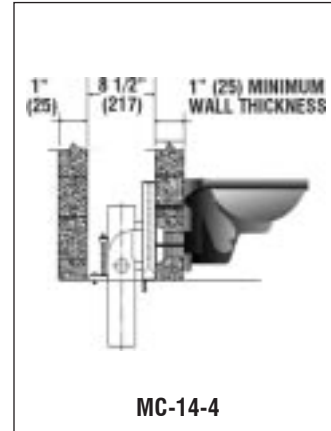
(Dimension) Denotes Millimetres

VERTICAL FIXED CLOSET CARRIERS

IN WALL



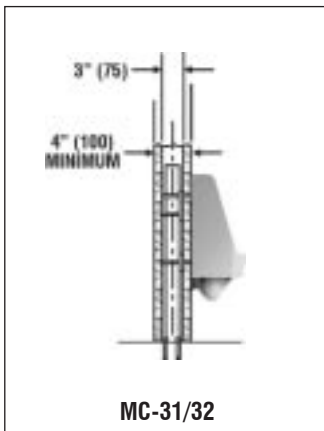
IN PIPE CHASE



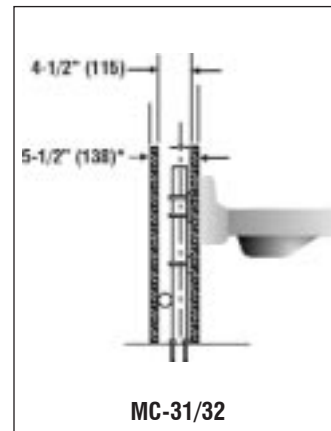
*(DIMENSIONS SHOWN ARE LESS DRYWALL THICKNESS)

HANGAR PLATE CARRIERS

DRYWALL

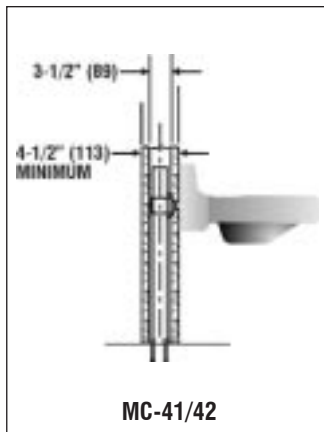


CONCRETE OR BLOCK

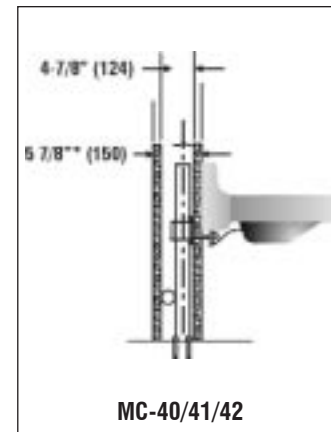


ARM LAVATORY CARRIERS

DRYWALL



CONCRETE OR BLOCK



* NOTE: CONCEALED FLUSH VALVE PIPING AND ANY OTHER SUPPLY OR VENT PIPING SPECIAL ARRANGEMENTS MAY REQUIRE MODIFICATION OF THESE MINIMUM DIMENSIONS.

* WITH PROVISION FOR WASTE PIPE

(Dimension) Denotes Millimetres