



# C1400

## WALL ACCESS COVERS

Internet address: [www.mifab.com](http://www.mifab.com)

Toll Free: 1-800-465-2736

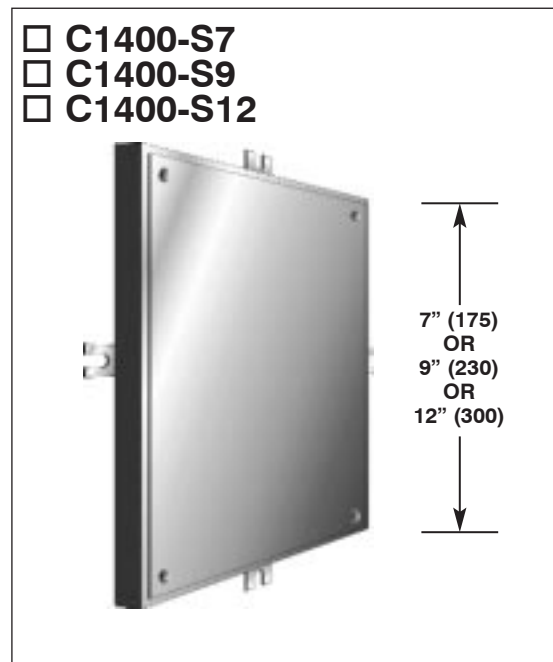
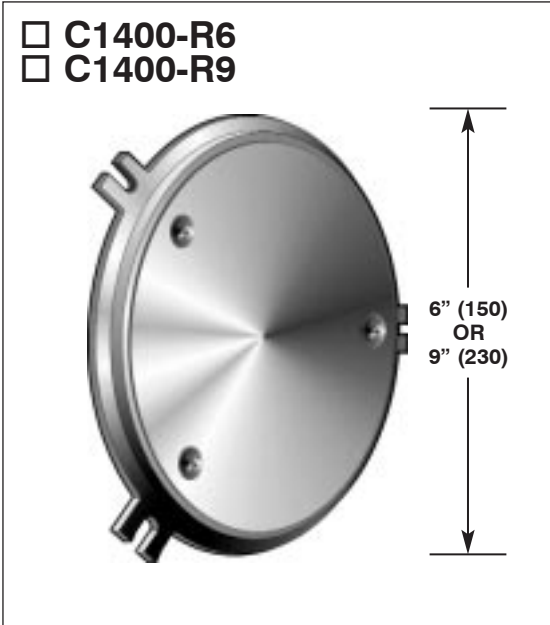
Canada Toll Free: 1-800-387-3880

### SPECIFICATIONS:

**C1400-R:** MIFAB Series C1400-R round, smooth access cover and frame. (Specify R6 (6") or R9 (9")).

**C1400-RD:** MIFAB Series C1400-RD round, smooth access cover and 3 1/2" (89) long anchor screw. (specify cover size).

**C1400-S:** MIFAB Series C1400-S square, smooth nickel bronze access cover and frame. (Specify S7 (7"), S9 (9") or S12 (12")).



### OPTIONAL VARIATIONS:

FOR C1400-R ONLY:	FOR C1400-RD ONLY:	FOR C1400-S ONLY:
<input type="checkbox"/> Stainless steel cover      suffix -3 <input type="checkbox"/> Vandal proof                      suffix -6 <input type="checkbox"/> Client logo                              suffix -95	<input type="checkbox"/> Vandal proof                      suffix -6 <input type="checkbox"/> Longer screw over 3 1/2"      suffix -87 <input type="checkbox"/> Client logo                              suffix -95	<input type="checkbox"/> Stainless steel cover      suffix -3 <input type="checkbox"/> Vandal proof                      suffix -6 <input type="checkbox"/> Client logo                              suffix -95