

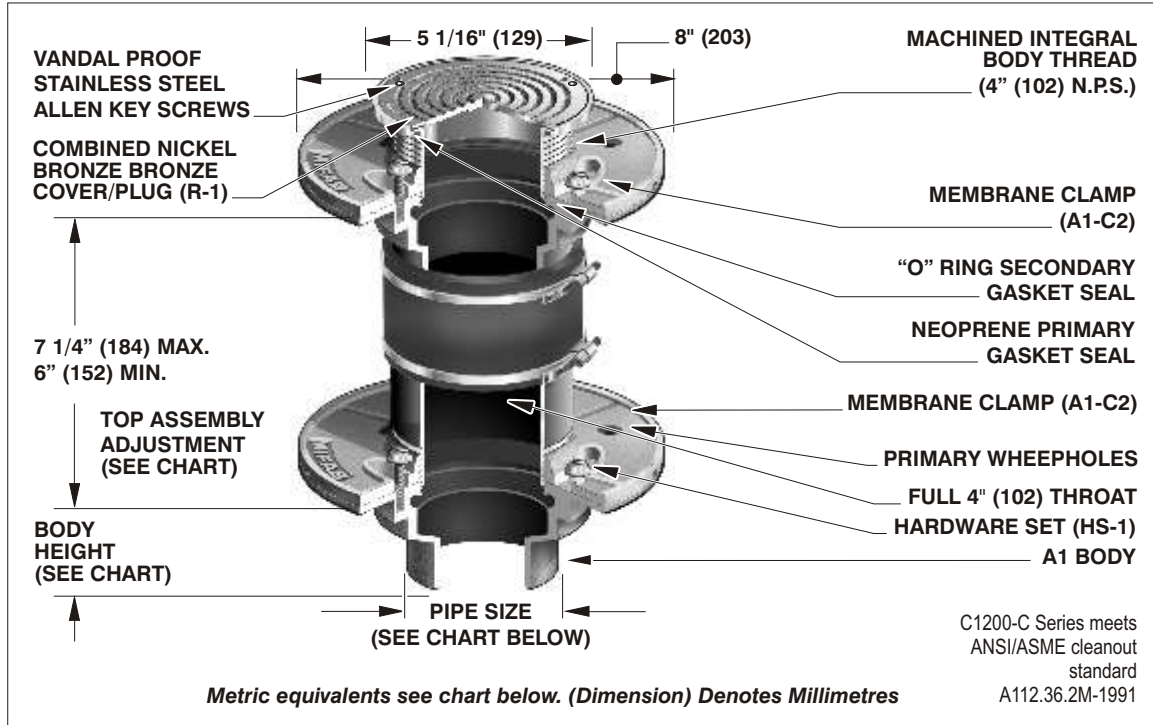


C1200-C

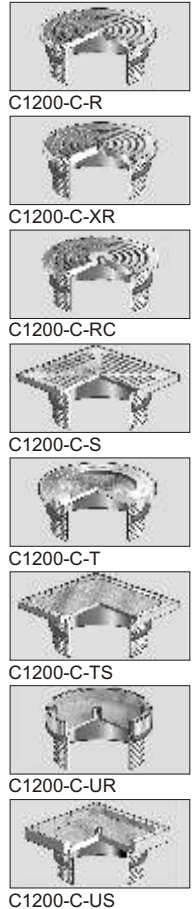
ISOLATION (FLOATING) FLOOR CLEANOUT WITH ADJUSTABLE COVER AND PLUG

Specification: MIFAB® C1200-C Series (specify top assembly design) adjustable floor cleanout with lacquered cast iron upper and lower bodies with anchor flanges, secondary "O" ring Test Seal, cast iron membrane clamp rings for waterproofing membrane, neoprene expansion compensator, 4" diameter cleanout opening and scoriated combined cover and plug top assembly (specify material type) with stainless steel vandal proof allen key screws and primary gasket seal.

Function: Used in computer rooms and other areas that have cables and wires underneath a floating floor assembly to provide emergency access to the plumbing lines for removal of blockages. Neoprene expansion compensator provides flexibility with floating floor system. Membrane clamp is bolted onto the anchor flange, securing the waterproof membrane in place. Seepage control is not available since cleanouts must be gas tight. Replacement of the surface level cover / plug with the neoprene gasket glued to the underside provides visual evidence that the cleanout has been properly resealed to prevent harmful sewer gases from entering the building.



OPTIONAL TOP ASSEMBLIES:



TOP ASSEMBLY SIZE	TOP ASSEMBLY ADJUSTMENT		ANSI/ASME RATING			PIPE SIZE	BODY HEIGHT				
	MIN	MAX	LOAD RATING				NO HUB (STANDARD)	PUSH ON (P)	THREADED (T)	INSIDE CAULK (X)	PVC/ABS (-30) / (-31)
			N.B. (-1)	S.S. (3)	D.I. (-4)						
5" (127)	1/2" (13)	1 1/4" (32)	UP TO 4,999 LBS.	UP TO 7,499 LBS.	SPECIAL DUTY OVER 10,000 LBS.	2" (50)	2 3/4" (70)	3 3/8" (86)	2 1/4" (57)	3 3/4" (95)	2 15/16" (70)
						3" (75)	2 3/4" (70)	3 3/8" (86)	2 5/8" (67)	3 3/4" (95)	3 3/4" (95)
						4" (100)	2 3/4" (70)	3 3/8" (86)	2 5/8" (67)	3 3/4" (95)	3 3/4" (95)
						5" (127)	2 3/4" (70)	-	2 5/8" (67)	3 3/4" (95)	-
						6" (152)	3 1/4" (83)	4 3/4" (121)	-	-	-

OPTIONAL VARIATIONS:

- Nickel bronze top assembly (standard) -1
- Heavy duty stainless steel top assembly -3
- Extra heavy duty ductile iron top assembly for unfinished areas -4
- Security screws (T-20 torx & pin) -6
- Acid resistant epoxy coating -11
- All galvanized -13
- Extension -15
- Bronze bodies -27
- Stainless steel body (Type 304) -28
- Stainless steel body (Type 316) -29
- PVC socket connection body -30

SUFFIX

- ABS socket connection body -31
- Secondary closure plug -34
- Threaded side outlet (2", 3", 4") -90
- No hub side outlet (2", 3", 4") -90NH
- Client logo -95
- No hub outlet (Standard)
- Membrane clamp -C
- Push on outlet P
- Round top assembly -R
- Stainless steel carpet marker -RC
- Stainless steel carpet flange cover (-1 or 3 only) -RCF
- Square top assembly (-1 or 3 only) -S

SUFFIX

- Round top assembly recessed 1/8" for tile (-1 or 3 only) -T
- Threaded outlet T
- Square top assembly recessed 1/8" for tile (-1 or 3 only) -TS
- Round top assembly recessed 1 1/4" for terrazzo (-1 or 3 only) -UR
- Square top assembly recessed 1 1/4" for terrazzo (-1 or 3 only) -US
- Inside caulk outlet X
- Heavy duty nickel bronze top assembly -XR-1
- Extended wide elastomeric flange -Z

Job Name: _____	Page No: _____
Section No: _____	Contractor: _____
Schedule No: _____	Purchase Order No: _____

MIFAB reserves the right to make changes in material and design without formal notice and obligation.