

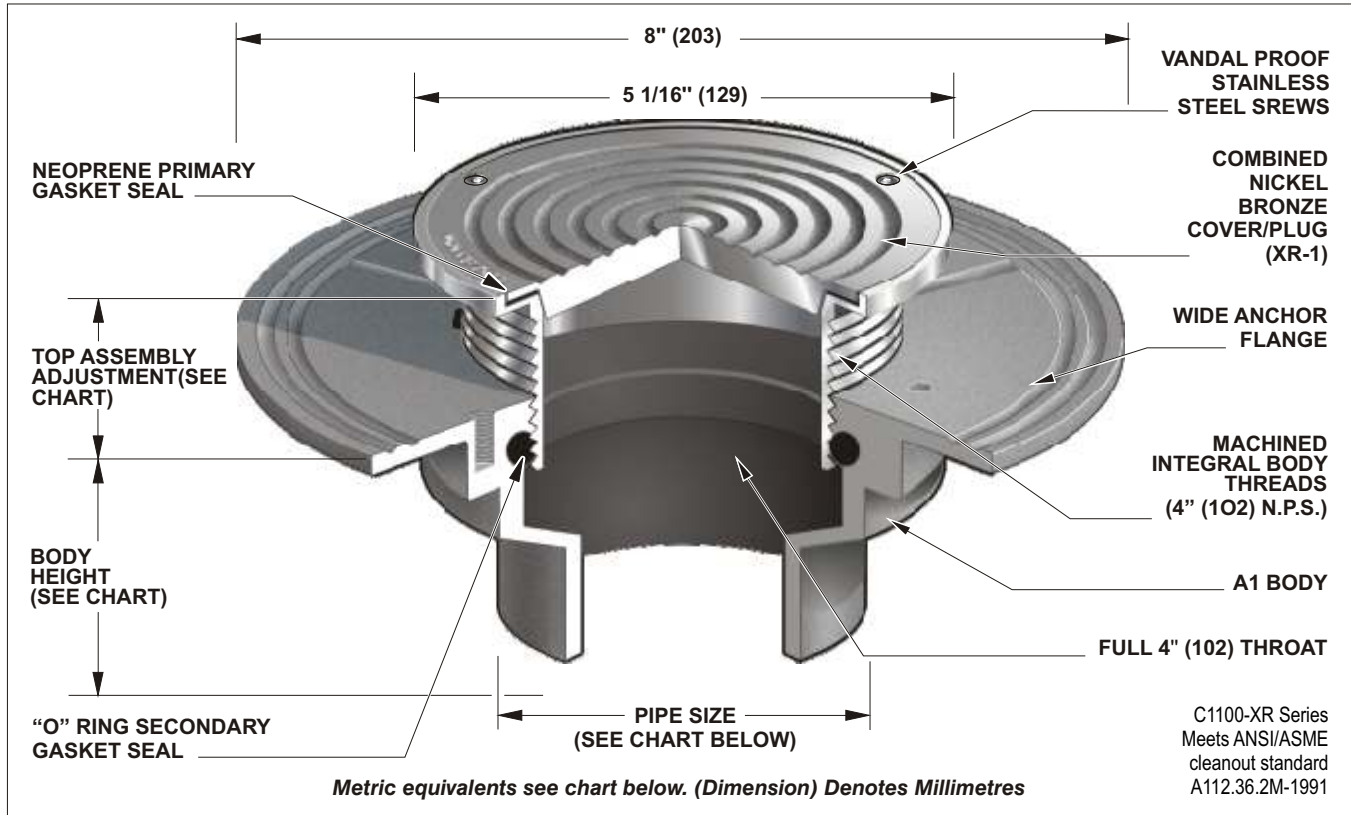


C1100-XR

FLOOR CLEANOUT WITH HEAVY DUTY ROUND ADJUSTABLE COVER AND PLUG

Specification: MIFAB® C1100-XR Series adjustable floor cleanout with lacquered cast iron body and anchor flange, secondary "O" ring Test Seal, 4" diameter cleanout opening and round heavy duty ductile iron scoriated combined cover and plug top assembly with stainless steel vandal proof allen key screws and primary gasket seal. (For membrane floors, add Suffix -C for the membrane clamp).

Function: Used in unfinished areas with heavy load traffic such as warehouses and manufacturing facilities to provide emergency access to the plumbing lines for removal of blockages. Replacement of the surface level cover / plug with the neoprene gasket glued to the underside provides visual evidence that the cleanout has been properly resealed to prevent harmful sewer gases from entering the building.



Metric equivalents see chart below. (Dimension) Denotes Millimetres

TOP ASSEMBLY DIAMETER	TOP ASSEMBLY ADJUSTMENT		ANSI/ASME LOAD RATING		PIPE SIZE	BODY HEIGHT				
	MIN	MAX	N.B. (-1)	S.S. (-3)		NO HUB (STANDARD)	PUSH ON (P)	THREADED (T)	INSIDE CAULK (X)	PVC/ABS (-30)/(-31)
5" (127)	1 1/2" (13)	1 1/4" (32)	UP TO 4,999 LBS.	5,000 TO 7,499 LBS.	2" (51)	2 3/4" (70)	3 3/8" (86)	2 1/4" (57)	3 3/4" (95)	2 15/16" (75)
					3" (76)	2 3/4" (70)	3 3/8" (86)	2 5/8" (67)	3 3/4" (95)	3" (76)
					4" (102)	2 3/4" (70)	3 3/8" (86)	2 5/8" (67)	3 3/4" (95)	3" (76)
					5" (127)	2 3/4" (70)	-	2 5/8" (67)	3 3/4" (95)	-
					6" (152)	3 1/4" (83)	4 3/4" (121)	-	-	-

- OPTIONAL VARIATIONS: SUFFIX**
- Heavy duty nickel bronze top assembly -1
 - Heavy duty stainless steel top assembly -3
 - Extra heavy duty ductile iron top assembly for unfinished areas(standard) -4
 - Security screws (T-20 torx and pin)-6
 - Acid resistant epoxy coating -11

- SUFFIX**
- All galvanized -13
 - Extension -15
 - Bronze body -27
 - Stainless steel body (Type 304) -28
 - Stainless steel body (Type 316) -29
 - PVC socket connection body -30
 - ABS socket connection body -31
 - Secondary closure plug -34

- SUFFIX**
- Client logo -95
 - No hub outlet (Standard)
 - Membrane clamp -C
 - Push on outlet P
 - Threaded side outlet T
 - Inside caulk outlet X
 - Extended wide elastomeric flange -Z

Job Name _____ Page No: _____
 Section No: _____ Contractor _____
 Schedule No: _____ Purchase Order No: _____

MIFAB reserves the right to make changes in material and design without formal notice and obligation.

USA: 1-800-465-2736 www.mifab.com CAN: 1-800-387-3880