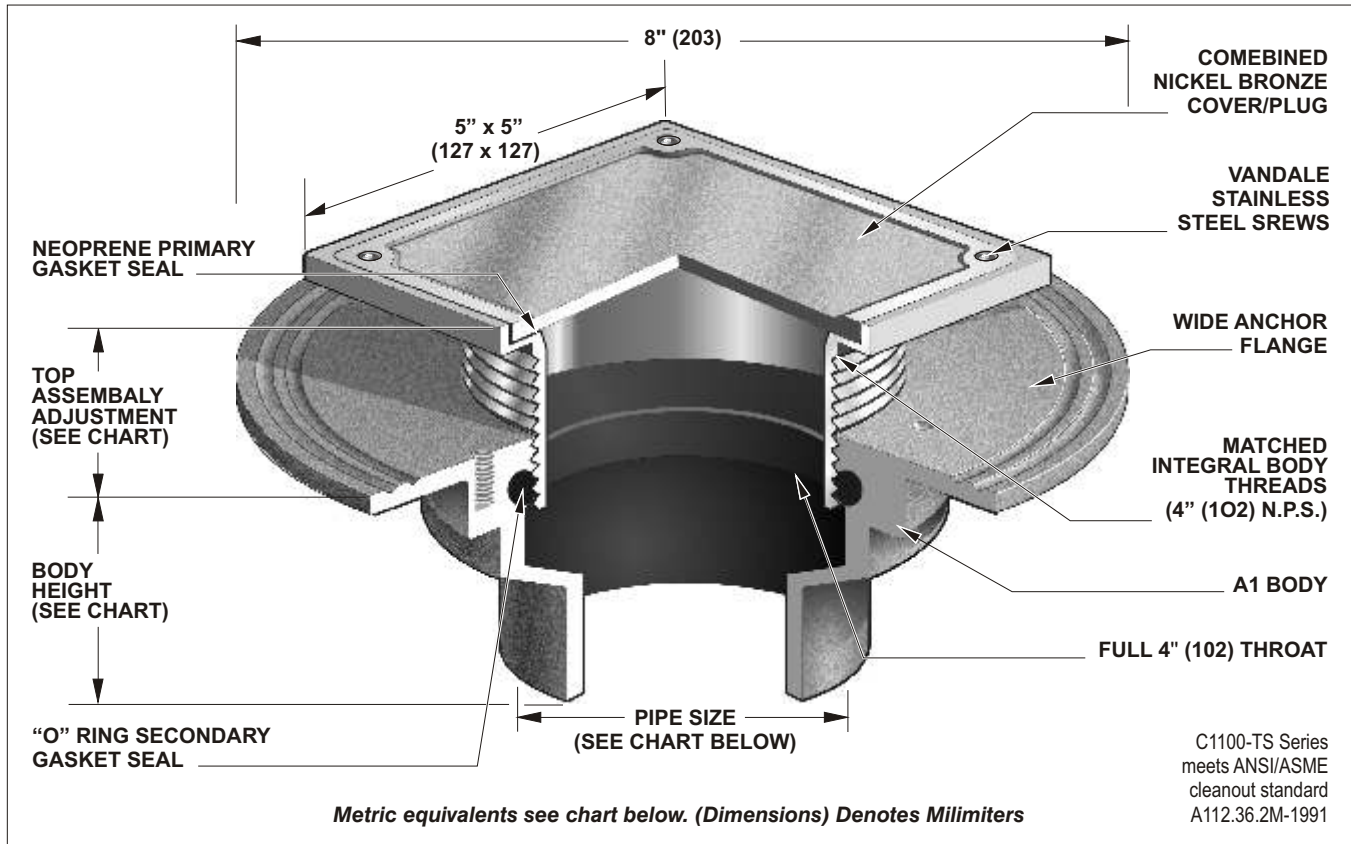


Specification: MIFAB® C1100-TS Series adjustable floor cleanout with lacquered cast iron body and anchor flange, secondary "O" ring Test Seal, 4" diameter cleanout opening and square scoriated combined cover and plug top assembly (specify material type) with 1/8" recess for tile and stainless steel vandal proof allen key screws and primary gasket seal. (For membrane floors, add Suffix C for the membrane clamp).

Function: Used in finished floors to provide emergency access to the plumbing lines for removal of blockages. Typical in floors where a minimum amount of cleanout top is desired to be visible. The recess in the cover is to receive vinyl or thin floor tile. Replacement of the surface level cover / plug with the neoprene gasket glued to the underside provides visual evidence that the cleanout has been properly resealed to prevent harmful sewer gases from entering the building.



STRAINER DIAMETER	STRAINER ADJUSTMENT		TOP ASSEMBLY SIZE	ANSI/ASME LOAD RATING		PIPE SIZE	BODY HEIGHT				
	MIN	MAX		N.B. (-1)	S.S. (-3)		NO HUB (STANDARD)	PUSH ON (P)	THREADED (T)	INSIDE CAULK (X)	PVC/ABS (-30)/(-31)
5" (127)	1/2" (13)	1 1/4" (32)	5" x 5" (127x127)	UP TO 4,999 LBS.	5000 TO 7,499 LBS.	2" (51)	2 3/4" (70)	3 3/8" (86)	2 1/4" (57)	3 3/4" (95)	2 15/16" (75)
						3" (76)	2 3/4" (70)	3 3/8" (86)	2 5/8" (67)	3 3/4" (95)	3 3/4" (95)
						4" (102)	2 3/4" (70)	3 3/8" (86)	2 5/8" (67)	3 3/4" (95)	3 3/4" (95)
						5" (127)	2 3/4" (70)	-	2 5/8" (67)	3 3/4" (95)	-
						6" (152)	3 1/4" (83)	4 3/4" (121)	-	-	-

- | | | | |
|--|---------------|--|---------------|
| OPTIONAL VARIATIONS: | SUFFIX | SUFFIX | SUFFIX |
| <input type="checkbox"/> Nickel bronze top assembly (standard) | -1 | <input type="checkbox"/> Bronze body | -27 |
| <input type="checkbox"/> Heavy duty stainless steel top assembly | -3 | <input type="checkbox"/> Stainless steel body (Type 304) | -28 |
| <input type="checkbox"/> Security screws (Torx and pin) | -6 | <input type="checkbox"/> Stainless steel body (Type 316) | -29 |
| <input type="checkbox"/> Acid resistant epoxy coating | -11 | <input type="checkbox"/> PVC socket connection body | -30 |
| <input type="checkbox"/> All galvanized | -13 | <input type="checkbox"/> ABS socket connection body | -31 |
| <input type="checkbox"/> Extension | -15 | <input type="checkbox"/> Secondary closure plug | -34 |
| | | <input type="checkbox"/> Threaded side outlet (2", 3", 4") | -90 |
| | | <input type="checkbox"/> No hub side outlet (2", 3", 4") | -90NH |
| | | <input type="checkbox"/> Client logo | -95 |
| | | <input type="checkbox"/> No hub outlet | (Standard) |
| | | <input type="checkbox"/> Membrane clamp | -C |
| | | <input type="checkbox"/> Push on outlet | P |
| | | <input type="checkbox"/> Threaded side outlet | T |
| | | <input type="checkbox"/> Inside caulk outlet | X |
| | | <input type="checkbox"/> Extended wide elastomeric flange | -Z |

Job Name _____	Page No: _____
Section No: _____	Contractor _____
Schedule No: _____	Purchase Order No: _____