



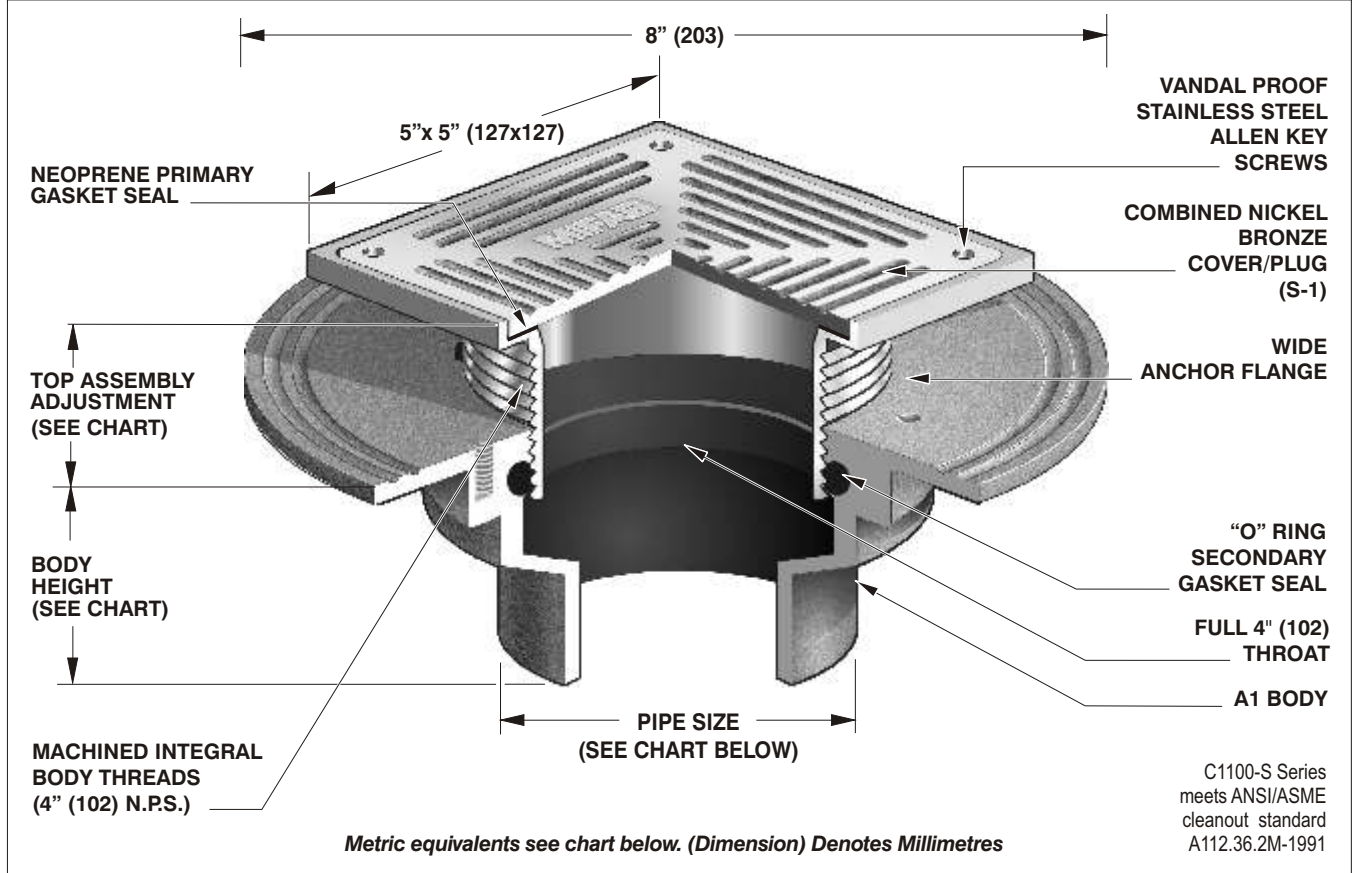
MIFAB®

C1100-S

**FLOOR CLEANOUT WITH SQUARE
ADJUSTABLE COVER AND PLUG**

Specification: MIFAB® C1100-S Series adjustable floor cleanout with lacquered cast iron body and anchor flange, secondary “O” ring Test Seal, 4” diameter cleanout opening and square scoriated combined cover and plug top assembly (specify material type) with stainless steel vandal proof allen key screws and primary gasket seal. (For membrane floors, add Suffix -C for the membrane clamp).

Function: Used in finished floors to provide emergency access to the plumbing lines for removal of blockages. Replacement of the surface level cover / plug with the neoprene gasket glued to the underside provides visual evidence that the cleanout has been properly resealed to prevent harmful sewer gases from entering the building.



TOP ASSEMBLY SIZE	TOP ASSEMBLY ADJUSTMENT		ANSI/ASME LOAD RATING		PIPE SIZE	BODY HEIGHT				
	MIN	MAX	N.B. (-1)	S.S.(-3)		NO HUB (STANDARD)	PUSH ON (P)	THREADED (T)	INSIDE CAULK (X)	PVC/ABS (-30) / (-31)
5"x5" (127x127)	1/2" (13)	1 1/4" (32)	UP TO	5,000 TO	2" (51)	2 3/4" (70)	3 3/8" (86)	2 1/4" (57)	3 3/4" (95)	2 15/16" (75)
			4,999	7,499	3" (76)	2 3/4" (70)	3 3/8" (86)	2 5/8" (67)	3 3/4" (95)	3" (76)
			LBS.	LBS.	4" (102)	2 3/4" (70)	3 3/8" (86)	2 5/8" (67)	3 3/4" (95)	3" (76)
					5" (127)	2 3/4" (70)	-	2 5/8" (67)	3 3/4" (95)	-
					6" (152)	3 1/4" (83)	4 3/4" (121)	-	-	-

- | | | | |
|--|---------------|---|---------------|
| OPTIONAL VARIATIONS: | SUFFIX | SUFFIX | SUFFIX |
| <input type="checkbox"/> Nickel bronze top assembly (standard) | -1 | <input type="checkbox"/> Stainless steel body (type 316) | -29 |
| <input type="checkbox"/> Heavy duty stainless steel top assembly | -3 | <input type="checkbox"/> PVC socket connection body | -30 |
| <input type="checkbox"/> Security screws (T-20 torx and pin) | -6 | <input type="checkbox"/> ABS socket connection body | -31 |
| <input type="checkbox"/> Acid resistant epoxy coating | -11 | <input type="checkbox"/> Secondary closure plug | -34 |
| <input type="checkbox"/> All galvanized | -13 | <input type="checkbox"/> Threaded side outlet (2",3",4") | -90 |
| <input type="checkbox"/> Extension | -15 | <input type="checkbox"/> No hub side outlet (2",3",4") | -90NH |
| <input type="checkbox"/> Bronze body | -27 | <input type="checkbox"/> Client logo | -95 |
| <input type="checkbox"/> Stainless steel body (Type 304) | -28 | <input type="checkbox"/> No hub outlet (Standard) | (Standard) |
| | | <input type="checkbox"/> Membrane clamp | -C |
| | | <input type="checkbox"/> Push on outlet | P |
| | | <input type="checkbox"/> Stainless steel carpet marker | -RC |
| | | <input type="checkbox"/> Stainless steel carpet flange cover (-1 or -3 only) | -RCF |
| | | <input type="checkbox"/> Threaded outlet | T |
| | | <input type="checkbox"/> Square top assembly recessed 1/8" for tile (-1 or -3 only) | -TS |
| | | <input type="checkbox"/> Square top assembly recessed 1 1/4" for terrazzo (-1 or -3 only) | -US |
| | | <input type="checkbox"/> Inside caulk outlet | X |
| | | <input type="checkbox"/> Extended wide elastomeric flange | -Z |

Job Name: _____	Page No: _____
Section No: _____	Contractor: _____
Schedule No: _____	Purchase Order No: _____

MIFAB reserves the right to make changes in material and design without formal notice and obligation.

USA: 1-800-465-2736 www.mifab.com CAN: 1-800-387-3880