

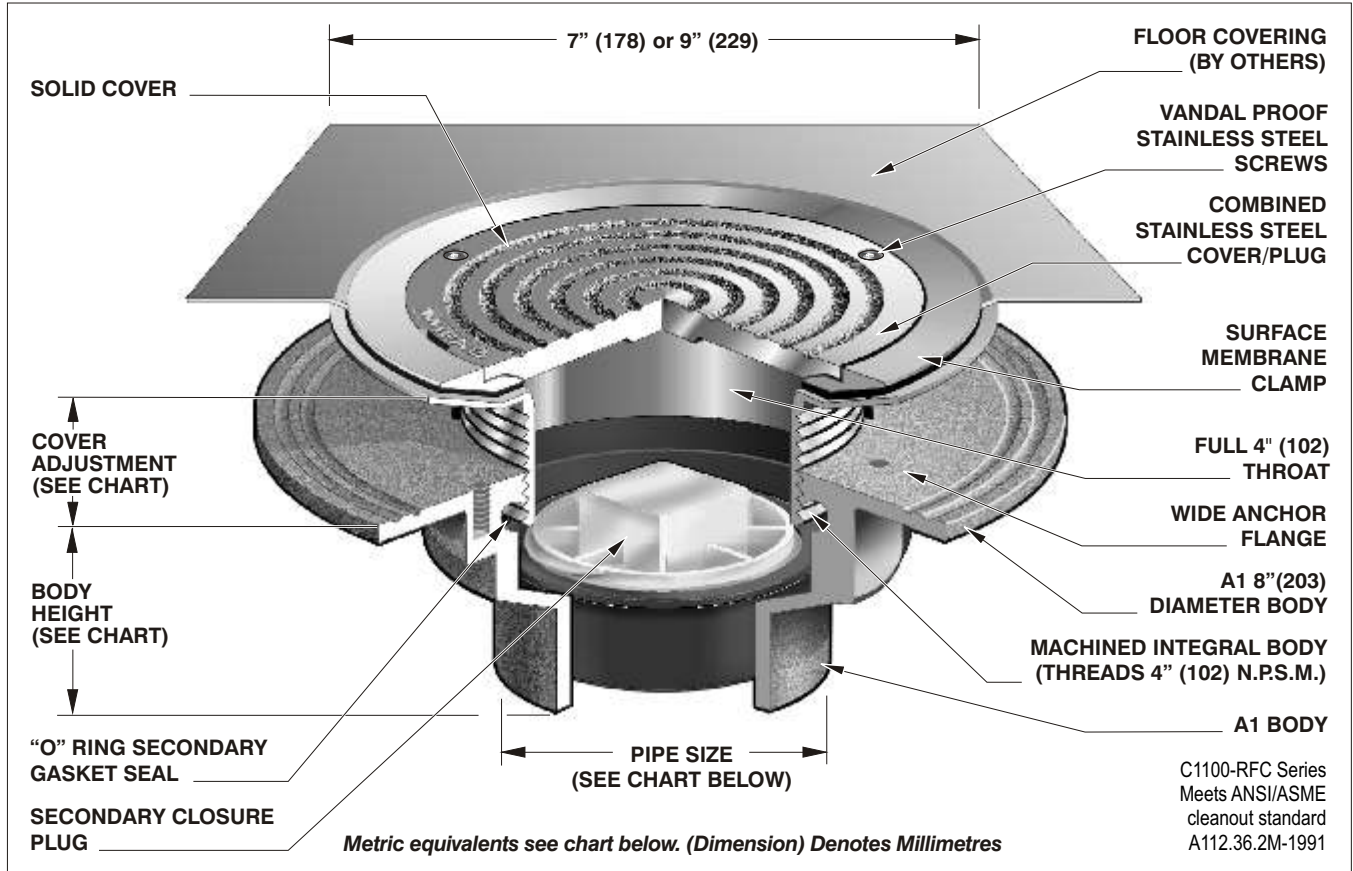


MIFAB® C1100-RFC

FLOOR CLEANOUT WITH SURFACE MEMBRANE CLAMP, ADJUSTABLE COVER AND PLUG

Specification: MIFAB® C1100-RFC Series (specify 7" or 9" for top assembly diameter) adjustable floor cleanout with lacquered cast iron body and anchor flange, secondary "O" ring Test Seal, 4" diameter cleanout opening and heavy duty stainless steel scoriated cover with surface membrane clamp, secondary closure plug and stainless steel vandal proof allen key screws. (For membrane floors, add Suffix -C for the membrane clamp).

Function: Used in finished floors to provide emergency access to the plumbing lines for removal of blockages. Surface membrane clamp secures thin floor covering. Replacement of the surface level cover / plug with the neoprene gasket glued to the underside provides visual evidence that the cleanout has been properly resealed to prevent harmful sewer gases from entering the building.



TOP ASSEMBLY SIZE	TOP ASSEMBLY ADJUSTMENT		ANSI/ASME LOAD RATING		PIPE SIZE	BODY HEIGHT				
	MIN	MAX	FREE AREA	S.S.(-3)		NO HUB (STANDARD)	PUSH ON (P)	THREADED (T)	INSIDE CAULK (X)	PVC/ABS (-30) / (-31)
7" (178)	1 1/8" (28)	1 7/8" (85)	9in ²	5000 TO 7499 LBS	2" (51)	2 3/4" (70)	3 3/8" (86)	2 1/4" (57)	3 3/4" (95)	2 15/16" (75)
9" (229)	1 1/8" (28)	1 7/8" (85)	(5800 ²)	5000 TO 7499 LBS.	3" (76)	2 3/4" (70)	3 3/8" (86)	2 5/8" (67)	3 3/4" (95)	3" (76)
			12in ²		4" (102)	2 3/4" (70)	3 3/8" (86)	2 5/8" (67)	3 3/4" (95)	3" (76)
			(7700 ²)		5" (127)	2 3/4" (70)	-	2 5/8" (67)	3 3/4" (95)	-
					6" (152)	3 1/4" (83)	4 3/4" (121)	-	-	-

OPTIONAL VARIATIONS: SUFFIX

- Heavy duty stainless steel top assembly (specify -RFC7 for 7" or -RFC9 for 9" diameter) -3
- 3M epoxy finish -3M
- Security screws (T-20 torx and pin) -6
- Acid resistant epoxy coating -11
- All galvanized -13
- Extension -15

- Bronze body -27
- Stainless steel body (Type 304) -28
- Stainless steel body (Type 316) -29
- PVC socket connection body -30
- ABS socket connection body -31
- Client logo -95
- No hub outlet (Standard)
- Membrane clamp -C

SUFFIX

- Push on outlet P
- Stainless steel carpet marker -RC
- Stainless steel carpet flange cover (-1 or 3 only) -RCF
- Threaded outlet T
- Inside caulk outlet X
- Extended wide elastomeric flange -Z

Job Name: _____ Page No: _____
 Section No: _____ Contractor: _____
 Schedule No: _____ Purchase Order No: _____

MIFAB reserves the right to make changes in material and design without formal notice and obligation.