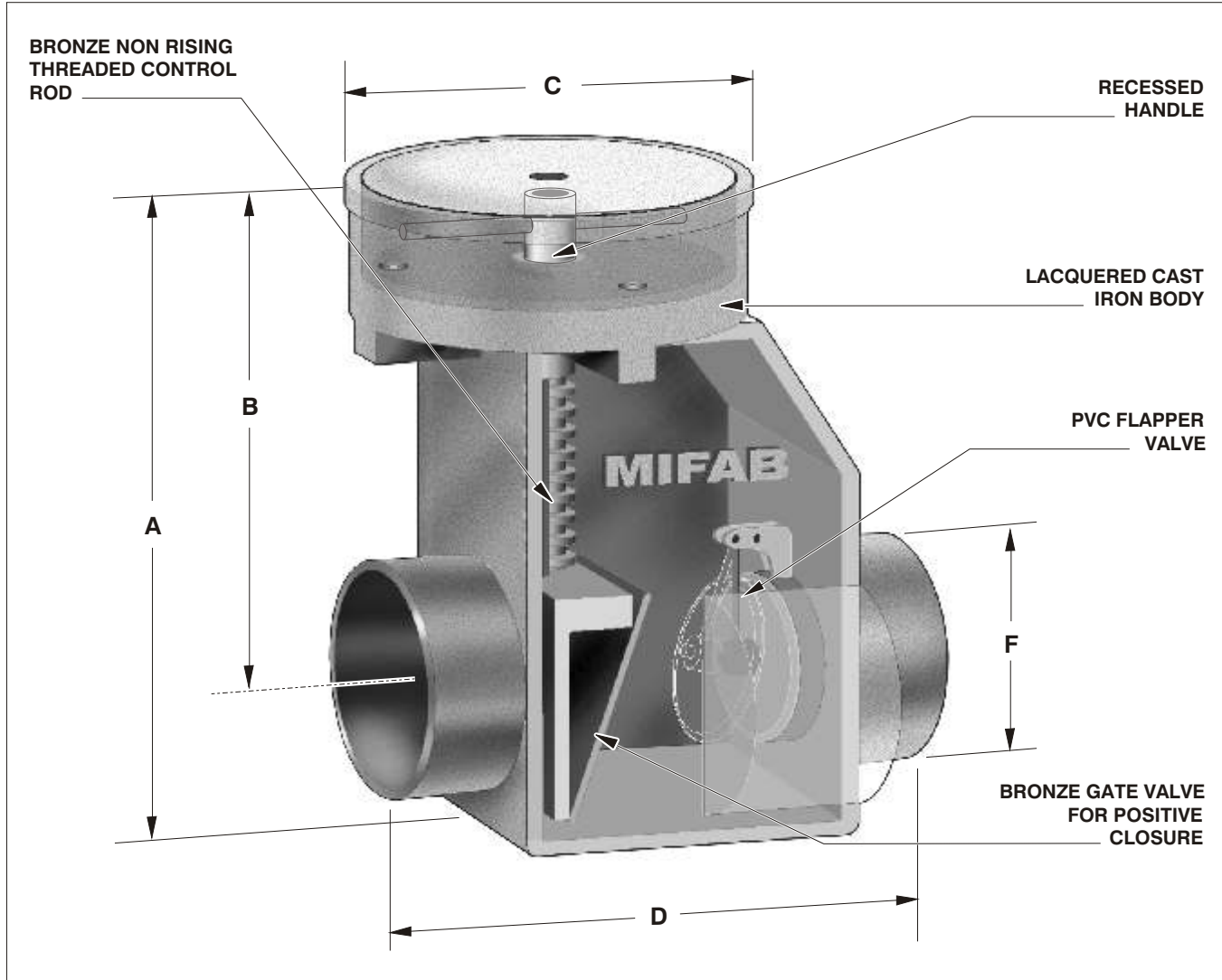


**Specification:** MIFAB® Series BV1300 in-line gate type manual operated backwater valve, lacquered cast iron body with automatic PVC flapper valve and a bronze gate valve manually controlled by a recessed handle underneath the floor cover connected to a bronze non-rising threaded control rod.

**Function:** : Used as a drainage control valve. The flapper backwater valve provides protection against sewage backflow into the building. The manually closed bronze gate valve provides additional protection during sever storms or when the building is not in use.



**Note:** Do not use the plumbing fixtures in the building when the manual shut off valve is closed. Do not use for pressurized applications; for gravity flow only. Backflow protection is prevented when the valve is obstructed by debris or sludge; clean regularly.

MODEL NUMBER	"A" BODY HIGHT	"B" INVERT	"C" COVER DIA.	"D" LENGTH	"F" PIPE SIZE
BV1304	15 3/4" (400)	12" (205)	8" (203)	14" (356)	4" (102)
BV1306	19" (483)	14 1/2" (368)	10 1/2" (267)	16" (406)	6" (152)

<b>OPTIONAL VARIATIONS:</b>	<b>SUFFIX</b>		<b>SUFFIX</b>	<b>SUFFIX</b>
<input type="checkbox"/> Wheel handle	-2	<input type="checkbox"/> 12" Extension (BV1306)	-15x12	<input type="checkbox"/> 24" Extension (BV1306)
<input type="checkbox"/> All galvanized	-13	<input type="checkbox"/> 24" Extension (BV1304)	-15x24	<input type="checkbox"/> Bronze flapper valve (BV1304 only)
<input type="checkbox"/> 12" Extension (BV1304)	-15x12			-34G

Job Name: _____	Page No: _____
Section No: _____	Contractor: _____
Schedule No: _____	Purchase Order No: _____