

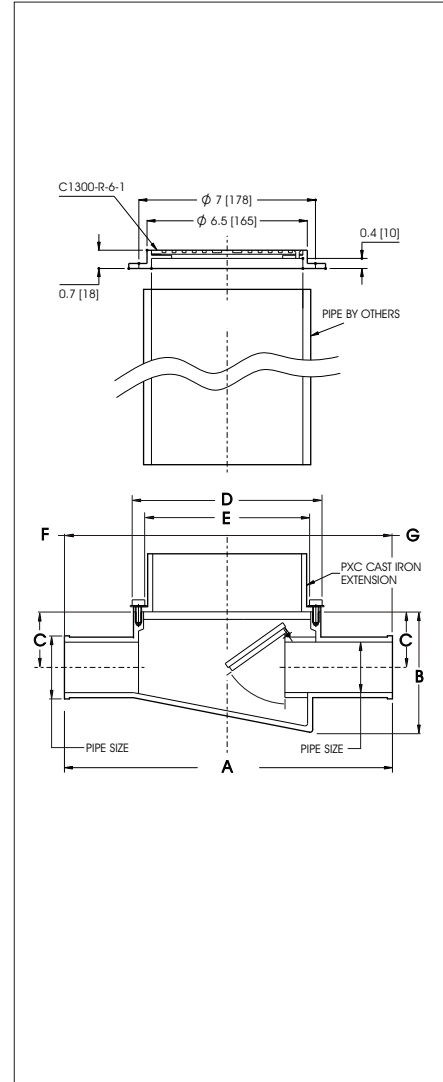
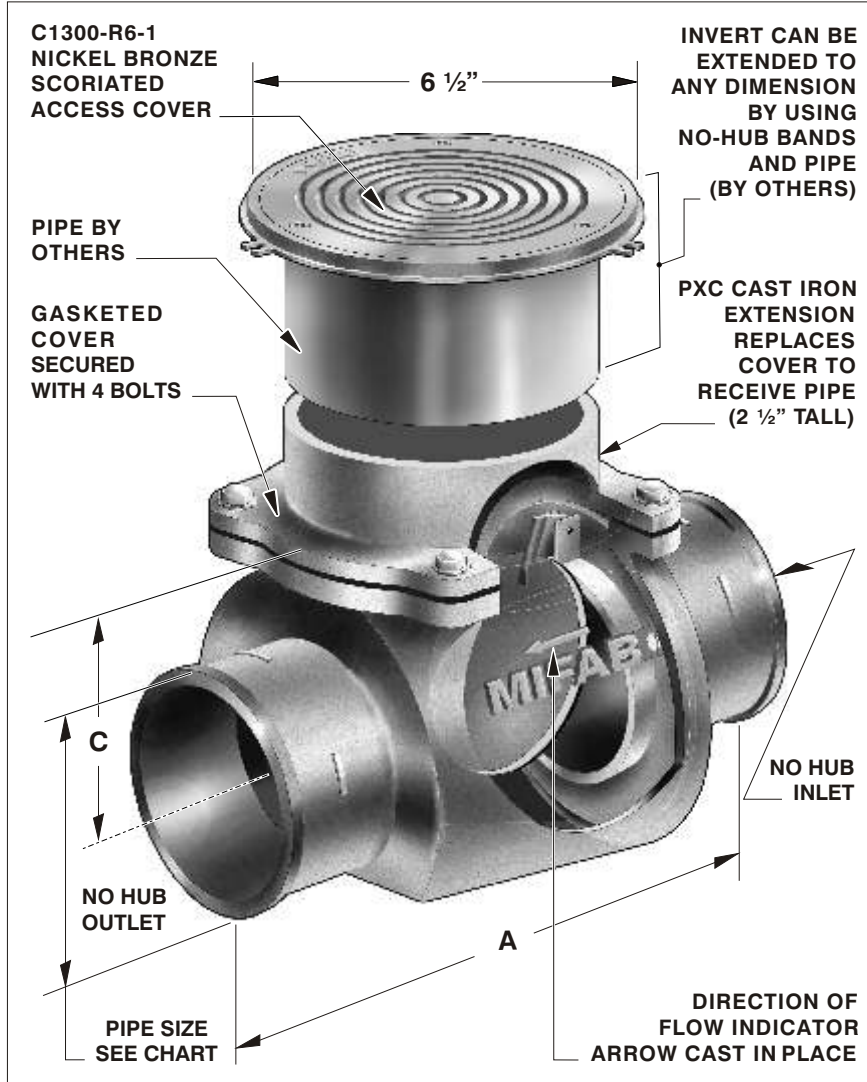


BV1200-R

CAST IRON BACKWATER VALVE WITH BRONZE FLAPPER AND NICKEL BRONZE ACCESS COVER

Specification: MIFAB® Series BV1200-R lacquered cast iron backwater valve with no hub inlet and outlet, gasketed bolted cover, automatic bronze flapper type backwater valve, lacquered cast iron extension to receive pipe extension (by others) and nickel bronze scoriated access cover.

Function: Used in main branch or sewer lines to prevent backflow from the sewers. Full opening access through cover to the flapper assembly for repair and maintenance. Cast iron extension piece and nickel bronze floor access cover provide means with an extension pipe (by others) to raise the access cover to whatever height is required.



Note: Do not use for pressurized applications; for gravity flow only. Backflow protection is prevented when the valve is obstructed by debris or sludge; clean regularly.

MODEL NUMBER	PIPE SIZE	"A" LENGHT	"B" HEIGHT	"C" INVERT	"D" COVER SIZE	"E" COVER OPENING	"F" CENTER TO OUTLET	"G" CENTER TO INLET
BV1202-R-1	2" (51)	10 3/4" (273)	5 1/2" (140)	3" (76)	5 3/4" (146)	4 5/8" (118)	5 1/8" (130)	5 3/4" (146)
BV1203-R-1	3" (76)	11 3/4" (298)	6 3/4" (172)	3 3/4" (95)	5 3/4" (146)	4 5/8" (118)	5 1/8" (130)	5 3/4" (146)
BV1204-R-1	4" (102)	12 3/4" (324)	7 3/4" (197)	4 1/4" (108)	7 3/4" (197)	6 5/8" (168)	6 1/8" (156)	6 7/8" (175)
BV1206-R-1	6" (152)	14 3/4" (375)	10" (254)	5 1/2" (140)	10" (254)	8 3/4" (222)	7" (178)	7 5/8" (194)

OPTIONAL VARIATIONS:

- | | | | |
|---|-----|---|-----|
| <input type="checkbox"/> Acid resistant epoxy coating | -11 | <input type="checkbox"/> Type 304 Stainless steel | -28 |
| <input type="checkbox"/> All galvanized | -13 | <input type="checkbox"/> Type 316 Stainless steel | -29 |

Job Name: _____	Page No: _____
Section No: _____	Contractor: _____
Schedule No: _____	Purchase Order No: _____

MIFAB reserves the right to make changes in material and design without formal notice and obligation.