



STR

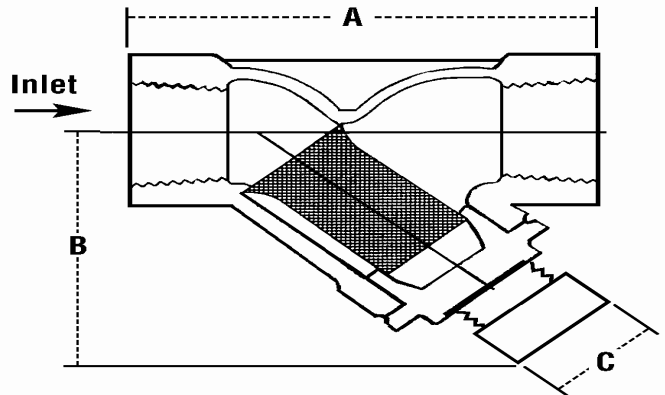
Bronze Strainers 1/2 " thru 2"

Function: BEECO Style Wye-Pattern Bronze Strainers in sizes 1/2" thru 2" are designed to protect your mechanical systems from damage caused by dirt, debris, rust and other solid contaminants. This series features as a standard offering a tapped closure plug for easy of cleaning or the installation of a BEECO Gauge or secondary water line.

Ratings:

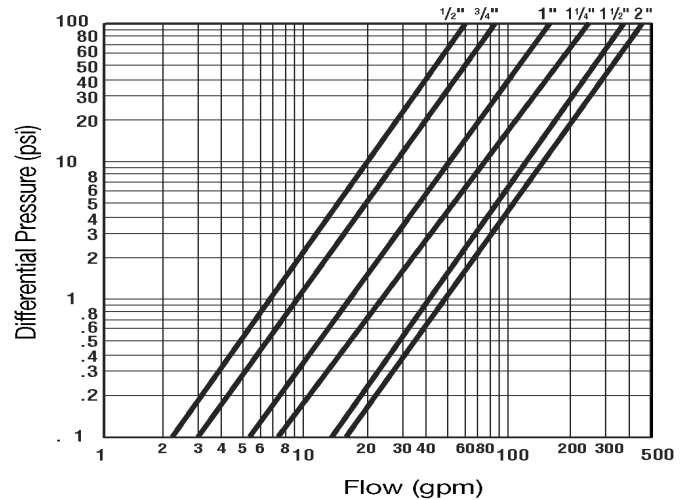
Maximum Working Pressure:
400psi (27.6 bar) WOG @ 210°F (99°C)

Materials: Bronze Body: Standard UNS-C84400 Retainer Cap: Brass Cap Gasket: NBR
Standard Screen: 304 Stainless Steel 20 Mesh



STR-SWT		A	A	B	B	C	C
MM	IN.	MM	IN.	MM	IN.	MM	IN.
1/2"	15	70	2 3/4"	35	1 1/4"	6	1/4"
3/4"	20	86	3 3/8"	43	1 1/2"	6	1/4"
1"	25	95	3 3/4"	54	2 1/4"	13	1/2"
1 1/4"	32	115	4 1/2"	65	2 1/2"	13	1/2"
1 1/2"	40	135	5 1/4"	75	3"	19	3/4"
2"	50	155	6 3/16"	90	3 1/2"	25	1"

STR-IPS		A	A	B	B	C	C
MM	IN.	MM	IN.	MM	IN.	MM	IN.
1/2"	15	70	2 3/4"	35	1 1/4"	6	1/4"
3/4"	20	80	3 1/4"	43	1 1/2"	6	1/4"
1"	25	94	3 3/4"	54	2 1/4"	13	1/2"
1 1/4"	32	112	4 1/2"	65	2 1/2"	13	1/2"
1 1/2"	40	125	5"	75	3"	19	3/4"
2"	50	150	6"	90	3 1/2"	25	1"



Job Name: _____
Section No: _____
Schedule No: _____

Page No: _____
Contractor: _____
Purchase Order No: _____

Please consult BEECO engineering to get the latest updates On materials and specifications.

www.beecobackflow.com 1321 West 119th Street, Chicago IL, 60643
BEECO Canada 150 Norfich Drive Unit 4, Toronto, Ontario, Canada
M3N 1X6. Tel (416) 679-0380 Toll Free 1-800-387-3880