



# PRV-F

Water Pressure Reducing Valves Separate Strainer

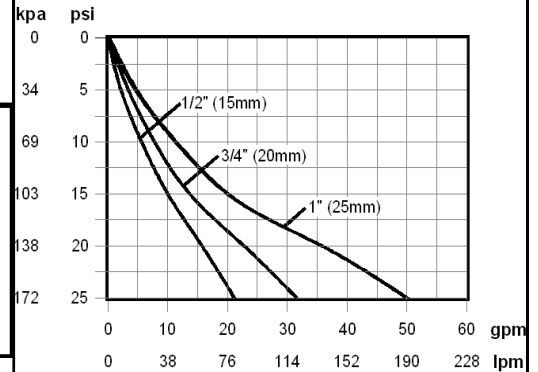
**Function:** BEECO® Series PRV-F full length water pressure reducing valves are engineered to reduce incoming water pressure to a safe level to protect the plumbing system and reduce water usage. The PRV-F Series is designed for water supply pressures up to 300psi (20.7bar). The adjustment range on the valve is from 25psi to 75psi (172 to 517kPa). The factory setting is at 50psi (345kPa). All parts can be serviced without removing the valve from the service line. The standard bypass design allows the flow of water back through the valve into the main due to thermal expansion on the outlet side of the valve.

**Ratings:** Temperature Range: 33°F - 180°F (0.5°C - 82°C) Maximum Working Pressure: 300psi (20.7bar)  
Adjustable Pressure Range: 25 - 75psi (172 - 517kPa) Standard Reduced Pressure Setting: 50psi (345kPa)

**Materials:** Body and Cage: ASTM B 584, Integral Strainer: Stainless Steel, Valve Disk: Elastomer Diaphragm: Reinforced EPDM, Seat: Engineered Polymer.

**Features:**

- Internal Bypass for Thermal Expansion.
- Convenient Strainer and Seat Access. In-line Serviceability.
- Corrosion Resistant Body and Cover.
- Single or Double Union Connection.
- Stainless Steel Strainer.



PRV.75-SU-IPS-F

**PRVX.XX-SU-IPS-F**

Size: 1/2" = .50  
 3/4" = .75  
 1" = 1.00

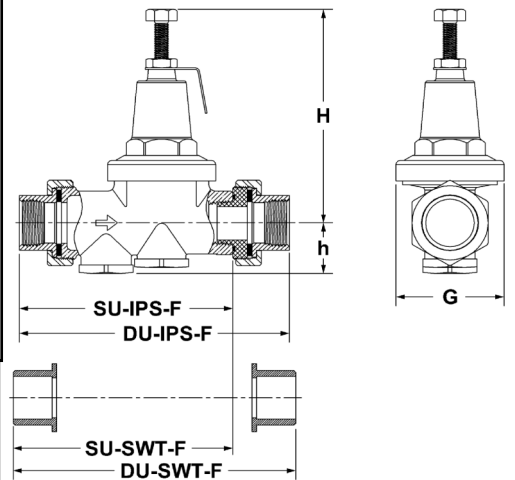
SU = Single Union  
 DU = Double Union

IPS = NPT Female Thread  
 SWT = Solder Union

Full Length Valve



Valve is tested and certified to A.S.S.E. Standard 1003 (ANSI A 112.26.2) listed with I.A.P.M.O. and certified to CSA Standard B356.



SIZE		DIMENSIONS													
		SU-IPS-F		DU-IPS-F		SU-SWT-F		DU-SWT-F		H		h		G	
in.	mm	in.	mm	in.	mm	in.	mm	in.	mm	in.	mm	in.	mm	in.	mm
1/2	15	5.28	134	6.53	166	5.05	128	6.10	155	5.12	130	1.14	29	2.75	70
3/4	20	5.28	134	6.53	166	5.30	135	6.58	167	5.12	130	1.14	29	2.75	70
1	25	6.26	159	7.51	191	6.46	164	7.94	202	5.71	145	1.54	39	3.41	87

Job Name: \_\_\_\_\_ Page No: \_\_\_\_\_  
 Section No: \_\_\_\_\_ Contractor: \_\_\_\_\_  
 Schedule No: \_\_\_\_\_ Purchase Order No: \_\_\_\_\_

Please consult BEECO engineering to get the latest updates On materials and specifications. [www.beecobackflow.com](http://www.beecobackflow.com) 1321 West 119th Street, Chicago IL, 60643  
 BEECO Canada 150 Norfich Drive Unit 4, Toronto, Ontario, Canada M3N 1X6. Tel (416) 679-0380 Toll Free 1-800-387-3880