

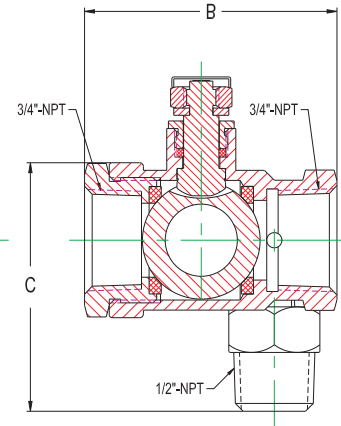
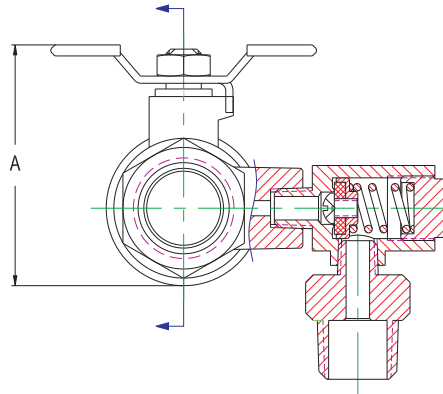


# MI-CONTROL

## WATER HEATER SHUTOFF THERMAL EXPANSION CONTROL VALVE

**Specification:** BEECO® Series MI-CONTROL water heater shutoff/thermal expansion control valve with full port bronze valve. The valve is made of a bronze body engineered to withstand water supply pressures of up to 600 psi. Valve to be tested, certified and listed to the I.A.P.M.O. I.G.C 128-2006a.

**Function:** BEECO® Series MI-CONTROL water heater shutoff/thermal expansion control valve is manufactured to control thermal expansion in closed plumbing systems and also for residential water heater applications where a water heater shut-off and thermal expansion relief valve are combined to provide protection from thermal expansion. The MI-CONTROL will provide thermal expansion relief at a pressure of 5 psi or more below the set pressure of the primary thermal expansion relief valve.



**Pressure - Temperature Data:**

Temperature Rating: 180 Degrees F (82 Degrees C)

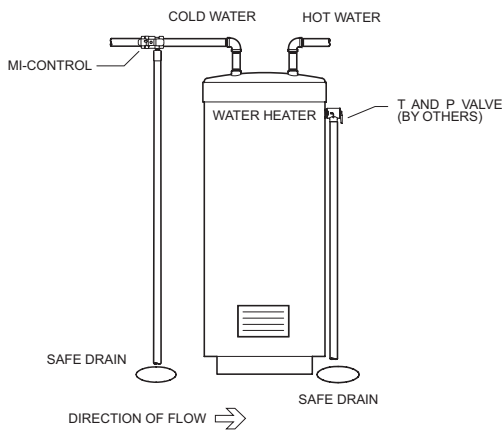
**Approvals:**



Valve is tested, certified and listed to the I.A.P.M.O. I.G.C 128-2006a

MODEL NUMBER	DESCRIPTION	MASTER CARTON QTY	MASTER CARTON WT.	DIMENSIONS		
				A	B	C
MI-CONTROL	3/4" F.I.P. x 3/4" F.I.P.	20	21 lbs.	2 1/2"	2.70"	3.40"

**TYPICAL INSTALLATION**



**Components of Control Valve:**

- Body:** Cast Brass
- Cap:** Rod Brass
- Fitting:** Rod Brass
- Seat Washer:** Silicone Rubber
- Spring:** Stainless Steel
- Screw:** Brass
- Check:** Rod Brass

**Components of Ball Valve:**

- Body:** Cast Bronze
- Lever:** Steel
- Grip:** Plastic
- Hex Nut:** Carbon Steel
- Stem Bearing:** RTFE
- Stem:** Rod Brass
- Retainer:** Rod Brass
- Ball:** Rod Brass
- Stem Packing:** RTFE
- Seat:** RTFE
- Gland:** Rod Brass

Job Name \_\_\_\_\_ Page No: \_\_\_\_\_  
 Section No: \_\_\_\_\_ Contractor \_\_\_\_\_  
 Schedule No: \_\_\_\_\_ Purchase Order No: \_\_\_\_\_

MIFAB reserves the right to make changes in material and design without formal notice and obligation.