



GV-UL/FM-GXG

Ductile Iron Grooved by Grooved 2 1/2" thru 12"

Function:

OS&Y Grooved Gate Valves are Fused Epoxy Coated Fire Engine Red for the Fire Protection Market. They Feature a Ductile Iron Hand Wheel and Body and are UL/FM listed and comply to SP-70

Options:

- All BEECO OSY UL FM Valves come with Stainless Steel Stem for better corrosion resistance. (competitors use brass).
- All valves are Fusion Bonded Epoxy Coated in Fire Engine Red
- Post Indicators– Both Upright and Wall Types
- Pre-Grooved Stems for Tamper Switch Attachment
- Pressure tested at 5 Times The Working Pressure

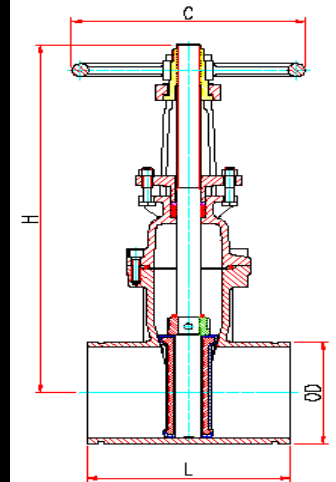
Ratings:

- Pressure tested at 5 Times The Working Pressure; Valves Comply With AWWA C515
- Valves are Rated for a Working Pressure of 21 Bars/300PSI
- Valves Have Passed A 1000 Cycle Test Requirement
- All Grooved Dimensions Comply with AWWA C606 Standard



Materials:

Body: Ductile Iron A536 65-45 12
 Bonnet: Ductile Iron A536 65-45 12
 Packing: Graphite
 Gasket: EPDM
 Stem: 304 Stainless Steel
 Wedge Nut: 304 Stainless Steel
 Wedge: Ductile Iron With EPDM Coating
 Hand Wheel: Ductile Iron A536 65-45



Size	mm	inch	mm	inch	mm	inch	mm	inch	mm	inch	mm	inch	mm	inch
Valve	65	2 1/2"	80	3"	100	4"	150	6"	200	8"	250	10"	300	12"
L	191	7 1/2"	203	8"	229	9"	267	10 1/2"	292	11 1/2"	330	13"	356	14"
H	415	16 3/8"	480	18 7/8"	550	21 5/8"	740	29 1/8"	930	36 5/8"	1130	44 1/2"	1320	52"
D	183	10"	254	10"	254	10"	305	12"	356	14"	445	17 1/2"	445	17 1/2"
OD	73.0	2 7/8"					165.1	6.5"						
	76.1	3"	88.9	3.5"	114.3	4.5"	168.3	6 5/8"	219.1	8 5/8"	273	10 3/4"	323.9	12 3/4"

Job Name: _____

Page No: _____

Section No: _____

Contractor: _____

Schedule No: _____

Purchase Order No: _____

Please consult BEECO engineering to get the latest updates On materials and specifications.

www.beecobackflow.com 1321 West 119th Street, Chicago IL, 60643
 BEECO Canada 150 Norfich Drive Unit 4, Toronto, Ontario, Canada
 M3N 1X6. Tel (416) 679-0380 Toll Free 1-800-387-3880