



# GV-OSY-GXG

Ductile Iron Grooved by Grooved 2 1/2" thru 12"

### Function:

- OS&Y Grooved by Grooved Valves Fused Epoxy Coated.
- Groove Dimensions Comply With Metric or AWWA C606 Standard

### Options:

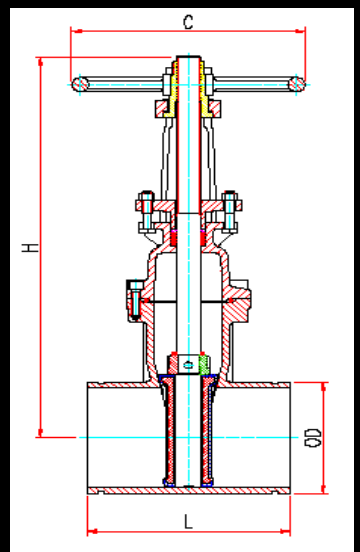
- All BEECO OSY Valves come with Stainless Steel Stem for better corrosion resistance.
- Post Indicators– Both Upright and Wall Types.
- Pre-Grooved Stems for Tamper Switch Attachment.

### Ratings:

- Valves are Rated for a Working Pressure of 16 Bars Class 125
- Valves Have a Temperature rating up to 250° F (120° C)
- Complies With AWWA C515 Standard.



Component	Material	EN Spec.	ASTM Spec.
Body	Ductile Iron	EN-JS1050	A536 65-45-12
Bonnet	Ductile Iron	EN-JS1050	A536 65-45-12
Wedge	Ductile Iron with EPDM Coated	EN-JS1050	A536 65-45-12
Stem	Stainless Steel	BS970 420S37	AISI 420
Gasket	EPDM	Commercial	Commercial
Wedge Nut	Stainless Steel	BS970 304S15	AISI 304
Bolts on bonnet flange	Carbon Steel	Commercial	Commercial
Gland	Ductile Iron	EN-JS1050	A536 65-45-12
Gland bolts	Stainless Steel	BS970 304S15	AISI 304
Yoke Nut	Bronze	EN1982 CC491K	B62 C83600
Handwheel	Ductile Iron	EN-JS1050	A536 65-45-12
Handwheel Nut	Ductile Iron	EN-JS1050	A536 65-45-12



Size	mm	inch	mm	inch	mm	inch	mm	inch	mm	inch	mm	inch	mm	inch
Valve	65	2 1/2"	80	3"	100	4"	150	6"	200	8"	250	10"	300	12"
L	191	7 1/2"	203	8"	229	9"	267	10 1/2"	292	11 1/2"	330	13"	356	14"
H	415	16 3/8"	480	18 7/8"	550	21 5/8"	740	29 1/8"	930	36 5/8"	1130	44 1/2"	1320	52"
D	183	10"	254	10"	254	10"	305	12"	356	14"	445	17 1/2"	445	17 1/2"
OD	73.0 76.1	2 7/8" 3"	88.9	3.5"	114.3	4.5"	165.1 168.3	6.5" 6 5/8"	219.1	8 5/8"	273	10 3/4"	323.9	12 3/4"

Job Name: \_\_\_\_\_ Page No: \_\_\_\_\_

Section No: \_\_\_\_\_ Contractor: \_\_\_\_\_

Schedule No: \_\_\_\_\_ Purchase Order No: \_\_\_\_\_

Please consult BEECO engineering to get the latest updates On materials and specifications.

www.beecobackflow.com 1321 West 119th Street, Chicago IL, 60643  
 BEECO Canada 150 Norfich Drive Unit 4, Toronto, Ontario, Canada  
 M3N 1X6. Tel (416) 679-0380 Toll Free 1-800-387-3880