



# DU

**Dielectric Unions**  
 (1/2" thru 2")  
 Female Iron Pipe by both Female

**Function:**

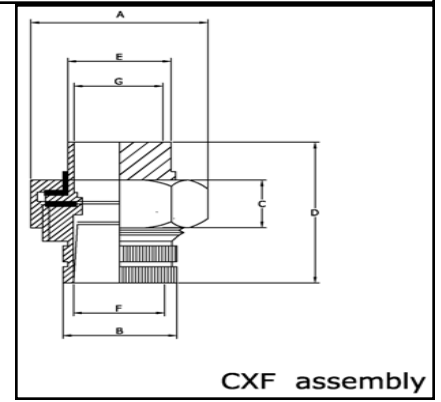
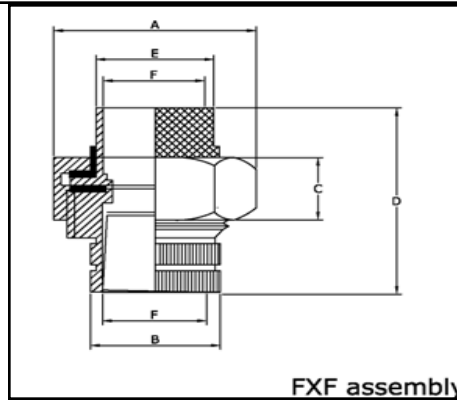
BEECO Style DU Dielectric Union Series is designed for installation and use on potable water lines. A dielectric union should be installed between pipes made of dissimilar metals to prevent the rapid acceleration of corrosion and deterioration in the piping system due to galvanic and stray electric current.

**Ratings:**

Maximum Working Pressure 250 PSI (17.2bar) Maximum working temperature 180°F (82°C)  
 Thread Connections ANSI B 1.20.1 Copper Connections ANSI B 16.22

**Materials:**

Steel nuts: conforms to ASTM A108; Brass Tailpieces  
 Insulator: Nylon; Gaskets: EPDM



FXF assembly	A	B	C	D	E	F
1/2"	1 5/8"	1"	3/4"	2 1/8"	1"	1/2" NPT
3/4"	1 7/8"	1 1/4"	3/4"	2 3/16"	1 1/4"	3/4" NPT
1"	2 1/4"	1 1/2"	7/8"	2 1/2"	1 1/2"	1" NPT
1 1/4"	2 3/4"	1 13/16"	15/16"	2 3/4"	1 7/8"	1 1/4" NPT
1 1/2"	3 1/2"	2 1/8"	15/16"	2 3/4"	2 1/8"	1 1/2" NPT
2"	4 1/8"	2 9/16"	1 1/8"	3 1/8"	2 9/16"	2" NPT

CXF assembly	A	B	C	D	E	F	G
1/2"	1 1/2"	1"	3/4"	1 7/8"	13/16"	1/2" NPT	0.630
3/4"	1 5/8"	1 1/4"	3/4"	2 1/8"	1 1/16"	3/4" NPT	0.878
1"	1 7/8"	1 1/2"	7/8"	2 5/16"	1 9/32"	1" NPT	1.130
1 1/4"	2 1/4"	1 13/16"	15/16"	2 9/16"	1 9/16"	1 1/4" NPT	1.378
1 1/2"	2 3/4"	2 1/8"	15/16"	2 13/16"	1 13/16"	1 1/2" NPT	1.630
2"	3 1/2"	2 9/16"	1 1/8"	3 1/8"	2 3/8"	2" NPT	2.130

Job Name: \_\_\_\_\_ Page No: \_\_\_\_\_  
 Section No: \_\_\_\_\_ Contractor: \_\_\_\_\_  
 Schedule No: \_\_\_\_\_ Purchase Order No: \_\_\_\_\_

Please consult BEECO engineering to get the latest updates On materials and specifications. [www.beecobackflow.com](http://www.beecobackflow.com) 1321 West 119th Street, Chicago IL, 60643  
 BEECO Canada 150 Norfich Drive Unit 4, Toronto, Ontario, Canada M3N 1X6. Tel (416) 679-0380 Toll Free 1-800-387-3880