



BV

Bronze Ball Valves
Full Port, Threaded and Sweat
Connections 1/2" thru 2"

Function:

The BEECO Full Port Bronze Ball Valve Series are used in Commercial and Industrial applications and are used on a full range of liquids and gases. It features an adjustable packing nut along with a blow out proof stem design. The BEECO full port valve offers some of the lowest pressure drops in the market.

Ratings:

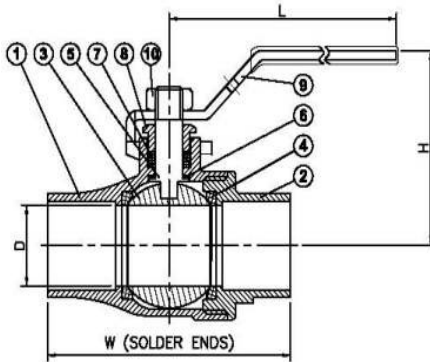
600WOG and 150SWP. Conform to Federal Specification WW-V-35, Type II Class A, Style 3 & MSS SP-110.

Materials:

Body: ASTM B584 C84400. Cap: ASTM B584 C84400.
Ball: Copper Alloy Chrome Plated Stem & Gland: Copper Alloy
Handle & Handle Nut: Plated Carbon Steel Thrust Washer & Packing PTFE

Features:

Each Valve 100% factory tested, standard options, Locking Handle, Stainless Steel Handle and Stainless Steel Nut. All valves are of full port construction to minimize pressure drop through the piping system.



MATERIALS LIST:

NO.	PART	SPECIFICATION
1	BODY	BRONZE ASTM B584 C84400
2	CAP	BRONZE ASTM B584 C84400
3	BALL	COPPER ALLOY, CHROME PLATED
4	SEAT	PTFE
5	STEM	COPPER ALLOY
6	THRUST WASHER	PTFE
7	PACKING	PTFE
8	GLAND	COPPER ALLOY
9	HANDLE	CARBON STEEL PLATED
10	NUT	CARBON STEEL PLATED

OPTION: (Code: Description)

AG: Locking Handle (Available in 1/4" to 2")



SIZE		D		THREADED ENDS		SOLDER ENDS		H		L	
IN	MM	IN	MM	IN	MM	IN	MM	IN	MM	IN	MM
1/2"	15	0.50	12.7	2.11	53.7	2.09	53.0	1.96	41.0	3.54	92.5
3/4"	20	0.75	19.0	2.39	60.6	2.83	72.0	2.14	54.0	3.54	92.5
1"	25	1.00	25.0	2.90	73.6	3.45	87.6	2.52	64.1	4.39	111.5
1 1/4"	32	1.25	30.5	3.30	83.8	3.87	96.2	2.68	71.5	4.39	111.5
1 1/2"	40	1.50	38.0	3.63	92.2	4.46	113.2	3.16	81.8	5.10	155.0
2"	50	2.00	50.0	4.15	105.5	5.51	140.0	3.54	100.8	5.10	155.0

Job Name: _____

Page No: _____

Section No: _____

Contractor: _____

Schedule No: _____

Purchase Order No: _____

Please consult BEECO engineering to get the latest updates On materials and specifications.

www.beecobackflow.com 1321 West 119th Street, Chicago IL, 60643
BEECO Canada 150 Norfich Drive Unit 4, Toronto, Ontario, Canada
M3N 1X6. Tel (416) 679-0380 Toll Free 1-800-387-3880