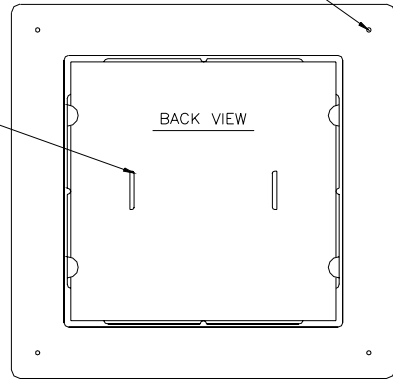


INSIDE PULL TABS (2)

HOLE LOCATORS (4)



SCHEDULE

ITEM	QTY	NOMINAL SIZE	FRAME INSIDE DIM.		FRAME OUTSIDE DIM.		WALL OPENING		IDENTIFICATION
			'A' WIDTH	'B' HEIGHT	'C'	'D'	'E'	'F'	
		8 X 8	7 3/4"	7 3/4"	11"	11"	7 7/8"	7 7/8"	
		14 X 14	13 3/4"	13 3/4"	17"	17"	13 7/8"	13 7/8"	
		14 X 29	13 3/4"	28 3/4"	17"	32"	13 7/8"	28 7/8"	

NOTES

- DO NOT INSTALL THIS PRODUCT IN FIRE PROOF WALLS AND/OR CEILINGS AND/OR NEAR ANY EXISTING OR POTENTIAL SOURCE OF HEAT OR OPEN FLAME.
- SPECIAL SIZES ARE NOT AVAILABLE.

SPECIFICATIONS

<p><u>FRAME</u> .125" PVC PLASTIC</p>			<p><u>HINGE</u> NOT AVAILABLE</p>			<p><u>FINISH</u> WHITE</p>			PROJECT / LOCATION
<p><u>PANEL</u> .125" PVC PLASTIC</p>			<p><u>LATCH(ES)</u> SNAP-IN DOOR PANEL</p>						ARCHITECT / ENGINEER
									CONTRACTOR
									DISTRIBUTOR / REPRESENTATIVE
									MIFAB MANUFACTURING MPLS., MN PH. (612) 535-1328•FAX (612) 535-1350
									Job No.
ACCESS PANEL STYLE "PA"									