

Location: _____

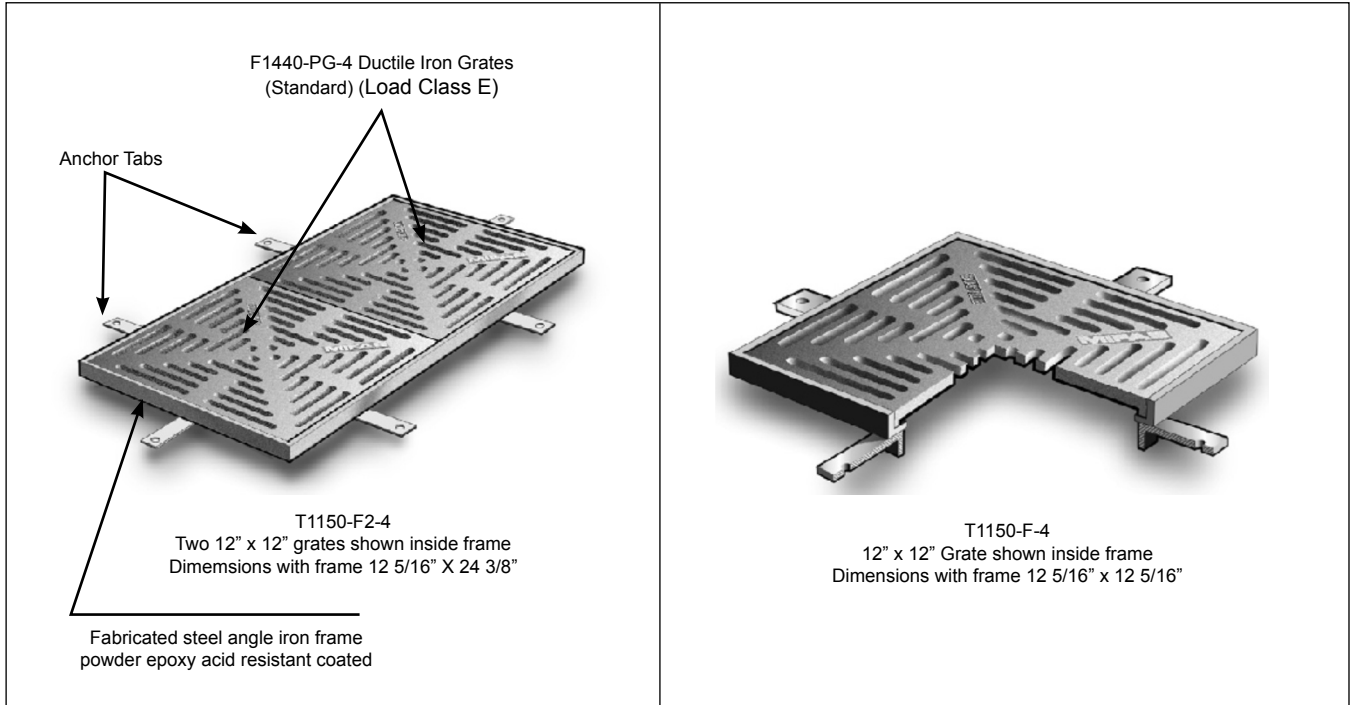


T1150-(F)

**12" x 12" TRENCH DRAIN GRATE WITH
OPTIONAL "F" ANGLE FRAME**

Specification: MIFAB® Series T1150-F, 12" wide, frame and grate system available in 12" long increments with a heavy duty angle iron frame assembly (1" x 1" x 1/8") for all grates to secure to and finished with an acid resistant powder epoxy coating. Each 12" long section has two 1" x 2" long anchor tabs / leveling devices for securing into the surrounding concrete. Complete with MIFAB's standard ductile iron grate (F1440-PG-4). Load Class E.

Function: Used in airports, car washes, malls, parking lots, factories and any other facilities that require areas of surface drainage. The standard heavy duty angle iron frame provides for maximum load bearing capability. No body is provided as the channel is typically formed into the concrete by the installer. An infinite number of sections can be assembled together to serve any requirement.



MODEL NUMBER	SIZE	GRATE MATERIAL	FRAME MATERIAL
T1150-4	12" x 12" grate	Ductile Iron	None
T1150-4-3	12" x 12" grate	Ductile Iron, Stainless Steel veneer	None
T1150-F-4	12 1/4" x 12 1/4" section	Ductile Iron	Steel
T1150-F2-4	12 1/4" x 24 1/4" section	Ductile Iron	Steel
T1150-F-4-3	12 1/4" x 12 1/4" section	Ductile Iron, Stainless Steel veneer	Stainless Steel
T1150-F2-4-3	12 1/4" x 24 1/4" section	Ductile Iron, Stainless Steel veneer	Stainless Steel

Suffix	Description
-6	Vandal proof – per grate (H-1072)
-11	All acid resistant epoxy coated – per section
-13	All galvanized – per section

CALIFORNIA PROPOSITION 65 WARNING. This product contains chemicals known to the State of California to cause cancer and birth defects or other reproductive harm.

Job Name: _____ Page No: _____
 Section No: _____ Contractor: _____
 Schedule No: _____ Purchase Order No: _____

MIFAB reserves the right to make changes in material and design without formal notice and obligation.

USA: 1-800-465-2736 www.mifab.com CAN: 1-800-387-3880