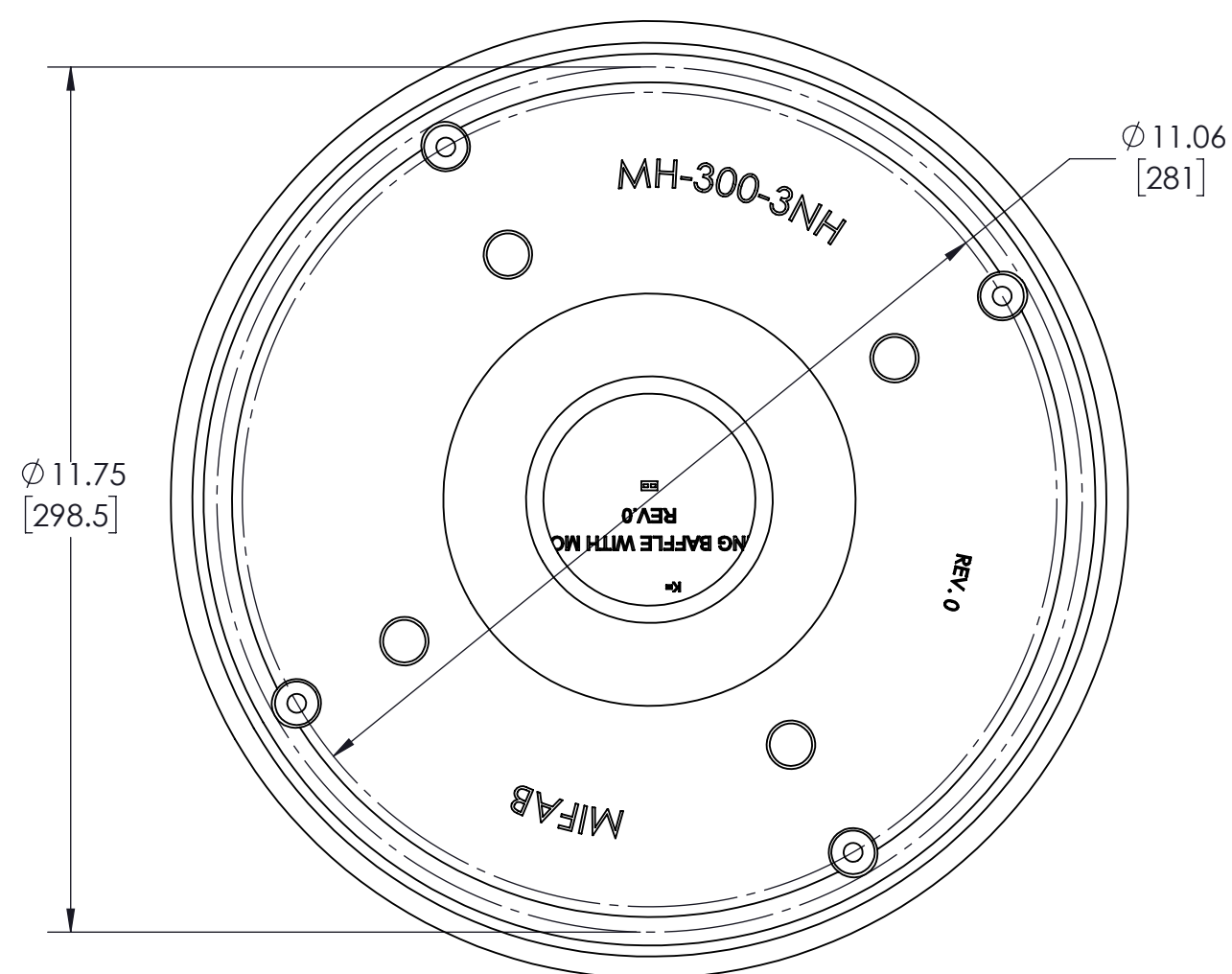


SECTION A-A



(2)H-1562,
5/16" X 1.5" ZINC PLT.
BUTTON HEAD HEX SCREW

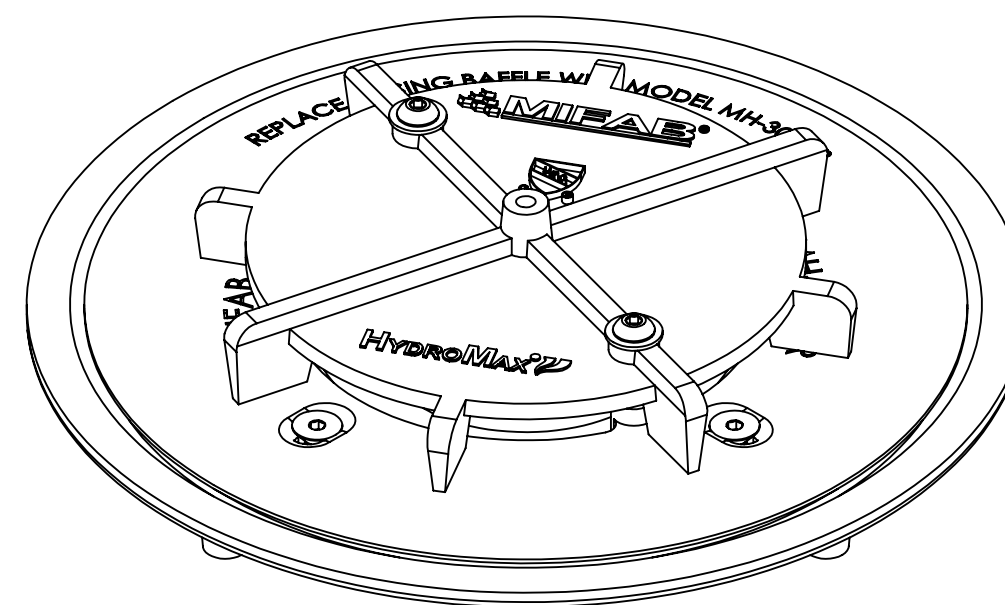
(2)H-1559,
5/16" ZINC PLT. WASHER

(1)MH-300-SR

(4)H-1415,
5/16"-18 X 3/4" ZINC PLT
FLAT HEAD HEX SCREW

(1)MH-300-FR

(1)MH-300-3NH



LASER/SHEAR:	UNLESS OTHERWISE SPECIFIED: DIMENSIONS ARE IN INCHES	NAME	DATE
BRAKE PRESS:	TOLERANCES: FRACTIONAL ±1/16	DRAWN	KT 09/24/15
WELDED BY:	ANGULAR: MACH ±1° BEND ±1°	CHECKED	
CLEAN/PAINT:	TWO PLACE DECIMAL ±.015	ENG APPR.	
COMPLETED BY:	THREE PLACE DECIMAL ±.010	MFG APPR.	
REVIEWED BY:	TYPICAL DRAFT ANGLE 2°	Q.A.	
NEXT ASSY	MATERIAL DESCRIPTION	QUANTITY:	
USED ON	FINISH PART#		
APPLICATION	DO NOT SCALE DRAWING		

MIFAB
HydroMax
Leaders In Siphonic Drainage

TITLE: **3" SIPHONIC DRAIN**

SIZE DWG. NO. REV
C MH-300

SCALE: 2:5 WEIGHT: 20 LB SHEET 1 OF 1

PROPRIETARY AND CONFIDENTIAL
THE INFORMATION CONTAINED IN THIS
DRAWING IS THE SOLE PROPERTY OF
MIFAB, INC. ANY REPRODUCTION IN
PART OR AS A WHOLE WITHOUT THE
WRITTEN PERMISSION OF MIFAB, INC. IS
PROHIBITED.