

Location: \_\_\_\_\_

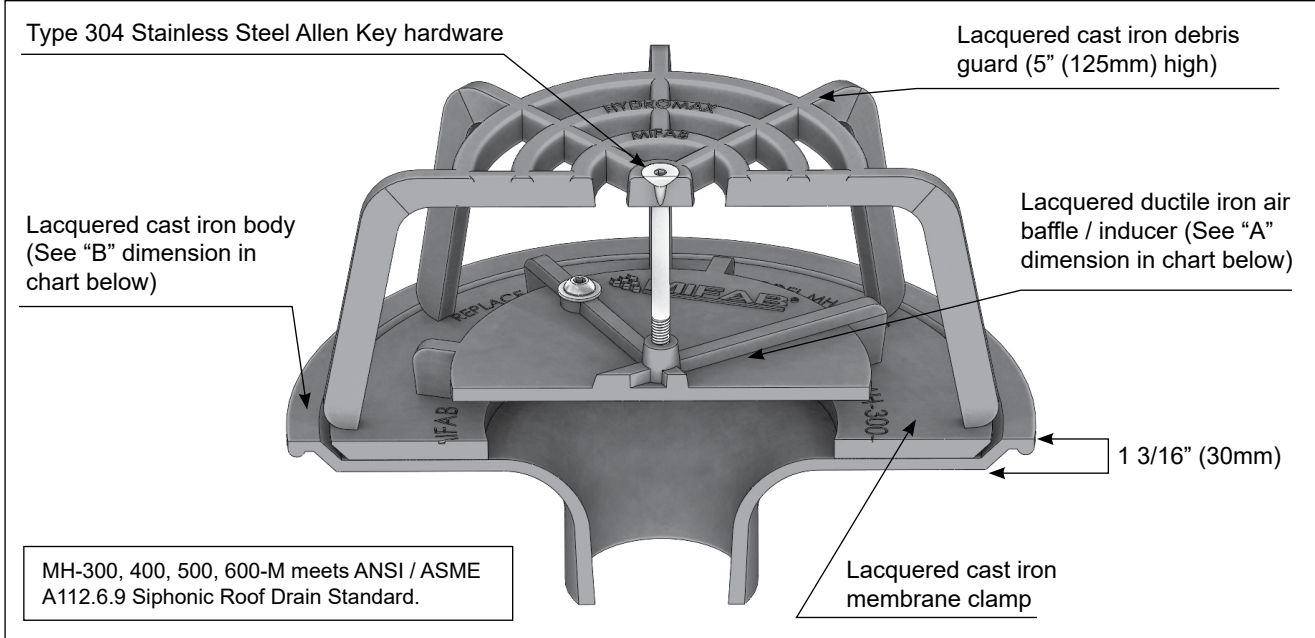


**MH-300, 400,  
500, 600-DG**

**SIPHONIC ROOF DRAIN WITH  
DEBRIS GUARD**

**Specification:** MIFAB® / Hydromax Series MH-300, 400, 500, 600-DG (specify outlet connection size) lacquered cast iron siphonic roof drain with wide anchor flange, cast iron waterproofing membrane clamp ring, ductile iron air baffle / inducer with Type 304 stainless steel allen key hardware and cast iron debris guard.

**Function:** Used in any type of roofs as a siphonic roof drain system. The debris guard will prevent debris and other objects from clogging the drain.



| MODEL NUMBER | PIPE SIZE | BODY HEIGHT NO HUB (STANDARD) | PERFORMANCE AND DIMENSION INFORMATION |                         |                         |                                   |                   |
|--------------|-----------|-------------------------------|---------------------------------------|-------------------------|-------------------------|-----------------------------------|-------------------|
|              |           |                               | Resistance Value (K)                  | Minimum Flow Rate (GPM) | Maximum Flow Rate (GPM) | "A" Air Baffle / Inducer Diameter | "B" Body Diameter |
| MH-300-DG    | 3" (76)   | 3 1/8" (79)                   | 0.12                                  | 23.00                   | 415.00                  | 8 7/8" (225)                      | 13" (330)         |
| MH-400-DG    | 4" (102)  | 3 1/2" (90)                   | 0.08                                  | 75.00                   | 750.00                  | 12 1/5" (310)                     | 19 3/8" (492)     |
| MH-500-DG    | 5" (125)  | 4 3/8" (110)                  | 0.04                                  | 120.00                  | 1,300.00                | 14 5/8" (371)                     | 19 3/8" (492)     |
| MH-600-DG    | 6" (152)  | 4 3/4" (120)                  | 0.04                                  | 160.00                  | 1,800.00                | 17 7/8" (454)                     | 25 1/4" (640)     |

| Suffix | Description                              |
|--------|--|
| -11    | Acid resistant epoxy coated body         |
| -12    | Galvanized metal dome                    |
| -12A   | Galvanized body and membrane clamp       |
| -12B   | Galvanized metal dome and membrane clamp |
| -13    | Galvanized body, membrane clamp and dome |
| -BP    | Sump receiver / Bearing pan              |
| -BA    | Buy American Act Compliant product       |
| -C     | Secondary clamp                          |
| -E     | Adjustable extension                     |
| -G     | Stainless steel ballast guard            |
| -PA    | Pennsylvania Steel Act compliant product |
| -UDC   | Underdeck clamp                          |

CALIFORNIA PROPOSITION 65 WARNING. This product contains chemicals known to the State of California to cause cancer and birth defects or other reproductive harm.

Job Name: \_\_\_\_\_ Page No: \_\_\_\_\_  
 Section No: \_\_\_\_\_ Contractor: \_\_\_\_\_  
 Schedule No: \_\_\_\_\_ Purchase Order No: \_\_\_\_\_