

Location: _____



P8400

Stainless Steel Fabricated Washing Machine Box

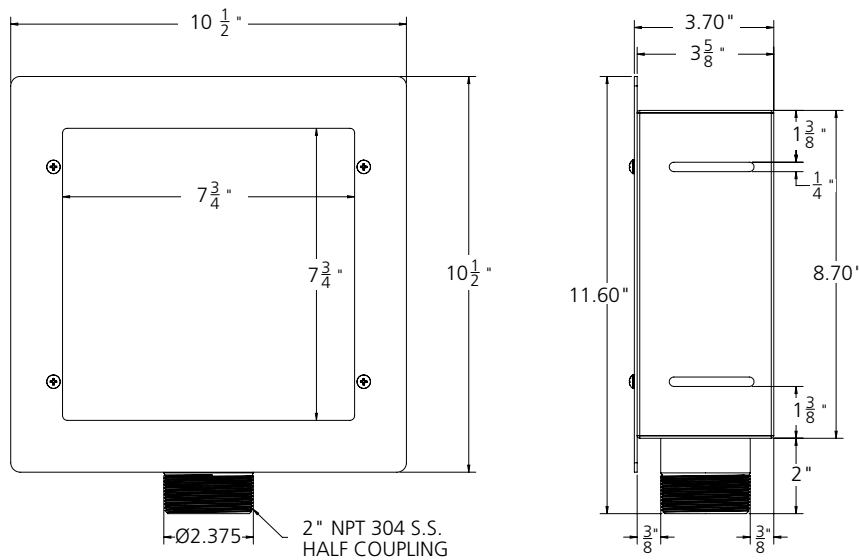
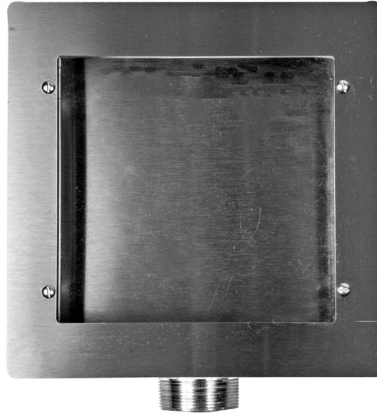
SPECIFICATION:

MIFAB® Series P8400 washing machine box manufactured out of 16 gauge, Type 304 stainless steel with mounting tabs and 2" NPT bottom outlet (Specify -90 for side inlet and -91 for top inlet).

FUNCTION:

Used to house the controls required to operate washing machines. Stainless steel construction provides an anti-microbial finish.

Note: Every order of this product is a special / custom order fabrication. This product is non returnable and noncancellable.



MODEL NUMBER	DESCRIPTION
P8400	Type 304, Stainless Steel Washing Machine Box
P8400-29	Type 316, Stainless Steel Washing Machine Box

SUFFIX	OPTIONAL VARIATIONS
-90	90 Degree Outlet
-91	Intlet on the top

Job Name: _____ Page No: _____
 Section No: _____ Contract: _____
 Schedule No: _____ Purchase Order No: _____