

Location: \_\_\_\_\_

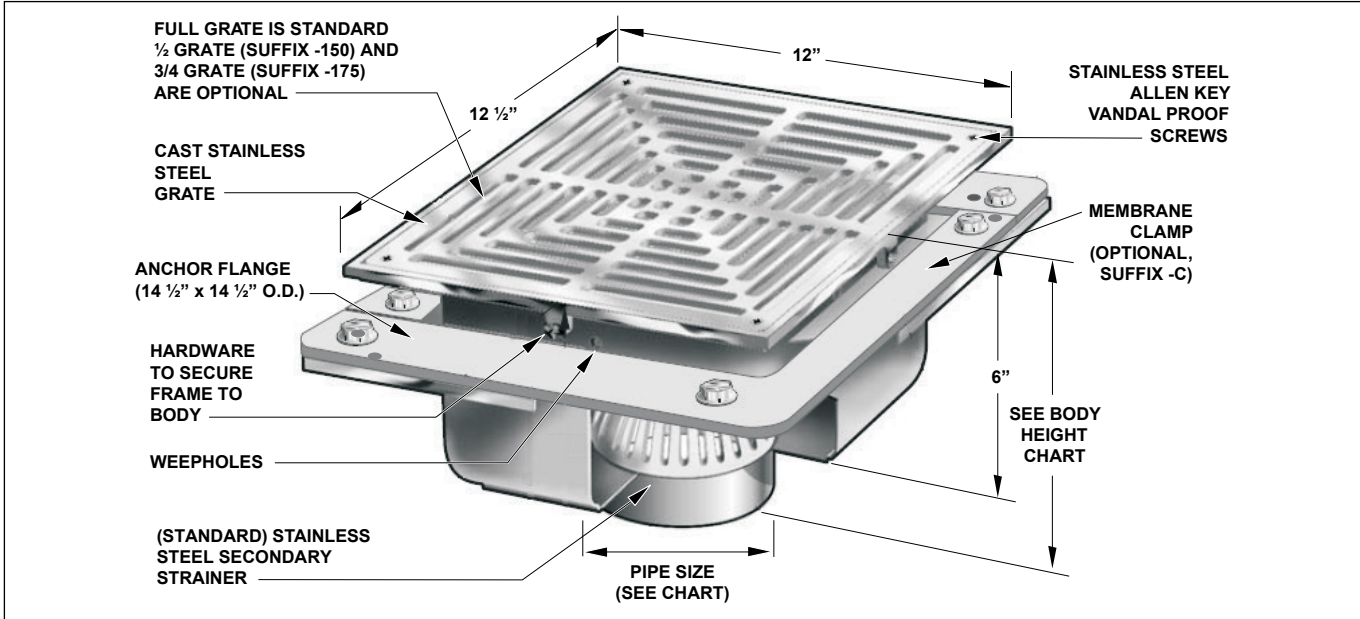


**FS1920-FL**

**12" X 12" X 6" STAINLESS STEEL FLOOR AREA AND  
INDIRECT SANITARY WASTE DRAIN WITH FLANGE**

**Specification:** MIFAB Series FS1920-FL, 12" x 12" x 6" deep 16 gauge, All Type 304 (CF8) stainless steel sanitary floor area and indirect waste drain complete with cast stainless steel secured rim and grate with allen key vandal proof stainless steel screws, stainless steel anchor flange with weepholes and anti-splash dome strainer.

**Function:** Used in kitchens, restaurants, breweries, dairies, creameries, food processing locations, nuclear, gas and coal fired power stations, chemical plants, laboratories and other areas where the corrosion resistance of Type 304 stainless steel is required for superior sanitation. The anchor flange is designed to receive water proofing membrane. A membrane clamp (Suffix -C) is recommended to secure the water proofing membrane to the anchor flange.



PIPE SIZE	BODY HEIGHT				
	NO HUB (STANDARD)	PUSH ON (P)	THREADED (T)	INSIDE CAULK (X)	PVC (-30) / ABS (-31)
2" (51)	9 3/8" (238)	9 3/4" (248)	8 5/8" (219)	10 1/8" (257)	9" (229)
3" (76)	9 3/8" (238)	9 3/4" (248)	9" (229)	10 1/8" (257)	9 5/8" (244)
4" (102)	9 1/2" (241)	9 3/4" (248)	9" (229)	9 7/8" (251)	9 7/8" (251)

SUFFIX	OPTIONAL VARIATIONS
-1	Nickel bronze frame and grate
-3	Stainless steel frame and grate
-5	Sediment bucket
-6	Security screws (1, -3 only, T-20 Torx and pin)
-7	1/2" trap seal primer connection
-8	Backwater valve (2", 3" or 4" only)
-9	Hinged grate (-3 only)
-21	Secondary flat stainless steel strainer
-22	Less grate
-28	Stainless steel A1 body outlet
-30	PVC outlet
-31	ABS outlet
-32	Deep seal trap with flushing connection
-50	A.R.E. coated cast iron funnel
-51	2 1/2" round center hole in grate (-1, -3 only)
-69	Stainless steel sediment bucket
-83	Stainless steel mesh screen over sediment bucket

-90	Threaded side outlet
-90NH	No hub side outlet
-95	Client logo (-1, -3 only)
-150	1/2" grate
-175	3/4" grate
-BA	Buy American Act compliant product
(Standard)	No hub outlet
-C	Membrane Clamps
-F4	4" round funnel
-F6	6" round funnel
-G	4" x 9" oval funnel
-J	3" x 1" oval funnel
-P	Push on outlet
-PA	Pennsylvania Steel Act compliant product
-T	Threaded outlet
X	Inside caulk outlet
-Z	Extended wide elastomeric flange (with -FL only)

CALIFORNIA PROPOSITION 65 WARNING. This product contains chemicals known to the State of California to cause cancer and birth defects or other reproductive harm.

Job Name: \_\_\_\_\_  
 Section No: \_\_\_\_\_  
 Schedule No: \_\_\_\_\_

Page No: \_\_\_\_\_  
 Contractor: \_\_\_\_\_  
 Purchase Order No: \_\_\_\_\_