

Location: _____

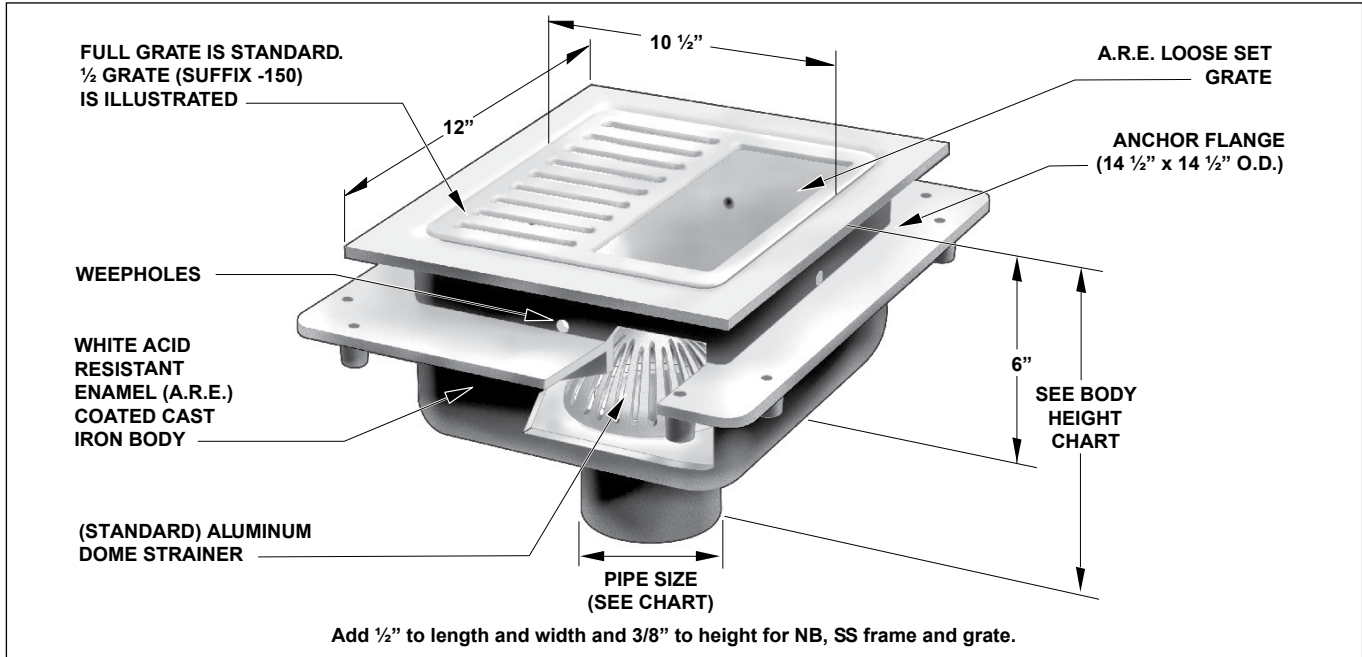


FS1720-FL

**12" X 12" X 6" FLOOR AREA AND INDIRECT
SANITARY WASTE DRAIN WITH FLANGE**

Specification: MIFAB Series FS1720-FL, 12" x 12" x 6" deep cast iron floor area and indirect sanitary waste drain complete with white acid resistant porcelain enamel coated interior and loose set grate and anchor flange with weepholes. Anti-splash aluminum dome strainer included.

Function: Used in kitchens, restaurants, grocery stores, hospitals, schools, and other areas that require a large volume sanitary drain. The anchor flange is engineered to receive water proofing membrane. Membrane clamps are recommended for use with the anchor flange (Suffix -C). The light duty grate is not suitable for foot traffic.



PIPE SIZE	BODY HEIGHT				
	NO HUB (STANDARD)	PUSH ON (P)	THREADED (T)	INSIDE CAULK (X)	PVC (-30) / ABS (-31)
2" (51)	7 3/4" (197)	7 3/4" (197)	*8 1/2" (216)	8 5/8" (219)	*9 1/4" (235)
3" (76)	7 3/4" (197)	7 3/4" (197)	*8 7/8" (225)	8 5/8" (219)	*9 1/4" (235)
4" (102)	7 3/4" (197)	7 3/4" (197)	*8 7/8" (225)	8 5/8" (219)	*9 1/4" (235)

*Indicates outlet size and connection available with transition outlet body only. Outlet sizes indicated by the * are available with the transition outlet body only

SUFFIX OPTIONAL VARIATIONS

- 1 Nickel bronze frame and grate
- 3 Stainless steel frame and grate
- 5 Sediment bucket
- 6 Security screws (1, -3 only, T-20 Torx and pin)
- 7 1/2" trap seal primer connection
- 8 Backwater valve (2", 3" or 4" only)
- 9 Hinged grate (-3 only)
- 21 Secondary flat stainless steel strainer
- 22 Less grate
- see FS1920-FL Stainless steel body (Type 304)
- see FS1920-FL Stainless steel body (Type 316)
- 30 PVC outlet
- 31 ABS outlet
- 32 Deep seal trap with flushing connection
- 50 A.R.E. coated cast iron funnel
- 51 2 1/2" round center hole in grate (-1, -3 only)
- 69 Stainless steel sediment bucket
- 83 Stainless steel mesh screen over sediment bucket

SUFFIX OPTIONAL VARIATIONS

- 90 Threaded side outlet
- 90NH No hub side outlet
- 95 Client logo (-1, -3 only)
- 150 1/2" PVC grate
- 175 3/4" PVC grate
- BA Minimum 51% material cost made in the USA
- (Standard) No hub outlet
- C Membrane clamp with hardware
- F4 4" round funnel
- F6 6" round funnel
- FL Anchor flange
- G 4" x 9" oval funnel
- J 3" x 1" oval funnel
- P Push on outlet
- PA Pennsylvania Steel Act compliant product
- T Threaded outlet
- X Inside caulk outlet
- Z Extended wide elastomeric flange (with -FL only)

CALIFORNIA PROPOSITION 65 WARNING. This product contains chemicals known to the State of California to cause cancer and birth defects or other reproductive harm.

Job Name: _____ Page No: _____
 Section No: _____ Contractor: _____
 Schedule No: _____ Purchase Order No: _____