

Location: _____

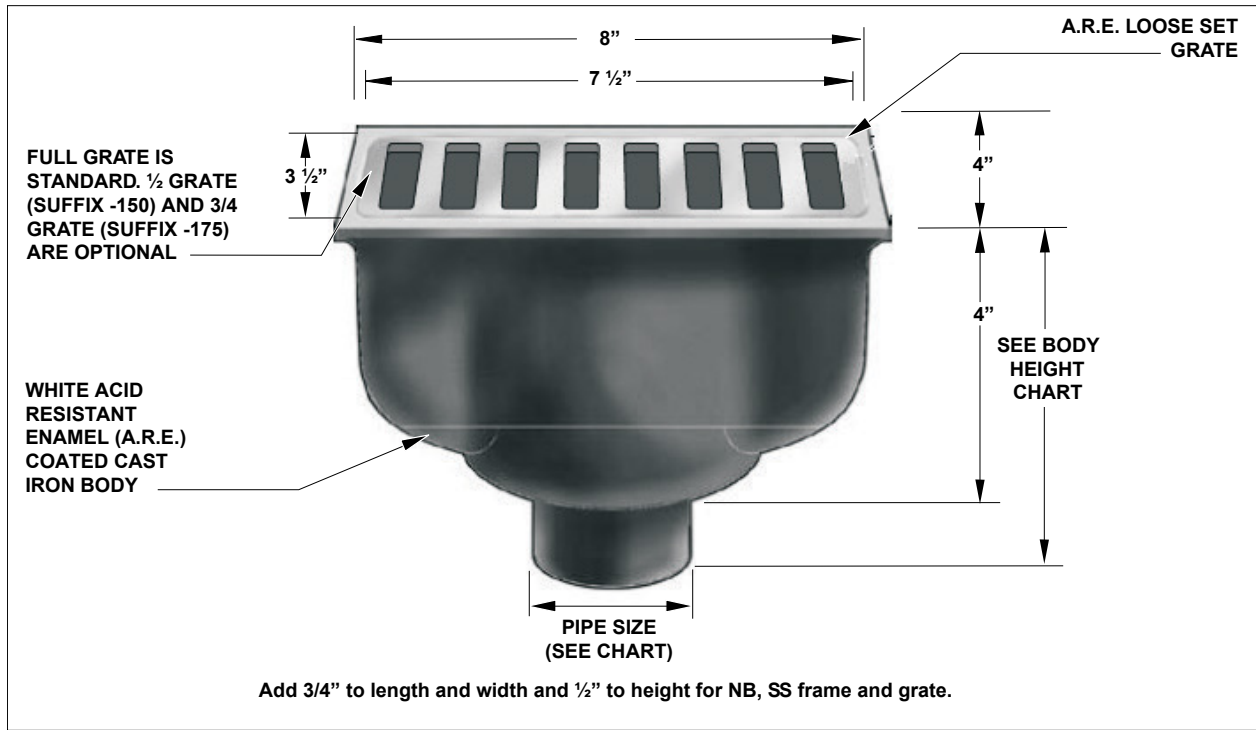


FS1530

**8" X 4" X 4" FLOOR AREA AND
INDIRECT SANITARY WASTE DRAIN**

Specification: MIFAB Series FS1530, 8" x 4" x 4" deep cast iron floor area and indirect sanitary waste drain complete with white acid resistant porcelain enamel coated interior and loose set grate. Anti-splash aluminum dome strainer included.

Function: Used in kitchens, restaurants, grocery stores, hospitals, schools, and other areas that require a small volume sanitary drain. Regular top is recommended for installation under counters and along walls. The light duty grate is not suitable for foot traffic.



PIPE SIZE	BODY HEIGHT				
	NO HUB (STANDARD)	PUSH ON (P)	THREADED (T)	INSIDE CAULK (X)	PVC/ABS (-30)/(-31)
2" (51)	*6 1/2" (165)	*7 1/4" (184)	*6 1/2" (165)	*8" (203)	*7 1/4" (184)
3" (76)	*6 1/2" (165)	*7 1/4" (184)	*6 7/8" (175)	*8" (203)	*7 1/4" (184)
4" (102)	*6 1/2" (165)	*7 1/4" (184)	*6 7/8" (175)	*8" (203)	*7 1/4" (184)

*Indicates outlet size and connection available with transition outlet body only

Outlet sizes indicated by the * are available with the transition outlet body only

SUFFIX OPTIONAL VARIATIONS

- 1 Nickel bronze frame and grate
- 3 Stainless steel frame and grate
- 5 Sediment bucket
- 6 Security screws (1, -3 only, H-1039A, 4 pcs.)
- 7 1/2" trap seal primer connection
- 8 Backwater valve (2", 3" or 4")
- 21 Secondary flat stainless steel strainer
- 22 Less grate
- 30 PVC outlet
- 31 ABS outlet
- 32 Deep seal trap with flushing connection
- 50 A.R.E. coated cast iron funnel
- 51 2 1/2" round center hole in grate (-1, -3 only)
- 69 Stainless steel sediment bucket
- 83 Stainless steel mesh screen over sediment bucket
- 90 Threaded side outlet
- 90NH No hub side outlet

SUFFIX OPTIONAL VARIATIONS

- 95 Client logo (-1, -3 only)
- 150 1/2" PVC grate
- 175 3/4" PVC grate
- BA Minimum 51% material cost made in the USA
- (Standard) No hub outlet
- C Membrane clamp with hardware
- F4 4" round funnel
- F6 6" round funnel
- FL Anchor flange
- G 4" x 9" oval funnel
- J 3" x 1" oval funnel
- P Push on outlet
- PA Pennsylvania Steel Act compliant product
- T Threaded outlet
- X Inside caulk outlet
- Z Extended wide elastomeric flange (with -FL only)

CALIFORNIA PROPOSITION 65 WARNING. This product contains chemicals known to the State of California to cause cancer and birth defects or other reproductive harm.

Job Name: _____ Page No: _____
 Section No: _____ Contractor: _____
 Schedule No: _____ Purchase Order No: _____