

Location: _____

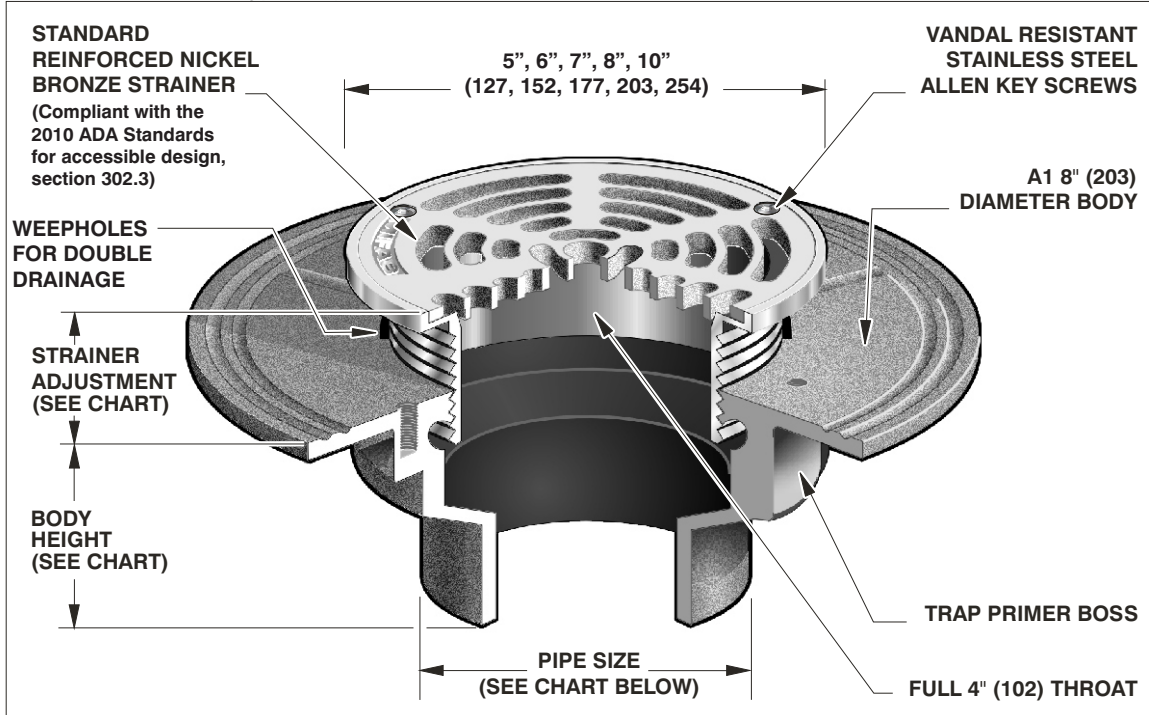


F1100

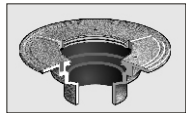
FLOOR DRAIN FOR NON-MEMBRANE FLOOR AREAS

Specification: MIFAB® Series F1100 (*)-1 (* specify strainer diameter) lacquered cast iron floor drain with anchor flange, and standard satin finished nickel bronze strainer with vandal resistant stainless steel allen key screws. (For membrane floors, add -C to the Series number).

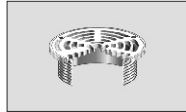
Function: Used in showers, kitchens, restrooms, and other non-membrane finished areas. Round adjustable nickel bronze strainer is used for all types of poured finished floors.



PARTS:



A1 BODY



(*)-(**)
(*) Denotes Strainer Size
(**) Denotes Strainer Finish
(-1, -3 or -4)

F1100 Series meets ANSI/ASME floor drain standard A112.6.3-2001

Metric equivalents see chart below. (Dimension) Denotes Millimetres

STRAINER DIAMETER	STRAINER ADJUSTMENT		ANSI/ASME RATING		PIPE SIZE	BODY HEIGHT				
	MIN	MAX	FREE AREA	LOAD RATING N.B. (-1) D.I. (-4)		NO HUB (STANDARD)	PUSH ON (P)	THREADED (T)	INSIDE CAULK (X)	PVC/ABS (-30)/(-31)
5" (127)	1/2" (13)	1 1/2" (38)	8 in ² (5200 ²)	UP TO 2000 LBS. OVER 10000 LBS.	2" (51)	3" (76)	3 3/8" (86)	2 1/4" (57)	3 3/4" (95)	2 15/16" (75)
6" (152)	11/16" (17)	1 1/2" (38)	9 in ² (5800 ²)	UP TO 2000 LBS. —	3" (76)	3" (76)	3 3/8" (86)	2 5/8" (67)	3 3/4" (95)	3 3/4" (95)
7" (177)	9/16" (14)	1 9/16" (40)	12 in ² (7700 ²)	UP TO 2000 LBS. —	4" (102)	3" (76)	3 3/8" (86)	2 5/8" (67)	3 3/4" (95)	3 3/4" (95)
8" (203)	1 1/16" (17)	2 1/4" (57)	18 in ² (11600 ²)	UP TO 2000 LBS. OVER 10000 LBS.	5" (127)	3" (76)	—	2 5/8" (67)	3 3/4" (95)	—
10" (254)	1 1/16" (17)	2 1/4" (57)	26 in ² (17170 ²)	UP TO 2000 LBS. —	6" (152)	3 1/4" (83)	6 1/2" (165)	—	—	—

- | | | | | |
|---------------|--|---------------|---|---|
| SUFFIX | OPTIONAL VARIATIONS: | SUFFIX | SUFFIX | |
| -1 | Nickel bronze strainer (standard) | -30 | PVC socket connection body | |
| -2 | Polished brass strainer (5" only) | -31 | ABS socket connection body | |
| -3 | Stainless steel strainer | -34 | Closure plug | |
| -4 | Ductile iron strainer (5", 8" only) | -40 | Underdeck clamp | |
| -5 | Sediment bucket | -41 | Sump receiver | |
| -6 | Security screws (T-20 Torx & pin) | -49 | Chrome plated strainer | |
| -7 | 1/2" trap seal primer connection | -50 | Lacquered cast iron funnel | |
| -8 | Backwater valve (2", 3", 4") | -90 | Threaded side outlet (2", 3", 4")
(cast iron only) | |
| -11 | Acid resistant epoxy coated body | -90NH | No hub side outlet (2", 3", 4")
(cast iron only) | |
| -13 | Galvanized body | -95 | Client logo | |
| -15 | Extension | -65 | 6i m5a YfVWb 5Vh compliant product | |
| -21 | Secondary flat stainless steel strainer (2", 3", 4") | | | |
| -28 | Stainless steel body (Type 304) | | | |
| | | | SUFFIX | |
| | | | -C | Membrane clamp
(min. 1 9/16" (40)) |
| | | | -C1 | Clamp ring for low rough-in
(min. 1/2" (13)) |
| | | | -F4 | 4" Round funnel |
| | | | -F6 | 6" Round funnel |
| | | | -G | Oval 4" x 9" funnel |
| | | | -HP | Heel proof grate (1/4" maximum grate opening size, -3 only) |
| | | | -J | 3" x 1" funnel |
| | | | (Standard) | No hub outlet |
| | | | P | Push on outlet |
| | | | -PA | Pennsylvania Steel Act compliant product |
| | | | T | Threaded outlet (2", 3", 4") |
| | | | X | Inside caulk outlet |
| | | | -Z | Extended wide elastomeric flange |

Job Name: _____ Page No: _____
 Section No: _____ Contractor: _____
 Schedule No: _____ Purchase Order No: _____

MIFAB reserves the right to make changes in material and design without formal notice and obligation.