

Location: _____



AV-MS

AIR RELEASE AND VACUUM BREAK VALVE

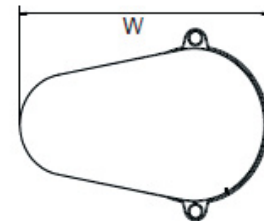
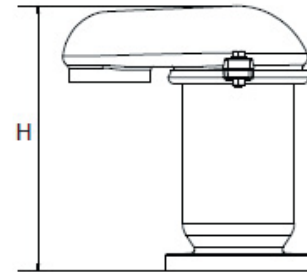
Specification: The standard Beeco Air and Vacuum Valve (K) exhausts large quantities of air when the system is filling. The valve will remain open until the liquid has reached the float and is lifted into its seat, closing the valve. Likewise when a vacuum occurs, the float will drop, allowing air into the system to prevent pipe collapsing due to the negative pressure.

Ratings: The MS Series is a reduced port series and comes in both Standard Pressure 230 PSI and High Pressure 350 PSI.

Features: The Beeco Combination Air Valve (KA) performs the same function as the standard (K) series allowing large volumes of air in and out of the pipeline as air accumulates or as vacuums occur. However, the (KA) series allows smaller volumes of air to be released, as well. This valve is furnished with a top float and bottom float. Air bubbles can form in a pressurized system from open sources and pumping vortexes which will accumulate at high points in the pipeline. The accumulated air forces the liquid out of the valve chamber, so that the floating force of the bottom float decreases. The bottom float then drops, allowing for the trapped air to be vented through a small nozzle located in the top float.

Dimensions & Weights

Non. diameter		Height (H)		Width (W)		d-Kinetic orifice area		Approx. shipping weight	
inch	mm	inch	mm	inch	mm	inch ²	mm ²	kg	lbs
2	50	9.8	250	6.5	165	3.0	1960	7.5	16.5
3	80	9.8	250	7.9	200	3.0	1960	9.0	19.8
4	100	11	280	9.3	235	7.8	5025	14.0	30.9
6	150	15.7	400	11.8	300	12.2	7855	31.0	68.3
8	200	17.3	440	14.2	360	27.4	17670	56.0	125
10	250	19.7	500	16.7	425	48.7	31415	124	273
12	300	26.8	680	19.1	485	76.1	49090	210	467



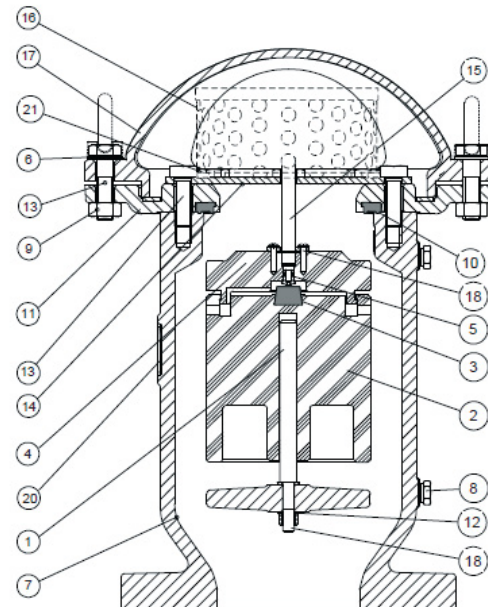
Connections: ISO, ANSI, BS, JIS flanges, BSP, NPT threads (50mm valves only)

Specifications

Normal sizes	2" / 50mm to 12" / 300mm
Pressure rating	Pn16 (230 psi) and Pn25 (350 psi)
Minimal pressure for drip-tight sealing	0.2 bar
Max. Temperature	150°F (65°C)

Components

No.	Description	Material	Note
1	Main guiding shaft	SST 304	
2	Main Float	HDPE	
3	Nozzle Seal	EPDM	
4	Top Float	HDPE	
5	Nozzle	SST 334	
6	Washer	SST 334	DIN125-A2
7	Body	D.I. ISO 1083 GR 400-15	
8	Plug	Brass EN 12165 CW617N	
9	Nut	SST 304	DIN934-A2
10	Seal	NR	
11	Seal Flange	D.I. ISO 1083 GR 400-15	
12	Washer	SST 304	DIN125-A2
13	Bolt	SST 304	
14	Top shaft guide	SST 304	
15	Top shaft	SST 304	DIN993-A2
16	Screen	SST 304	
17	Cover	D.I. ISO 1083GR 400-15	
18	Bolt	SST 304	
19	Lifting ring	Cast Steel	
20	I.D. Plate	Aluminum	
21	Screen Stripe	PVC	



CALIFORNIA PROPOSITION 65 WARNING: This product contains chemicals known to the State of California to cause cancer and birth defects or other reproductive harm.

Job Name: _____ Page No: _____

Section No: _____ Contractor: _____

Schedule No: _____ Purchase Order No: _____