

Location: _____

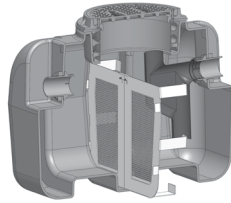
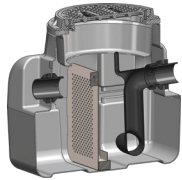


BIG-F

Big Max® – HDPE Fish Scale Interceptors

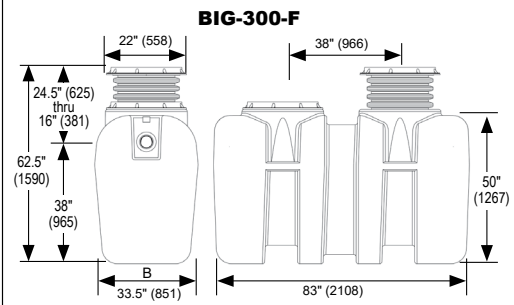
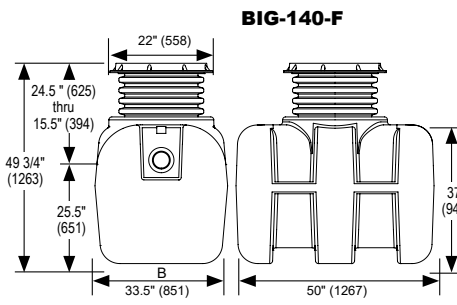
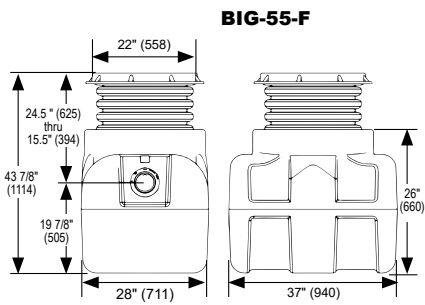
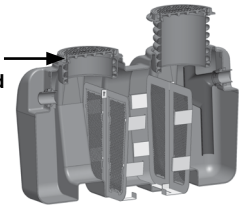
Specification: MIFAB® Series BIG-____-F HDPE rotational molded fish scale interceptor with liquid holding capacity of ____ (indicate) gallons. Unit shall include: dual strainer baffles with 3/8" Dia. holes, 1/2" apart, deep seal trap covered by lid, adjustable lid system, sample port access and 4" no hub inlet and outlet connections. Steel encased composite lid provides a water / gas tight seal & has a minimum of 20,000 lbs. load capacity. The lid is designed in accordance with the loading requirements of AASHTO H20.

Function: Used in fish processing plants and facilities that sell fish to receive waste water that contains fish scales. The fish scale interceptor will filter out fish scales from the fixture waste line before entering the pipe system to reduce clogging and improve performance. Typically installed either on or into the floor. Narrow width permits access through doorways and down stairwells. High Density Polyethylene construction ensures a lightweight installation process (two people can move and install it). Regular maintenance is required to keep the interceptor functioning. All Big Max interceptors can withstand a temperature of up to and including 180 degrees Fahrenheit.



U.S. Patent # 9,551,142

Illustrated with Direct Connect lid (Standard)



| Model No. | LIQUID CAP. (Gallons / Cu. Ft.) | SOLIDS CAP. (Gallons / Cu. Ft.) | B Width | Shipping Weight (Lbs.) |
|------------------|---------------------------------|---------------------------------|---------|------------------------|
| BIG-55-F | 55 / 7.19 | 28 / 4 | 28.00" | 92 |
| BIG-140-F | 140 / 18.30 | 70 / 9 | 33.50" | 165 |
| BIG-300-F | 300 / 39.21 | 150 / 20 | 33.50" | 290 |

| SUFFIX | OPTIONAL VARIATIONS | PART NO. |
|--------|--|----------------------------------|
| -AK | Anchor kit (set of two) for BIG-55-F | BIG-500-AK-SET |
| -AK | Anchor kit (set of two) for BIG-140-F | BIG-750-AK-SET |
| -AK | Anchor kit (set of two) for BIG-300-F | BIG-1150-AK-SET |
| -C | Lid Extension - up to 44" high - for BIG-55-F and BIG-140-F | BIG-750-EXT-44 |
| -C | Lid Extension - up to 72" high - for BIG-55-F and BIG-140-F | BIG-750-EXT-72 |
| -C | Lid Extension - up to 94" high - for BIG-55-F and BIG-140-F | BIG-750-EXT-94 |
| -C | Lid Extension - up to 44" high - for BIG-300-F | BIG-1150-EXT-44 (2 pcs. Incl.) |
| -C | Lid Extension - up to 72" high - for BIG-300-F | BIG-1150-EXT-72 (2 pcs. Incl.) |
| -C | Lid Extension - up to 94" high - for BIG-300-F | BIG-1150-EXT-94 (2 pcs. Incl.) |
| -DI | Ductile iron lid and collar - for BIG-55-F | XL-MI-G-0-PL4 |
| -DI | Ductile iron lid and collar - for BIG-140-F | XL-MI-G-0-PL4 |
| -DI | Ductile iron lid and collar - for BIG-300-F (2 pcs. Included) | XL-MI-G-0-PL4 (2 pcs. Included) |
| -F6 | 6" no hub inlet and outlet (2 pcs. Included) (flow rate of 700 GPM with 6" connections) | MI-G-PL-PF6 |
| -FL-C | Membrane clamp kit for BIG-55-F and BIG-140-F | XL-MI-G-PL-FLM |
| -FL-C | Membrane clamp kit for BIG-300-F (2 pcs. Included) | XL-MI-G-PL-FLM (2 pcs. Included) |
| -HF | 250 GPM flow rate (with 4" connections) | - |
| -LHSI | No hub inlet on left hand side (not available with sediment bucket) (for Lil Max, Big Max, SuperMax) | MI-G-PL-PF4 |
| -LHSO | No hub outlet on left hand side (not available with sediment bucket) (for Lil Max, Big Max, SuperMax) | MI-G-PL-PF4 |
| -POK | Remote pump out kit | BIG-MAX-POK |
| -RHSI | No hub inlet on right hand side (not available with sediment bucket) (for Lil Max, Big Max, SuperMax) | MI-G-PL-PF4 |
| -RHSO | No hub outlet on right hand side (not available with sediment bucket) (for Lil Max, Big Max, SuperMax) | MI-G-PL-PF4 |
| -RPO | 4" Remote pump outlet connections on top of interceptor - specify location and number required | BIG-MAX-RPO |
| -SP | External sampling port - inline, high connections | BIG-SP |
| -SP-L | External sampling port - inline, low connections | BIG-SP-L |
| -SP-OF | External sampling port - offset | BIG-SP-OF |
| -T | Female threaded connections (2 pcs. Included) | MI-G-PL-PF4T |

CALIFORNIA PROPOSITION 65 WARNING. This product contains chemicals known to the State of California to cause cancer and birth defects or other reproductive harm.

Job Name: _____

Page No: _____

Section No: _____

Contractor: _____

Schedule No: _____

Purchase Order No: _____