


Go to
www.mifab.com
for the most
current product
specification
sheets.

<p>T1400</p>  <p>6" Wide</p>	<p>T2000</p>  <p>12" Wide</p>
<p>T300</p>  <p>Shallow</p>	<p>T1300-FL-FAB-TH</p>  <p>Parking Garage, Precast Slab</p>
<p>T1100-F</p>  <p>Frame and Grate</p>	<p>T1500</p>  <p>FILCOTEN, Fibre-reinforced concrete trench</p>
<p>T1400-SD-BRS</p>  <p>Slot Drain</p>	<p>T1320-FL</p>  <p>Parking Garage, Ground Level</p>
<p>T1400-CB620</p>  <p>Catch Basin</p>	<p>T1400-HDSC</p>  <p>Utility</p>

Trench Drain Systems LIT-046

T250	T250 - 2 1/2" Wide, 3" Deep Trench Drain Body and Grate System	9
T275	4 3/4" Wide, 2 3/4" Deep Trench Drain Body and Grate System	10
T300	6" Wide, 2 7/8" Deep Polypropylene Trench Drain System	11, 12
T1100-F	6" Wide, Frame and Grate System	29
T1200-F	12" Wide, Frame and Grate System	29
T1320-FL	6" Wide, Neutral Sloped, Cast Iron Body and Grate System	13
T1330-FL-FAB	6" Wide, Presloped, Fabricated Steel Trench Drain System with flat bottom	15, 16
T1330-FL-FAB-TH	6" Wide, Presloped, Fabricated Steel Trench Drain System with "V" bottom	17, 18
T1350-FL	12" Wide, Neutral Sloped, Cast Iron Body and Grate System	14
T1360-FL-FAB	12" Wide, Presloped, Fabricated Steel Trench Drain System with flat bottom	19
T1360-FL-FAB-TH	12" Wide, Presloped, Fabricated Steel Trench Drain System with "V" bottom	20
T1400	6" Wide, Presloped Polypropylene Trench Drain Body, Steel Frame and Grate System	1, 2
T1400 - Assembly Instructions		48, 49
T1400-CB620	Catch Basins - For T1400 Trench Drains	24, 25
T1400 - Order Guide		53
T1400-SD	8" Deep Polypropylene Body Slot Drain with 1/2" ADA Compliant Slot Openings	44
T1400-SD-BRS	1/4" wide heel proof slots in top assembly	45
T1400-SD-12H	11 3/4" Deep Polypropylene Body Slot Drain with 1/2" ADA Compliant Slot Openings	44
T1400-SD-18H	17 5/8" Deep Polypropylene Body Slot Drain with 1/2" ADA Compliant Slot Openings	44
T1500	6" Wide, Presloped FILCOTEN® Fibre Re-Inforced, Concrete Trench Drain with Integral Steel Rail & Grate System	3, 4
T1500-CB620	Catch Basins - For T1500 FILCOTEN Trench Drains	27
T1500-3	6" Wide, Presloped FILCOTEN Fibre Re-inforced, Concrete Trench Drain with Integral Stainless Steel Rail and Grate System	5, 6
T1500-3-CB620	6" x 20", Fibre Re-Inforced, Concrete Trench Drain Catch Basin with Integral Stainless Steel Rail and Grate	28
T2000	12" Wide, Presloped, Polypropylene Trench Drain Body, Steel Frame and Grate System	7, 8
T2000 - Assembly Instructions		50, 51
T2000-CB1224 Grates		40
T2000-CB1224 Catch Basin	12" wide, 24" long x 20" deep catch basin	26
T2000-CB2424 Catch Basin	24" wide, 24" long x 20" deep catch basin	26
T2000 - Order Guide		54
T2000-SD	14 1/4" Deep, 12" Wide, Polypropylene Body Slot Drain with 1 3/4" Slot Openings	46
T2000-SD-CO	14 1/4" Deep, 12" Wide, Polypropylene Body Slot Drain Cleanout Port with 6" Wide Grate	47
T2000-SD-21H	21" Deep, 12" Wide, Polypropylene Body Slot Drain with 1 3/4" Slot Openings	46
T2000-SD-21H-CO	21" Deep, 12" Wide, Polypropylene Body Slot Drain Cleanout Port with 6" Wide Grate	47
T2000-SD-31H	31" Deep, 24" Wide, Fabricated Steel Body Slot Drain with 1 3/4" Slot Openings	46
T2000-SD-31H-CO	31" Deep, 24" Wide, Fabricated Steel Body Slot Drain Cleanout Port with 6" Wide Grate	47
T2170	17" Wide, Presloped, Fabricated Steel Trench Drain System	21
T2170-F	17" Wide, Frame and Grate System	30
T2400	24" Wide, Presloped, Fabricated Steel Trench Drain System	22
T2400-F	24" Wide, Frame and Grate System	31
T2600	26" Wide, Presloped, Fabricated Steel Trench Drain System	23
T2600-F	26" Wide, Frame and Grate System	32
T4000-HDSC	Heavy Duty Utility Trench Drainage System with Fabricated Steel Body and Heavy Duty Solid Steel Covers	41
T5000-158	1 5/8" Wide, 3 7/8" Deep Aluminum Trench Drain Body and Grate	42
T5000-300	3" Wide, 5 7/8" Deep Aluminum Trench Drain Body and Grate	43
Cross Reference Guide		52
Grate Load Class Definitions		56
Parking Garage Trench Drain Installation Details		55
Neutral Trench Drain Body Flow Rate Calculations		57, 58
Pictorial Index		B
Terms and Warranties		59
2 1/2" Wide Grates	For T250	40
4 3/4" Wide Grates	For T275	39
6" Wide Grates	For T300, T1330-FL-FAB, T1330-FL-FAB-TH, T1400 and T1400-CB620	33, 34, 35
12" Wide Grates	For T1360-FL-FAB, T1360-FL-FAB-TH, T2000 and T2000-CB1224	36, 37
17" Wide Grates	For T2170 and T2170-F	38
24" Wide Grates	For T2400 and T2400-F	38
26" Wide Grates	For T2600 and T2600-F	39

PICTORIAL INDEX

T1400 - 6" Wide, Presloped (Page-1)	T1500 - 6" Wide, Presloped FILCOTEN® (Page-3)	T1500-3 - 6" Wide (Page-5)	T2000 - 12" Wide (Page-7)	T250 - 2 1/2" Wide (Page-9)
T275 - 4 1/2" Wide, 2 3/4" Deep (Page-10)	T300 - 6" Wide, 2 7/8" Deep (Page-11)	T1320-FL - 6" Wide (Page-13)	T1350-FL - 12" Wide (Page-14)	T1330-FL-FAB - 6" Wide (Page-15)
T1330-FL-FAB-TH - 6" Wide (Page-17)	T1360-FL-FAB - 12" Wide (Page-19)	T1360-FL-FAB-TH - 12" Wide (Page-20)	T2170 - 17" Wide (Page-21)	T2400 - 24" Wide (Page-22)
T2600 - 26" Wide (Page-23)	Catch Basins - For T1400 Trench Drains (Page-24)	Catch Basins - T2000-CB1224 and T2000-CB2424 (Page-26)	T1500-CB620 - 6" x 20" (Page-27)	T1500-3-CB620 - 6" x 20" (Page-28)
T1100-F - 6" Wide, Frame and Grate System (Page-29)	T1200-F - 12" Wide, Frame and Grate System (Page-29)	T2170-F - 17" Wide, Frame and Grate System (Page-30)	T2400-F - 24" Wide, Frame and Grate System (Page-31)	T2600-F - 26" Wide, Frame and Grate System (Page-32)
T4000-HDSC - Heavy Duty Utility Trench Drainage System (Page-41)	T5000-158 - 1 5/8" Wide, 3 7/8" Deep (Page-42)	T5000-300 - 3" Wide, 5 7/8" Deep (Page-43)	T1400-SD - 8" Deep (Page-44)	T1400-SD-12H - 11 3/4" Deep (Page-44)
T1400-SD-18H - 17 5/8" Deep (Page-44)	T1400-SD-BRS - 8" Deep (Page-45)	T2000-SD - 14 1/4" Deep, 12" Wide (Page-46)	T2000-SD-21H - 21" Deep, 12" Wide (Page-46)	T2000-SD-31H - 31" Deep, 24" Wide (Page-46)
T2000-SD-CO - 14 1/4" Deep, 12" Wide (Page-47)	T2000-SD-21H-CO - 21" Deep, 12" Wide (Page-47)	T2000-SD-31H-CO - 31" Deep, 24" Wide (Page-47)		

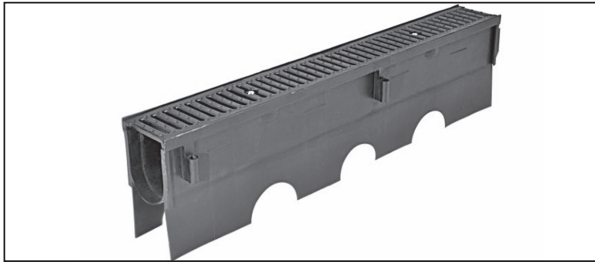
See the MIFAB® MPB Specification Drainage Products List Price Guide for List Prices for the Trench Drain Models T1320-FL, T1350-FL, T1100-F & T1200-F.

Design and dimensions are subject to modification. Prices do not include applicable taxes.

Visit www.mifab.com for the most recent product information.

MIFAB®, Inc., 1321 West 119th Street, Chicago, Illinois 60643-5109, USA
All sales subject to MIFAB's® Terms and Warranties. Please refer to inside back cover.

Toll Free: 1-800-465-2736, Fax: 1-773-341-3049
sales@mifab.com Canada Toll Free: 1-800-387-3880



SPECIFICATION:

MIFAB® Series T1400, 6" wide, 39.40" long, pre-sloped (0.5%) or neutral trench drain system. Body is manufactured from polypropylene. Each body has four tabs, 20" apart, for #3 rebar tie down and leveling. Bodies have interlocking ends, a radiused bottom for efficient liquid drainage and have staggered, semi-circular cutouts on each side at the bottom to enable concrete flow underneath the body. End and bottom outlets are available in 3" and 4" no hub outlet connections. Grate options include ductile iron, galvanized steel, stainless steel, and plastic, along with grate lockdown hardware for each grate to secure to the body. These grates are available in Class A, B, C, D and E along with ADA compliance (see pages 33-35). Catch basins are also available. (See pages 24 - 25).

Go to www.mifab.com for the T1400 Cross Section detail & specification sheet

Ductile Iron Grates (all 20" long. Two grates required per body section) (Must use frame with grates - Load Class C and greater)					
Part #	Must add T1400 body to grate prices. All 39.40" T1400 bodies have a List Price of \$248.13.			List Price, Each, Add	List Price, Per Foot, Add
	Order Guide Suffix	Description	List Price, Each, Add		
T1400-PG-4	-4	Ductile Iron, Extra Heavy Duty, Slotted grate - Class E	\$30.25	\$18.15	
T1400-PG-HP-4	-HP-4	Ductile Iron, Heel Proof Longitudinal Slotted Grate, Special Duty - Class E	\$58.33	\$35.00	
T1400-PG-HP-4-13	-HP-4-13	Ductile Iron, Galvanized, Heel Proof Longitudinal Slotted Grate, Special Duty - Class E	\$103.33	\$62.00	
T1400-PG-LG-4	-LG-4	Ductile Iron, Extra Heavy Duty, Longitudinal Slotted grate - Class E	\$44.33	\$26.60	
T1400-PG-LG-4-13	-LG-4-13	Ductile Iron, Galvanized, Extra Heavy Duty, Longitudinal Slotted grate - Class E	\$125.05	\$75.03	
T1400-PG-4-13	-4-13	Ductile Iron, Galvanized, Extra Heavy Duty, Slotted grate - Class E	\$38.00	\$22.80	
T1400-PG-4-3	-4-3	Ductile Iron, Extra Heavy Duty Slotted grate with Stainless Steel Veneer - Class E (must order together with Steel frame with Stainless Steel veneer.	\$66.00	\$39.60	
		Part # for assembly is T1400-PFO-TA-3 with open frame. (39.40" long steel frame with S.S. veneer and two D.I. grates with S.S. veneer)	\$293.00	\$175.80	
T1400-PG-LG-4-3	-LG-4-3	Ductile Iron, Extra Heavy Duty Longitudinal Slotted grate with Stainless Steel veneer (must order together with Steel frame with Stainless Steel Veneer - Class E)	\$82.00	\$49.20	
		Part # for assembly is T1400-LG-PFO-TA-3 with open frame. (39.40" long steel frame with S.S. veneer and two D.I. grates with S.S. veneer)	\$326.00	\$195.60	
Fabricated Grates (Must use frame with grates - Load Class C and greater)					
Part #	Must add T1400 body to grate prices. All 39.40" T1400 bodies have a List Price of \$248.13			List Price, Each, Add	List Price, Per Foot, Add
	Order Guide Suffix	Description	List Price, Each, Add		
T1400-PG-AWG	-AWG	Aluminum wire grate - Class A, 40" long	\$942.00	\$282.60	
T1400-PG-CDA	-CDA	Stainless Steel, Circular Decorative grate - Class A, 40" long	\$953.33	\$286.00	
T1400-PG-DDA	-DDA	Stainless Steel, Diagonal Decorative grate - Class A, 40" long	\$953.33	\$286.00	
T1400-PG-SSDA	-SSDA	Stainless Steel, Decorative grate - Class A, 40" long	\$953.33	\$286.00	
T1400-PG-DSG	-DSG	Steel, Diagonal Decorative grate - Class A, 40" long	\$53.00	\$15.90	
T1400-PG-DWG	-DWG	Steel, Decorative wave grate - Class A, 40" long	\$53.00	\$15.90	
T1400-PG-FSGA	-FSGA	Galvanized Steel, Fabricated Slotted grate - Class A, 40" long	\$27.00	\$8.10	
T1400-PG-FS	-FS	Stainless Steel, Fabricated Slotted grate - Class A, 40" long	\$286.00	\$85.80	
T1400-PG-HPSS	-HPSS	Stainless Steel, Fabricated Heel Proof Slotted grate - Class A, 40" long	\$286.00	\$85.80	
T1400-PG-HPP	-HPP	Polypropylene, Heel Proof Slotted grate - Class A, 20" long (grate is a black color)	\$8.00	\$4.80	
T1400-PG-HPP-TAN	-HPP-TAN	Polypropylene, Heel Proof Slotted grate - Class A, 20" long (grate is a tan color)	\$8.00	\$4.80	
T1400-PG-HPP-GREY	-HPP-GREY	Polypropylene, Heel Proof Slotted grate - Class A, 20" long (grate is a grey color)	\$8.00	\$4.80	
T1400-PG-PGG	-PGG	Galvanized Steel, Fabricated Perforated grate - Class A, 40" long	\$27.00	\$8.10	

PER FOOT PRICE CALCULATION:

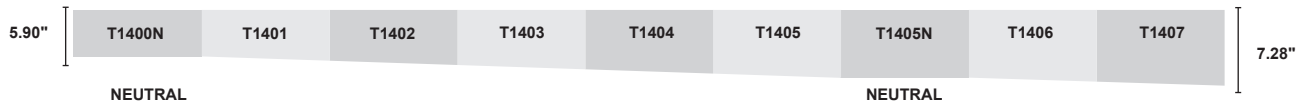
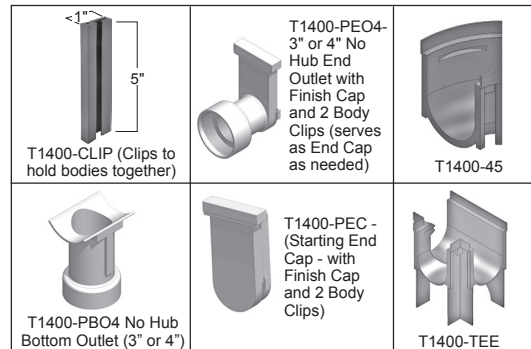
Full size bodies: All T1400 bodies have a List Price of **\$248.13**
Divide **\$248.13** by 39.37" (length of the body) = **\$6.3025** List per inch.

\$6.3025 x 12" = \$75.63 List per foot (Body Only)

Full size standard ductile iron grates:
Divide the above List Price (**\$30.25** for the T1400-PG-4 for example) by length of the grate (20") = **\$1.5125**

List per inch. \$1.5125 x 12" = \$18.15 List per foot. (Grate only)

Therefore, a typical T1400 trench drain system is **\$93.78 List Price / foot (\$75.63 + \$18.15)**. This List Price includes the body, ductile iron grate, support board, grate lockdown hardware and support clips. End caps, outlet connections and all other accessories are extra.



Note: Custom designs are available. Contact MIFAB®

CALIFORNIA PROPOSITION 65 WARNING. This product contains chemicals known to the State of California to cause cancer and birth defects or other reproductive harm.

Fabricated Grates (Must use frame with grates - Load Class C and greater) (See pages 33-35 for additional grate information)				
Part #	Order Guide Suffix	Description	List Price, Each, Add	List Price, Per Foot, Add
T1400-PG-PS	-PS	Stainless Steel, Fabricated Perforated grate -Class A, 40" long	\$533.33	\$160.00
T1400-PG-PHPP	-PHPP	Heel Proof Polypropylene, Perforated, Light Duty – Class A, 20" long (grate is a black color)	\$8.00	\$4.80
T1400-PG-SSWG	-SSWG	Stainless Steel, Fabricated Wire grate -Class A, 40" long	\$953.33	\$286.00
T1400-PG-SDG	-SDG	Steel, Fabricated Decorative grate -Class B, 40" long	\$250.00	\$75.00
T1400-PG-LGHP	-LGHP	Steel, Fabricated Heel Proof Longitudinal grate -Class B, 40" long	\$260.00	\$78.00
T1400-PG-FSB	-FSB	Galvanized Steel, Fabricated Reinforced Slotted grate - Class B, 40" long	\$350.00	\$105.00
T1400-PG-CDB	-CDB	Stainless Steel, Circular Decorative grate - Class B, 40" long	\$956.67	\$287.00
T1400-PG-DBB	-DBB	Stainless Steel, Diagonal Decorative grate - Class B, 40" long	\$956.67	\$287.00
T1400-PG-SSDB	-SSDB	Stainless Steel, Decorative grate - Class B, 40" long	\$956.67	\$287.00
T1400-PG-RFS	-RFS	Stainless Steel, Fabricated Reinforced Slotted grate - Class B, 40" long	\$486.66	\$146.00
T1400-PG-RG	-RG	Galvanized Steel, Reinforced Perforated grate - Class B, 40" long	\$31.00	\$9.30
T1400-PG-RPS	-RPS	Stainless Steel, Fabricated Reinforced Perforated grate - Class B, 40" long	\$540.00	\$162.00
T1400-PG-SBGGGS	-SBGGGS	Galvanized Steel, Fabricated Slotted Bar grate - Class C, 40" long	\$360.00	\$108.00
T1400-PG-SBGST	-SBGST	Steel, Fabricated Slotted Bar grate - Class C, 40" long	\$286.66	\$86.00
T1400-PG-CDC	-CDC	Steel, Fabricated Circular Decorative grate - Class C, 40" long	\$460.00	\$138.00
T1400-PG-SC	-SC	Steel, Fabricated Solid Cover - Class E, 40" long	\$323.30	\$97.00
T1400-PG-SBG	-SBG	Stainless Steel, Fabricated Bar grate - Class E, 40" long	\$956.67	\$287.00

Frames				
Part #	Order Guide Suffix	Description	List Price, Each, Add	List Price, Per Foot, Add
T1400-PFO	-HD	Extra H.D. 1 meter long angle iron steel frame assembly with anchor studs	\$113.33	\$34.00
T1400-PFO-13	-HD-13	Extra H.D. 1 meter long galvanized angle iron steel frame assembly with anchor studs	\$216.67	\$65.00
T1400-PFO-3	-HD-3	Extra H.D. 1 meter long angle iron steel frame assembly with S.S. veneer and anchor studs	\$343.33	\$103.00
T1400-PF-SVF	-SVF	Type 304 stainless steel plastic body veneer, 2 pieces, 1 meter long Stainless Steel frame veneers, open frame for pedestrian traffic only. Load Class A. To be placed over top edges of T1400 body.	\$93.33	\$28.00



T1400-PFO illustrated

End caps / Outlets / Accessories				
Part #	Order Guide Suffix	Description	List Price, Each, Add	
T1400-PEC	-PEC	Includes the T1400-PEC-30 end cap, two pieces of body clips (T1400-CLIP) and one finish cap (T1400-PEFC)	\$25.00	
T1400-PEFC	-PEFC	Top Finishing cap (always included with the T1400-PEC-30 Closed end cap)	N/C	
T1400-PEO4	-PE4	Includes the T1400-PEO4-30 end outlet, two pieces of body clips (T1400-CLIP) and one finish cap (T1400-PEFC)	\$25.00	
T1400-PBO4	-PB4	Combination 3" or 4" Polypropylene No Hub bottom outlet	\$25.00	
T1400-PBRD	Standard	Support board (one per body always included)	N/C	
T1400-PBDS	-PBDS	Bottom dome strainer	\$54.00	
T1400-CLIP	Standard	Connecting Clips (to connect bodies together)	N/C	
T1400-PGL-STL	Standard	3 1/2" long grate lockdown hardware	N/C	
T1400-PGL-STL-SS	-	3 1/2" long Stainless Steel grate lockdown hardware (per grate)	\$26.00	
T1400-PGLVP	-PGLVP	3 1/2" long vandal resistant grate lockdown hardware (per grate)	\$7.00	

Fabrications				
Part #	Order Guide Suffix	Description	List Price, Each, Add	
T1400-CUT	-CUT	Cutting / per cut - Net Price only	\$107.00 Net Price Only	
Tees	-TEE	Polypropylene tee (available in T1400N-TEE, T1405N-TEE, T1410N-TEE and T1415N-TEE models)	\$425.00	
45°	-45	45s (available in T1400N-45, T1405N-45, T1410N-45 and T1415N-45 models)	\$425.00	
90°	-90	90s (available in T1400N-90, T1405N-90, T1410N-90 and T1415N-90 models)	\$425.00	
T1400-SOF	-SOF	Side Outlet Fabrication	\$425.00	
T1400-CF	-CF	Cross Fabrication	\$525.00	



Note: Custom designs are available. Contact MIFAB®

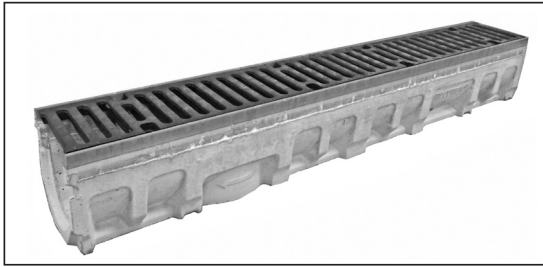
CALIFORNIA PROPOSITION 65 WARNING. This product contains chemicals known to the State of California to cause cancer and birth defects or other reproductive harm.

Design and dimensions are subject to modification. Prices do not include applicable taxes.

Visit www.mifab.com for the most recent product information.

MIFAB®, Inc., 1321 West 119th Street, Chicago, Illinois 60643-5109, USA
All sales subject to MIFAB's® Terms and Warranties. Please refer to inside back cover.

Toll Free: 1-800-465-2736, Fax: 1-773-341-3049
sales@mifab.com Canada Toll Free: 1-800-387-3880


SPECIFICATION:

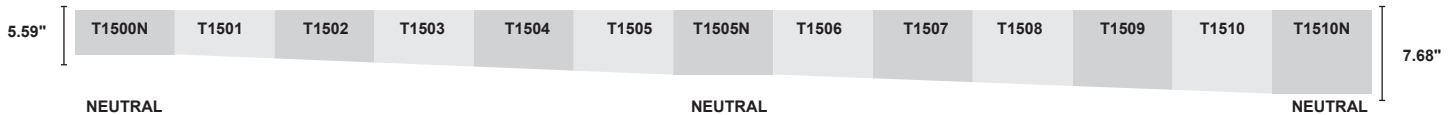
MIFAB® Series T1500, 6" wide, 39.40" long, pre-sloped (0.5%) or neutral FILCOTEN® trench drain system. Body is manufactured from a fibre-reinforced concrete based material. Bodies have interlocking ends, a radiused bottom for efficient liquid drainage and multiple anchoring ribs to securely hold the body into the concrete foundation. Each body is manufactured with an integral 4mm thick, extra heavy duty, galvanized steel rail. End and bottom outlets are available in 2", 3" or 4" no hub outlet connections (specify outlet size). Grate options include extra heavy duty ductile iron (Load Class E) and slotted and perforated heavy duty galvanized steel (Load Class C). Grates are secured to the body with a four point self-locking system. End caps and catch basins are also available (See T1500-CB620).

Go to www.mifab.com for the T1500 cross section detail & specification sheet.

Cast Grates (all 20" long. Two grates required per body section)				
Part #	Order Guide Suffix	Description	List Price, Each, Add	List Price, Per Foot, Add
T1500-PG-4	-4	Ductile Iron, Extra Heavy Duty, Slotted grate - Class E, 1/2 Meter long	see FILCOTEN book	see FILCOTEN book
T1500-PG-4-13	-4-13	Galvanized, Ductile Iron, Extra Heavy Duty, Slotted grate - Class E, 1/2 Meter long	see FILCOTEN book	see FILCOTEN book
T1500-PG-4-ADA	-4-ADA	Ductile Iron, Extra Heavy Duty, Longitudinal Slotted grate - Class C, 1/2 Meter long	see FILCOTEN book	see FILCOTEN book
T1500-PG-4-13-ADA	-4-13-ADA	Galvanized, Ductile Iron, Extra Heavy Duty, Longitudinal Slotted grate - Class C, 1/2 Meter long	see FILCOTEN book	see FILCOTEN book
Note: All grates are made with a four point (snap in) grate locking system.				
Fabricated Grates				
Part #	Order Guide Suffix	Description	List Price, Each, Add	List Price, Per Foot, Add
T1500-PG-FSC	-FSC	Galvanized Steel, Fabricated Reinforced Slotted grate - Class C, 1 Meter long	see FILCOTEN book	see FILCOTEN book
T1500-PG-FSC-500	-FSC-500	Galvanized Steel, Fabricated Reinforced Slotted grate - Class C, 1/2 Meter long	see FILCOTEN book	see FILCOTEN book
T1500-PG-FPC	-FPC	Galvanized Steel, Fabricated Reinforced Perforated grate - Class C, 1 Meter long	see FILCOTEN book	see FILCOTEN book
T1500-PG-FPC-500	-FPC-500	Galvanized Steel, Fabricated Reinforced Perforated grate - Class C, 1/2 Meter long	see FILCOTEN book	see FILCOTEN book
T1500-PG-PGC	-PGC	ADA Heelproof, COMBee composite, perforated grate - Class C, 1/2 Meter long	see FILCOTEN book	see FILCOTEN book
T1500-PG-FMC-500	-FMC-500	ADA Heelproof, Galvanized Steel, longitudinal slotted mesh grate - Class C, 1/2 Meter long	see FILCOTEN book	see FILCOTEN book
T1500-PG-FMC	-FMC	ADA Heelproof, Galvanized Steel, longitudinal slotted mesh grate - Class C, 1 meter long	see FILCOTEN book	see FILCOTEN book
Note: All grates are made with a four point (snap in) grate locking system				
End caps / outlets / accessories				
Part #	Order Guide Suffix	Description	List Price, Each, Add	
T1500-PBDS	-PBDS	Bottom Dome Strainer	see FILCOTEN book	
T1500-PBO2	-PBO2	2" no hub bottom outlet (PVC material)	see FILCOTEN book	
T1500-PBO3	-PBO3	3" no hub bottom outlet (PVC material)	see FILCOTEN book	
T1500-PBO4	-PBO4	4" no hub bottom outlet (PVC material)	see FILCOTEN book	
T1500-PEC	-PEC	End cap (PVC material)	see FILCOTEN book	

Note: The FILCOTEN fibre re-enforced concrete trench drain systems are also available in 8" widths (T1700 Series), 12" widths (T1800 Series) and a shallow (2.36" deep) 6" width (T1560 Series). See the FILCOTEN booklet or the www.mifab.com website for more information.

PER FOOT PRICE CALCULATION:
See the FILCOTEN booklet for pricing.







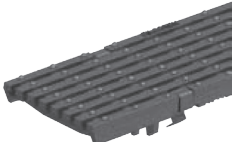
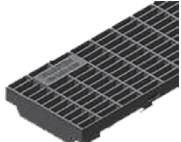





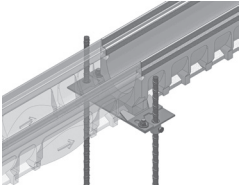
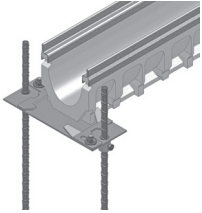
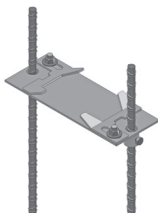
Note: Pages 57 and 58 explain why neutral sloped bodies are better to use than sloped bodies.

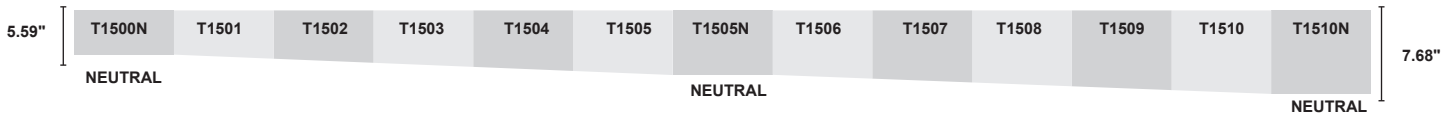
Note: Custom designs are available. Contact MIFAB®

Outlets and Accessories			
T1500-PEO2	-PEO2	2" no hub end outlet (PVC material)	see FILCOTEN book
T1500-PEO3	-PEO3	3" no hub end outlet (PVC material)	see FILCOTEN book
T1500-PEO4	-PEO4	4" no hub end outlet (PVC material)	see FILCOTEN book
T1500-PGLVP	-6	Vandal proof grate lockdown (stainless steel) (Not for perforated grates) (per grate)	see FILCOTEN book
T1500-REB	-REB	Rebar support (for each joint connection)	see FILCOTEN book
Fabrications			
T1500-CUT	-CUT	Cutting / per cut - Net Price only	see FILCOTEN book
Tees	-TEE	Fabricated tee (available in T1500N-TEE, T1505N-TEE, T1510N-TEE models)	see FILCOTEN book
45°	-45	45 degree body section	see FILCOTEN book
90°	-90	90 degree body section	see FILCOTEN book

T1500 GRATES

 <p>T1500-PG-4 - half meter, Ductile Iron Grate (Load Class E)</p>		 <p>T1500-PG-FPC - one meter, galvanized steel, perforated grate (Load Class C)</p>	
 <p>T1500-PG-FPC-500 - half meter, galvanized steel, perforated grate (Load Class C)</p>		 <p>T1500-PG-FSC-500 - half meter, galvanized steel, slotted grate (Load Class C)</p>	
 <p>T1500-PG-FSC - one meter, galvanized steel, slotted grate (Load Class C)</p>		 <p>T1500-PG-PGC (Load Class C) ADA HEELPROOF COMBee composite grating with anti-slip surface structure (half meter)</p>	
 <p>T1500-PG-4-ADA (Load Class C) ADA HEELPROOF ductile iron longitudinal slot grating (half meter)</p>		 <p>T1500-PG-FMC (Load Class C) ADA galvanized steelmesh grating (half meter)</p>	

Outlet Connections and End Cap			T1500-REB (Rebar Support)		
 <p>T1500-PBO - 2", 3" or 4" no hub bottom outlet (specify outlet size)</p>	 <p>T1500-PEO - 2", 3" or 4" no hub end outlet (specify outlet size)</p>	 <p>T1500-PEC - End Cap</p>			



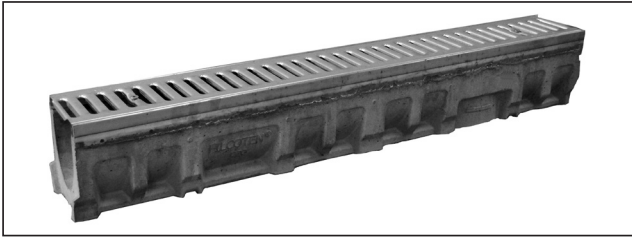
Note: Custom designs are available. Contact MIFAB®

Design and dimensions are subject to modification. Prices do not include applicable taxes.

Visit www.mifab.com for the most recent product information.

MIFAB®, Inc., 1321 West 119th Street, Chicago, Illinois 60643-5109, USA
All sales subject to MIFAB's® Terms and Warranties. Please refer to inside back cover.

Toll Free: 1-800-465-2736, Fax: 1-773-341-3049
sales@mifab.com Canada Toll Free: 1-800-387-3880



SPECIFICATION:

MIFAB® Series T1500-3, 6" wide, 39.40" long, neutral FILCOTEN trench drain system. Body is manufactured from a fibre-reinforced concrete based material. Bodies have interlocking ends, a radiused bottom for efficient liquid drainage and multiple anchoring ribs to securely hold the body into the concrete foundation. Each body is manufactured with an integral 4mm thick, extra heavy duty, stainless steel rail. End and bottom outlets are available in 2", 3" or 4" no hub outlet connections (specify outlet size). Grate options include heavy duty slotted and perforated stainless steel (Load Class C). Grates are secured to the body with a four point self-locking system. End caps and catch basins are also available (See T1500-3-CB620).

Fabricated Grates (Available in either 1/2 meter (-500) or full meter sections)

Part #	Order Guide Suffix	Description	List Price, Each, Add	List Price, Per Foot, Add
T1500-PG-PGC	-PGC	ADA Heelproof, COMBee composite, perforated grate - Class C, 1/2 Meter long	see FILCOTEN book	see FILCOTEN book
T1500-PG-FSSC	-FSSC	Stainless Steel, Fabricated Reinforced Slotted grate - Class C, 1 meter long	see FILCOTEN book	see FILCOTEN book
T1500-PG-FSSC-500	-FSSC-500	Stainless Steel, Fabricated Reinforced Slotted grate - Class C, 1/2 meter long	see FILCOTEN book	see FILCOTEN book
T1500-PG-FSPC	-FSPC	Stainless Steel, Fabricated Reinforced Perforated grate - Class C, 1 meter long	see FILCOTEN book	see FILCOTEN book
T1500-PG-FSPC-500	-FSPC-500	Stainless Steel, Fabricated Reinforced Perforated grate - Class C, 1/2 meter long	see FILCOTEN book	see FILCOTEN book

Note: All grates are made with a four point (snap in) grate locking system.

End caps / outlets / accessories

Part #	Order Guide Suffix	Description	List Price, Each, Add
T1500-PBDS-SS	-PBDS	Stainless Steel bottom dome strainer	see FILCOTEN book
T1500-PBO2	-PBO2	2" no hub bottom outlet (PVC material)	see FILCOTEN book
T1500-PBO3	-PBO3	3" no hub bottom outlet (PVC material)	see FILCOTEN book
T1500-PBO4	-PBO4	4" no hub bottom outlet (PVC material)	see FILCOTEN book
T1500-PEC	-PEC	End cap (PVC material)	see FILCOTEN book
T1500-PEO2	-PEO2	2" no hub end outlet (PVC material)	see FILCOTEN book
T1500-PEO3	-PEO3	3" no hub end outlet (PVC material)	see FILCOTEN book
T1500-PEO4	-PEO4	4" no hub end outlet (PVC material)	see FILCOTEN book
T1500-PGLVP	-6	Vandal proof grate lockdown (stainless steel)	see FILCOTEN book
T1500-REB	-REB	Rebar support (for each joint connection)	see FILCOTEN book
T1500-ST	-ST	Step connector to connect T1500N-3, T1510N-3 and T1520N-3 bodies	see FILCOTEN book

Fabrications

Part #	Order Guide Suffix	Description	List Price, Each, Add
T1500-3-CUT	-CUT	Cutting / per cut - Net Price only	see FILCOTEN book
Tees	-TEE	Fabricated tee (available in T1500N-TEE, T1505N-TEE,	see FILCOTEN book
45°	-45	45 degree body section	see FILCOTEN book
90°	-90	90 degree body section	see FILCOTEN book

Note: The FILCOTEN fibre re-enforced concrete trench drain systems are also available with integral stainless steel rails in 8" widths (T1700 Series), and a shallow (2.36" deep) 6" width (T1560 Series). See the FILCOTEN booklet or the www.mifab.com website for more information.

PER FOOT PRICE CALCULATION:
See the FILCOTEN booklet for pricing.

Note: The T1500-3 Series (with integral stainless steel rails) are available in neutral sloped trench drain bodies only. The T1500-ST (step connector) needs to be used to connect the T1500N-3 body to the T1510N-3 and also to connect the T1510N-3 body to the T1520N-3.

T1500N-3	T1510N-3	T1520N-3
NEUTRAL	NEUTRAL	NEUTRAL

Note: Pages 57 and 58 explain why neutral sloped bodies are better to use than sloped bodies.

Note: Custom designs are available. Contact MIFAB®

T1500-3 GRATES



T1500-PG-FSPC
One meter, stainless steel, perforated grate (Load Class C)



T1500-PG-FSPC-500
Half meter, stainless steel, perforated grate (Load Class C)

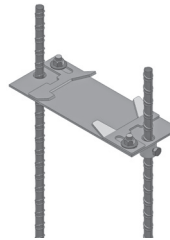
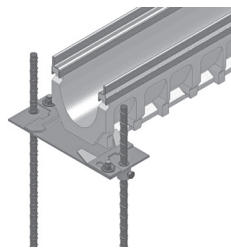
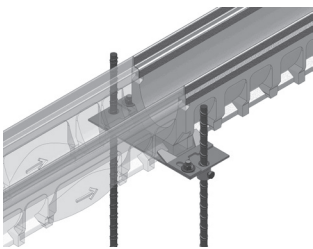


T1500-PG-FSSC
One meter, stainless steel, slotted grate (Load Class C)



T1500-PG-FSSC-500
Half meter, stainless steel, slotted grate (Load Class C)

T1500-REB (Rebar Support)



ADA HEELPROOF
COMBee composite grating with anti-slip
surface structure (half meter)
T1500-PG-PGC (Load Class C)

Outlet Connections and End Cap



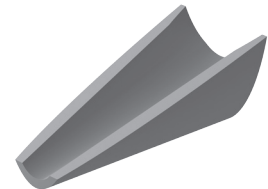
T1500-PBO - 2", 3" or 4"
no hub bottom outlet (specify outlet size)



T1500-PEO - 2", 3" or 4"
no hub end outlet (specify outlet size)



T1500-PEC - End Cap



Step connector for connecting
channels with different heights.
For T1500 and T1700 Series.

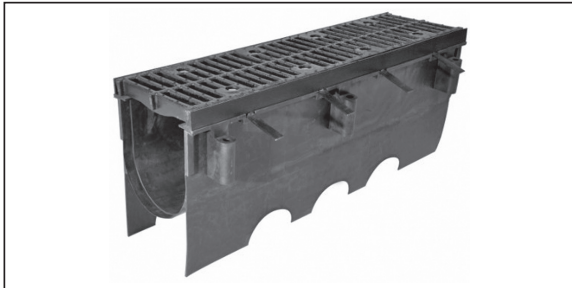
Note: Custom designs are available. Contact MIFAB®

Design and dimensions are subject to modification. Prices do not include applicable taxes.

Visit www.mifab.com for the most recent product information.

MIFAB®, Inc., 1321 West 119th Street, Chicago, Illinois 60643-5109, USA
All sales subject to MIFAB's® Terms and Warranties. Please refer to inside back cover.

Toll Free: 1-800-465-2736, Fax: 1-773-341-3049
sales@mifab.com Canada Toll Free: 1-800-387-3880



SPECIFICATION:

MIFAB® Series T2000, 12" wide, 39.40" long, pre-sloped (0.5% per body) or neutral trench drain system. Body is manufactured from polypropylene. Each body has six tabs for #5 rebar tie down and leveling. Bodies have interlocking ends, a radiused bottom for efficient liquid drainage and have staggered, semi-circular cutouts on each side at the bottom to enable concrete flow underneath the body. End and bottom outlets are available in 4" and 6" no hub outlet connections. A heavy duty angle iron frame is supplied with all body sections for all grates to secure to. Grate options include ductile iron, galvanized steel, stainless steel and plastic along with grate lockdown hardware for each grate to secure to the body. These grates are available in Class A, B, C, D, E and F grates along with ADA and FAA compliance (see pages 36-37). Catch basins are also available (see page 26).

Go to www.mifab.com for the T2000 Cross Section detail and specification sheet

Ductile Iron Grates (all 20" long. Two grates required per body section. 4 pieces of the H-1151 bolts are supplied with each grate to bolt grate to frame)				
Part #	Order Guide Suffix	Description	List Price, Each, Add	List Price, Per Foot, Add
T2000-PGC-4	-4	Extra heavy duty ductile iron slotted grate (Standard - Load Class C) (use with T2000-PFOC frame)	\$79.70	\$47.82
T2000-PGC-4-3	-4-3	Extra heavy duty ductile iron slotted grate (Standard - Load Class C) with Type 304 Stainless Steel veneer. (use with T2000-PFOC frame)	\$668.33	\$401.00
T2000-PGC-4-11	-4-11	A.R.E. coated extra heavy duty ductile iron slotted grate - Load Class C (use with T2000-PFOC frame)	\$88.33	\$53.00
T2000-PGC-4-13	-4-13	Galvanized extra heavy duty ductile iron slotted grate - Load Class C (use with T2000-PFOC frame)	\$88.33	\$53.00
T2000-PGF-4	-F-4	Special duty ductile iron slotted grate (airport applications - Load Class F) (use with T2000-PFO frame)	\$120.00	\$72.00
T2000-PGF-4-3	-F-4-3	Special duty ductile iron slotted grate (airport applications - Load Class F) with Type 304 Stainless Steel veneer. (S.S. veneer over steel frame is included with S.S. veneer grates). (use with T2000-PFO frame)	\$833.33	\$500.00
T2000-PGF-4-11	-F4-11	A.R.E. coated special duty ductile iron slotted grate (airport applications) - Load Class F (use with T2000-PFO frame)	\$176.67	\$106.00
T2000-PGF-4-13	-F4-13	Galvanized special duty ductile iron slotted grate (airport applications) - Load Class F (use with T2000-PFO frame)	\$176.67	\$106.00
T2000-PG-FIB	-FIB	Fibreglass, square slotted grate - Load Class A	\$120.00	\$72.00
Fabricated Grates (All 40" long)				
Part #	Order Guide Suffix	Description	List Price, Each, Add	List Price, Per Foot, Add
T2000-PGG	-PGG	Perforated, galvanized steel light duty grate, ADA compliant - Load Class A (use with T2000-PFOC frame)	\$56.67	\$17.00
T2000-PGF	-PGF	Slotted, galvanized steel light duty grate - Load Class A (use with T2000-PFOC frame)	\$56.67	\$17.00
T2000-PG-LGHP	-LGHP	Fabricated heel proof longitudinal slotted steel grate - Load Class B (use with T2000-PFOC frame)	\$590.00	\$177.00
T2000-PG-RG	-RG	Reinforced, perforated, galvanized steel grate, ADA compliant - Load Class B (use with T2000-PFOC frame)	\$590.00	\$177.00
T2000-PG-RGS	-RGS	Reinforced, slotted galvanized steel grate - Load Class B (use with T2000-PFOC frame)	\$533.33	\$160.00
T2000-PG-FS	-FS	Fabricated stainless steel (Type 304) slotted grate - Load Class A (use with T2000-PFOC frame)	\$536.66	\$161.00
T2000-PG-RFS	-RFS	Fabricated reinforced stainless steel (Type 304) slotted grate - Load Class B (use with T2000-PFOC frame)	\$1,151.60	\$345.48
T2000-PG-PS	-PS	Fabricated stainless steel (Type 304) perforated grate, ADA compliant - Load Class A (use with T2000-PFOC frame)	\$783.33	\$235.00
T2000-PG-RPS	-RPS	Fabricated reinforced stainless steel (Type 304) perforated grate - Load Class B (use with T2000-PFOC frame)	\$1,151.60	\$345.48
T2000-PG-SBG	-SBG	Fabricated stainless steel (Type 304) bar grate - Load Class C	\$1,293.33	\$388.00
T2000-PC	-PC	Fabricated 10 gauge steel solid cover, A.R.E. coated - Load Class B	\$430.00	\$129.00
T2000-PCSS	-PCSS	Fabricated 10 gauge stainless steel solid cover - Load Class B	\$1,366.67	\$410.00
T2000 bodies have a List Price of \$502.94 Each body is 39.40" long			List Price, Each (Body Only) \$502.94	List Price, Per Foot (Body Only) \$153.18

PER FOOT PRICE CALCULATION:

Full size bodies:

Divide the above noted List Price (**\$502.94**) by length of the body (39.40") = **\$12.7649** List per inch. (Body Only)

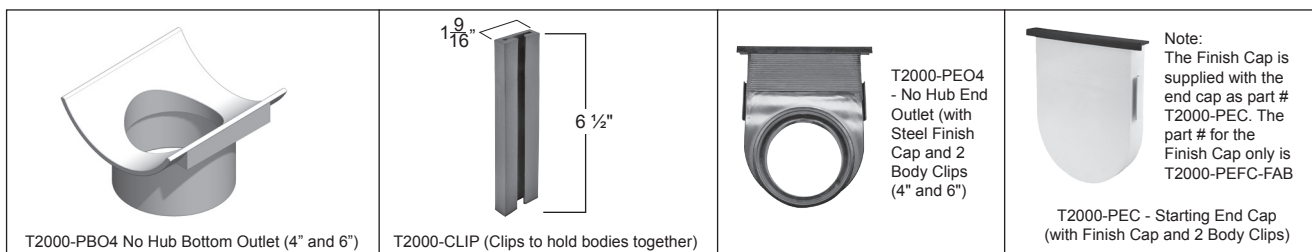
Full size standard ductile iron grates:

Divide the List Price (**\$79.70** for the T2000-PGC-4 for example) by length of the grate (20") = **\$3.985**

\$12.7649 x 12" = \$153.18 List per foot (Body Only)

List per inch. \$3.985 x 12" = \$47.82 List per foot. (Grate only)

Therefore, a typical T2000 trench drain system is **\$201.00 List Price / foot (\$153.18 + \$47.82)**. This List Price includes the body, ductile iron grate, steel angle iron frame, grate lockdown hardware and support clips. End caps, outlet connections and all other accessories are extra.



Note: Custom designs are available. Contact MIFAB®

CALIFORNIA PROPOSITION 65 WARNING. This product contains chemicals known to the State of California to cause cancer and birth defects or other reproductive harm.



Frames (All frames are made to the body length - 39.40" unless otherwise specified)				
Part #	Order Guide Suffix	Description	List Price, Each, Add	List Price, Per Foot, Add
T2000-PFO-4	-PFO-4	Replacement fabricated steel frame with anchor studs (Frames for F Grates only)	\$100.00	\$30.00
T2000-PFO-11	-PFO-11	Acid resistant epoxy (A.R.E.) coated fabricated steel frame with anchor studs (Frames for F Grates only)	\$121.48	\$37.00
T2000-PFO-13	-PFO-13	Galvanized fabricated steel frame with anchor studs (Frames for F Grates only)	\$121.48	\$37.00
T2000-PFO-3	-PFO-3	Stainless steel (Type 304) fabricated frame with anchor studs (Frames for F Grates only)	\$660.00	\$198.00
T2000-PFOC-4	Standard	Replacement fabricated steel frame with anchor studs (Frames for C Grates only)	\$100.00	\$30.00
T2000-PFOC-11	-11	Acid resistant epoxy (A.R.E.) coated fabricated steel frame with anchor studs (Frames for C Grates only)	\$121.48	\$37.00
T2000-PFOC-13	-13	Galvanized fabricated steel frame with anchor studs (Frames for C Grates only)	\$121.48	\$37.00
T2000-PFOC-3	-3	Stainless Steel (Type 304) fabricated frame with anchor studs (Frames for C Grates only)	\$660.00	\$198.00
T2000-SW	-SW	PVC sidewall extension - 11" high (per pair)	\$190.00	-
End caps / Outlets / Accessories				
Part #	Order Guide Suffix	Description	List Price, Each, Add	
T2000-PEC	-PEC	Includes the T2000-PEC end cap, two pieces of body clips (T2000-CLIP) and one finish cap (T2000-PEFC) (Closed end cap)		\$54.00
T2000-PEO4	-PE4	Includes the T2000-PEO4 & outlet, two pieces of body clips (T2000-CLIP) and one finish cap (T2000-PEFC) (4" no hub end outlet)		\$54.00
T2000-PEO6	-PE6	Includes the T2000-PEO6 & outlet, two pieces of body clips (T2000-CLIP) and one finish cap (T2000-PEFC) (6" no hub end outlet)		\$54.00
T2000-PEO8	-PE8	Includes the T2000-PEO8 & outlet, two pieces of body clips (T2000-CLIP) & one finish cap (T2000-PEFC) (the T2000-PEO8 is fabricated out of steel) (8" no hub end outlet)		\$54.00
T2000-PBO4	-PB4	4" no hub bottom outlet		\$54.00
T2000-PBO6	-PB6	6" no hub bottom outlet		\$54.00
T2000-PBO8	-PB8	8" no hub bottom outlet		\$54.00
T2000-PBDS	-PBDS	Bottom dome strainer		\$72.00
T2000-CLIP	Standard	Body Connecting clips (two included per body as standard)		N/C
H-1151	Standard	4 pieces of bolts to connect each grate to the angle iron frame		N/C
T2000-PGLVP	-PGLVP	Vandal-Proof lockdown hardware (per grate)		\$7.00
Fabrications				
Part #	Order Guide Suffix	Description	List Price, Each, Add	
T2000-CUT	-CUT	Cutting / per cut - Net Price only		\$131.00 Net Price Only
Tees	-TEE	Polypropylene tee (available in T2001N-TEE, T2004N-TEE, T2008N-TEE and T2012N-TEE models)		\$508.00
45°	-45	45s (available in T2001N-45, T2004N-45, T2008N-45 and T2012N-45 models)		\$508.00
90°	-90	90s (available in T2001N-90, T2004N-90, T2008N-90 and T2012N-90 models)		\$508.00
T2000-SOF	-SOF	Side Outlet Fabrication		\$508.00
T2000-CF	-CF	Cross Fabrication		\$1014.00



Note: Custom designs are available. Contact MIFAB®

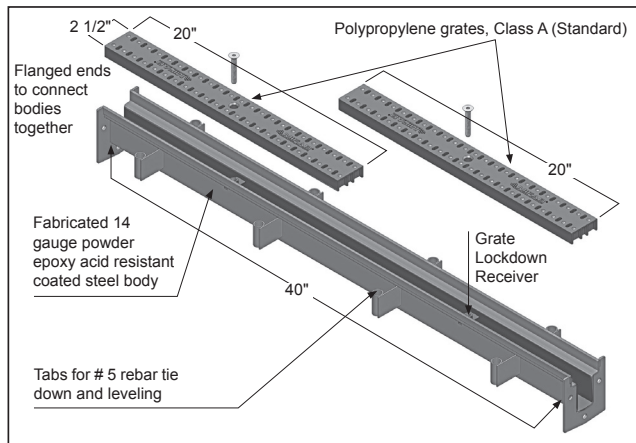
CALIFORNIA PROPOSITION 65 WARNING. This product contains chemicals known to the State of California to cause cancer and birth defects or other reproductive harm.

Design and dimensions are subject to modification. Prices do not include applicable taxes.

Visit www.mifab.com for the most recent product information.

MIFAB®, Inc., 1321 West 119th Street, Chicago, Illinois 60643-5109, USA
All sales subject to MIFAB's® Terms and Warranties. Please refer to inside back cover.

Toll Free: 1-800-465-2736, Fax: 1-773-341-3049
sales@mifab.com Canada Toll Free: 1-800-387-3880



SPECIFICATION:

MIFAB® Series T250, 2 1/2" wide, 3" deep, 40" long, (or length as needed), non sloped trench drain system. Body is manufactured from 14 gauge steel and finished with an acid resistant powder epoxy coating. Each body has tabs for # 5 rebar tie down and leveling. Bodies have flanged ends to connect to each other with a neoprene rubber gasket in between. End and bottom outlets are available in 2" no hub outlet connections and fabricated as part of the trench drain system. 20" long polypropylene grates are provided as standard (Suffix -HPP) along with grate lockdown hardware for each grate to secure to the body.

Go to www.mifab.com for the T250 Cross Section detail & specification sheet

Grates		
Order Guide Suffix	Description	List Price, Per Foot, Add
-HPP	Polypropylene, Heel Proof Slotted grate - Class A, 20" long (grate is a black color)	\$4.61
-AWG	Aluminum wire grate - Class A	\$283.00
-SSDA	Stainless Steel, Decorative grate - Class A	\$223.00
-SSWG	Stainless Steel, Fabricated Wire grate -Class A	\$283.00
End caps / Outlets		
Order Guide Suffix	Description	List Price, Each, Add
-PEC	Closed end cap	\$7.00
-PE2	2" no hub end outlet	\$7.00
-PB2	2" no hub bottom outlet	\$7.00

Note: Specify the total length of the T250 trench drain system required along with the type of grates required, number of outlets (specify bottom or end or both) and design of the trench drain system (straight run only or straight runs with corners & turns).

MIFAB®'s Engineering team will produce a sign off drawing illustrating the T250 trench drain system requested for customer sign off and then MIFAB® Customer Service quotation.

Accessories and 45 and 90 Degree Fabrications		
Order Guide Suffix	Description	List Price, Each, Add
-PGLVP	1 1/2" long vandal resistant grate lockdown hardware (2 per body section - 1 for each grate)	\$9.00
Standard	5/16-18 x 2" Zinc Coated Bolts (2 per package) - for grate lockdown	N/C
-SSB	5/16-18 x 2" Stainless Steel Bolts (2 per package) - for grate lockdown	\$53.50
-PB-45	45 Degree Body Section	\$102.50
-PB-90	90 Degree Body Section	\$102.50
-45	45 Degree Polypropylene, Heel Proof Slotted grate - Class A	\$15.00
-90	90 Degree Polypropylene, Heel Proof Slotted grate - Class A	\$15.00
-CUT	Cutting / per cut - Net Price only	\$68.00 Net Price Only
-SOF	Side Outlet Fabrication	\$256.00
-CF	Cross Fabrication	\$510.00
-C	Membrane clamp (2 pieces) with hardware	\$113.00

T250 bodies have a List Price of \$172.20 Each body is 40" long.	List Price, Each (Body Only) \$172.20	List Price, Per Foot (Body Only) \$51.66
---	---	--

PER FOOT PRICE CALCULATION:

Full size bodies: Divide the above noted List Price (\$172.20) by length of the body (40") = **\$4.305** List per inch.

\$4.305 x 12" = \$51.66 List per foot. (Body Only)

Standard polypropylene grates (20" long):

\$4.61 List per foot. (Grate Only)

Therefore, a typical T250 trench drain system is **\$56.27 List Price / foot (\$51.66 + \$4.61)**. This List Price includes the body, two polypropylene grates and two grate lockdown hardware sets. End caps, outlet connections and all other accessories are extra.

Note: Custom designs are available. Contact MIFAB®

CALIFORNIA PROPOSITION 65 WARNING. This product contains chemicals known to the State of California to cause cancer and birth defects or other reproductive harm.



SPECIFICATION:

MIFAB® Series T275, 4 3/4" wide, 2 3/4" deep, 40" long, (or length as needed), non sloped trench drain system. Body is manufactured from 14 gauge steel and finished with an acid resistant powder epoxy coating. Each body has slotted tabs on both sides of the body, 10" apart, for rebar tie down and leveling. Bodies have flanged ends to connect to each other with a neoprene rubber gasket in between. End and bottom outlets are available in 2" or 3" no hub outlet connections and are fabricated as part of the trench drain system. 20" long polypropylene grates are provided as standard (Suffix -HPP) along with grate lockdown hardware for each grate to secure to the body. Class A and E grates are also available with H-20 and / or ADA compliance (see page 39). Catch basins are also available.



Go to www.mifab.com for the T275 Cross Section detail & specification sheet

Grates		
Order Guide Suffix	Description	List Price, Per Foot, Add
-HPP	Polypropylene, Heel Proof Slotted grate - Class A, 20" long (grate is a black color)	\$4.61
-4	Ductile Iron, Extra Heavy Duty, Slotted grate - Class E, 20" long	\$10.00
-4-3	Ductile Iron, Extra Heavy Duty Slotted Grate with Stainless Steel veneer - Class E, 20" long	\$39.50
-SSDA	Stainless Steel, Decorative grate - Class A	\$224.00
-FSGA	Galvanized Steel, Fabricated Slotted grate - Class A	\$30.00
-FS	Stainless Steel, Fabricated Slotted grate - Class A	\$140.00
-PGG	Galvanized Steel, Fabricated Perforated grate - Class A	\$30.00
-PS	Stainless Steel, Fabricated Perforated grate -Class A	\$140.00
End caps / Outlets		
Order Guide Suffix	Description	List Price, Each, Add
-PEC	Closed end cap	\$19.00
-PE02	2" no hub end outlet	\$19.00
-PE03	3" no hub end outlet	\$19.00
-PB02	2" no hub bottom outlet	\$19.00
-PB03	3" no hub bottom outlet	\$19.00

Note: Specify the total length of the T275 trench drain system required along with the type of grates required, number and size of outlets (specify bottom or end or both) and design of the trench drain system (straight run only or straight runs with corners and turns).

MIFAB®'s Engineering team will produce a sign off drawing illustrating the T275 trench drain system requested for customer sign off and then MIFAB® Customer Service quotation.

Accessories and 45 and 90 Degree Fabrications		
Order Guide Suffix	Description	List Price, Each, Add
-PGLVP	1 1/2" long vandal resistant grate lockdown hardware (2 per body section - 1 for each grate)	\$8.25
Standard	5/16-18 x 2" Zinc Coated Bolts (2 per package) - for grate lockdown	N/C
-SSB	5/16-18 x 2" Stainless Steel Bolts (2 per package) - for grate lockdown	\$54.00
-PB-45	45 Degree Body Section	\$254.00
-PB-90	90 Degree Body Section	\$254.00
-45	45 Degree Polypropylene, Heel Proof Slotted grate - Class A	\$30.00
-90	90 Degree Polypropylene, Heel Proof Slotted grate - Class A	\$30.00
-CUT	Cutting / per cut - Net Price only	\$65.00 Net Price Only
-SOF	Side Outlet Fabrication	\$254.00
-CF	Cross Fabrication	\$506.00

T275 bodies have a List Price of \$223.46 Each body is 40" long	List Price, Each (Body Only) \$223.46	List Price, Per Foot (Body Only) \$67.04
--	--	---

PER FOOT PRICE CALCULATION:

Full size bodies: Divide the above noted List Price (**\$223.46**) by length of the body (40") = **\$5.5866** List per inch.

\$5.5866 x 12" = \$67.04 List per foot (Body Only)

Standard polypropylene grates (20" long):

\$4.61 List per foot. (Grate only)

Therefore, a typical T275 trench drain system is **\$71.65 List Price / foot (\$67.04 + \$4.61)**.

This List Price includes the body, two polypropylene grates and two grate lockdown hardware sets. End caps, outlet connections and all other accessories are extra.

Note: Custom designs are available. Contact MIFAB®

CALIFORNIA PROPOSITION 65 WARNING. This product contains chemicals known to the State of California to cause cancer and birth defects or other reproductive harm.



SPECIFICATION:

MIFAB® Series T300, 6" wide, 2 7/8" deep, 39.40" long, non sloped trench drain system. Body is manufactured from polypropylene. Each body has tabs on both sides of the body, for rebar tie down and leveling. Bodies have interlocking ends and a radiused bottom. End and bottom outlets are available in 2" no hub connections. 20" long polypropylene grates are provided as standard (Suffix – HPP) along with grate lockdown hardware for each grate to secure to the body. Class A, B and C grates are also available with H-20 and / or ADA compliance (see pages 33-35). Catch basins are also available.

Go to www.mifab.com for the T300 Cross Section detail & specification sheet

Ductile Iron Grates (all 20" long. Two grates required per body section) (Must use frame with grates - Load Class C and greater)				
Part #	Order Guide Suffix	Description (all cast grates are 20" long)	Must add T300 body to grate prices. All 39.40" T1400 bodies have a List Price of \$238.50	
			List Price, Each, Add	List Price, Per Foot, Add
T1400-PG-HP-4	-HP-4	Ductile Iron, Heel Proof Longitudinal Slotted Grate, Special Duty - Class E	\$58.33	\$35.00
T1400-PG-HP-4-13	-HP-4-13	Ductile Iron, Galvanized, Heel Proof Longitudinal Slotted Grate, Special Duty - Class E	\$103.33	\$62.00
T1400-PG-LG-4	-LG-4	Ductile Iron, Extra Heavy Duty, Longitudinal Slotted grate - Class E	\$44.33	\$26.60
T1400-PG-LG-4-13	-LG-4-13	Ductile Iron, Galvanized, Extra Heavy Duty, Longitudinal Slotted grate - Class E	\$125.05	\$75.03
T1400-PG-4-13	-4-13	Ductile Iron, Galvanized, Extra Heavy Duty, Slotted grate - Class E	\$38.00	\$22.80
T1400-PG-4-3	-4-3	Ductile Iron, Extra Heavy Duty Slotted grate with Stainless Steel Veneer - Class E (must order together with Steel frame with Stainless Steel veneer.	\$66.00	\$39.60
		Part # for assembly is T1400-PFO-TA-3 with open frame. (39.40" long steel frame with S.S. veneer and two D.I. grates with S.S. veneer)	\$293.00	\$175.80
T1400-PG-LG-4-3	-LG-4-3	Ductile Iron, Extra Heavy Duty Longitudinal Slotted grate with Stainless Steel veneer (must order together with Steel frame with Stainless Steel Veneer - Class E)	\$82.00	\$49.20
		Part # for assembly is T1400-LG-PFO-TA-3 with open frame. (39.40" long steel frame with S.S. veneer and two D.I. grates with S.S. veneer)	\$326.00	\$195.60
End caps / Outlets / Accessories				
Part #	Order Guide Suffix	Description	List Price, Each, Add	
T300-PEC	-PEC	Closed end cap	\$25.00	
T300-PEO2	-PE2	2" no hub end outlet	\$25.00	
T300-PBO	-PBO	2" no hub bottom outlet	\$25.00	
T1400-PBRD	-PBRD	Support board	\$55.00	
T1400-PBDS	-PBDS	Bottom dome strainer	\$54.00	
T300-CLIP	Standard	Connecting Clips (to connect bodies together)	N/C	
H-1234	Standard	5/16-18 x 2" Zinc Coated Bolts (2 per package) - for grate lockdown	N/C	
H-1235	-SSB	5/16-18 x 2" Stainless Steel Bolts (2 per package) - for grate lockdown	\$55.00	
T300-PGLVP	-PGLVP	2" long vandal resistant grate lockdown hardware 2 per body section - 1 for each grate	\$7.00	
T1400-PGL-STL-SS	-	3 1/2" long Stainless Steel grate lockdown hardware 2 per body section - 1 for each grate	\$27.00	

T300 bodies have a List Price of \$256.75 Each body is 39.40" long	List Price, Each (Body Only) \$256.75	List Price, Per Foot (Body Only) \$78.20
---	---	--

PER FOOT PRICE CALCULATION:

Full size bodies: Divide the above noted List Price (\$256.75) by length of the body (39.40") = **\$6.5166** List per inch.

\$6.5166 x 12" = \$78.20 List per foot (Body Only)

20" long polypropylene grates:

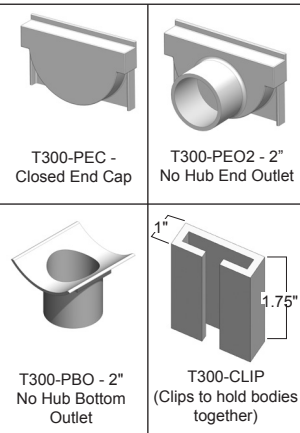
Divide the List Price (\$8.00 for the T1400-PG-HPP for example) by length of the grate (20") = **\$4.40**

List per inch. \$4.40 x 12" = \$52.80 List per foot. (Grate only)

Therefore, a typical T300 trench drain system is **\$83.00 List Price / foot (\$78.20 + \$4.80)**.

This List Price includes the body, two polypropylene grates and two grate lockdown hardware sets. End caps, outlet connections and all other accessories are extra.

Note: Custom designs are available. Contact MIFAB®



CALIFORNIA PROPOSITION 65 WARNING. This product contains chemicals known to the State of California to cause cancer and birth defects or other reproductive harm.

Fabricated Grates (Must use frame with grates - Load Class C and greater) (See pages 33-35 for additional grate information)				
Part #	Order Guide Suffix	Description	List Price, Each, Add	List Price, Per Foot, Add
T1400-PG-AWG	-AWG	Aluminum wire grate - Class A, 40" long	\$942.00	\$282.60
T1400-PG-CDA	-CDA	Stainless Steel, Circular Decorative grate - Class A, 40" long	\$953.33	\$286.00
T1400-PG-DDA	-DDA	Stainless Steel, Diagonal Decorative grate - Class A, 40" long	\$953.33	\$286.00
T1400-PG-SSDA	-SSDA	Stainless Steel, Decorative grate - Class A, 40" long	\$953.33	\$286.00
T1400-PG-DSG	-DSG	Steel, Diagonal Decorative grate - Class A, 40" long	\$53.00	\$15.90
T1400-PG-DWG	-DWG	Steel, Decorative wave grate - Class A, 40" long	\$53.00	\$15.90
T1400-PG-FSGA	-FSGA	Galvanized Steel, Fabricated Slotted grate - Class A, 40" long	\$27.00	\$8.10
T1400-PG-FS	-FS	Stainless Steel, Fabricated Slotted grate - Class A, 40" long	\$286.00	\$85.80
T1400-PG-HPSS	-HPSS	Stainless Steel, Fabricated Heel Proof Slotted grate - Class A, 40" long	\$286.00	\$85.80
T1400-PG-HPP	-HPP	Polypropylene, Heel Proof Slotted grate - Class A, 20" long (grate is a black color)	\$8.00	\$4.80
T1400-PG-HPP-TAN	-HPP-TAN	Polypropylene, Heel Proof Slotted grate - Class A, 20" long (grate is a tan color)	\$8.00	\$4.80
T1400-PG-HPP-GREY	-HPP-GREY	Polypropylene, Heel Proof Slotted grate - Class A, 20" long (grate is a grey color)	\$8.00	\$4.80
T1400-PG-PGG	-PGG	Galvanized Steel, Fabricated Perforated grate - Class A, 40" long	\$27.00	\$8.10
T1400-PG-PS	-PS	Stainless Steel, Fabricated Perforated grate - Class A, 40" long	\$533.33	\$160.00
T1400-PG-SSWG	-SSWG	Stainless Steel, Fabricated Wire grate - Class A, 40" long	\$953.33	\$286.00
T1400-PG-SDG	-SDG	Steel, Fabricated Decorative grate - Class B, 40" long	\$250.00	\$75.00
T1400-PG-LGHP	-LGHP	Steel, Fabricated Heel Proof Longitudinal grate - Class B, 40" long	\$260.00	\$78.00
T1400-PG-FSB	-FSB	Galvanized Steel, Fabricated Reinforced Slotted grate - Class B, 40" long	\$350.00	\$105.00
T1400-PG-CDB	-CDB	Stainless Steel, Circular Decorative grate - Class B, 40" long	\$956.67	\$287.00
T1400-PG-DDB	-DDB	Stainless Steel, Diagonal Decorative grate - Class B, 40" long	\$956.67	\$287.00
T1400-PG-SSDB	-SSDB	Stainless Steel, Decorative grate - Class B, 40" long	\$956.67	\$287.00
T1400-PG-RFS	-RFS	Stainless Steel, Fabricated Reinforced Slotted grate - Class B, 40" long	\$486.66	\$146.00
T1400-PG-RG	-RG	Galvanized Steel, Reinforced Perforated grate - Class B, 40" long	\$31.00	\$9.30
T1400-PG-RPS	-RPS	Stainless Steel, Fabricated Reinforced Perforated grate - Class B, 40" long	\$540.00	\$162.00
T1400-PG-SBGGGS	-SBGGGS	Galvanized Steel, Fabricated Slotted Bar grate - Class C, 40" long	\$360.00	\$108.00
T1400-PG-SBGST	-SBGST	Steel, Fabricated Slotted Bar grate - Class C, 40" long	\$286.66	\$80.00
T1400-PG-CDC	-CDC	Steel, Fabricated Circular Decorative grate - Class C, 40" long	\$460.00	\$138.00
T1400-PG-SC	-SC	Steel, Fabricated Solid Cover - Class E, 40" long	\$323.30	\$97.00
T1400-PG-SBG	-SBG	Stainless Steel, Fabricated Bar grate - Class E, 40" long	\$956.67	\$287.00
T1400-PG-PHPP	-PHPP	Heel proof Polypropylene, Perforated, Light Duty - Class A, 20" long (grate is a black color)	\$8.00	\$4.80
Frames				
Part #	Order Guide Suffix	Description	List Price, Each, Add	List Price, Per Foot, Add
T1400-PFO	-HD	Extra H.D. 1 meter long angle iron steel frame assembly with anchor studs	\$113.33	\$34.00
T1400-PFO-13	-HD-13	Extra H.D. 1 meter long galvanized angle iron steel frame assembly with anchor studs	\$216.67	\$65.00
T1400-PFO-3	-HD-3	Extra H.D. 1 meter long angle iron steel frame assembly with S.S. veneer and anchor studs	\$343.33	\$103.00
T1400-PF-SVF	-SVF	Type 304 stainless steel top plastic body veneer, 2 pieces, 1 meter long Stainless Steel frame veneers, open frame for pedestrian traffic only. Load Class A. To be placed over top edges of T300 body.	\$93.33	\$28.00

Fabrications			
Part #	Order Guide Suffix	Description	List Price, Each, Add
T300-CUT	-CUT	Cutting / per cut - Net Price only	\$107.00 Net Price Only
T300-TEE	-TEE	Polypropylene tee	\$425.00
T300-PB-45	-PB-45	45 Degree Body Section	\$425.00
T300-PB-90	-PB-90	90 Degree Body Section	\$425.00
T300-PG-HPP-45	-45	45 Degree Polypropylene, Heel Proof Slotted grate - Class A	\$35.00
T300-PG-HPP-90	-90	90 Degree Polypropylene, Heel Proof Slotted grate - Class A	\$35.00
T300-SOF	-SOF	Side Outlet Fabrication	\$425.00
T300-CF	-CF	Cross Fabrication	\$525.00

Shallow Depth, 2 7/8", Trench Drain



T1300-KIT

Note: Custom designs are available. Contact MIFAB®

For T300-KIT display pricing, please contact your local MIFAB® representative

CALIFORNIA PROPOSITION 65 WARNING. This product contains chemicals known to the State of California to cause cancer and birth defects or other reproductive harm.

Design and dimensions are subject to modification. Prices do not include applicable taxes.

 Visit www.mifab.com for the most recent product information.

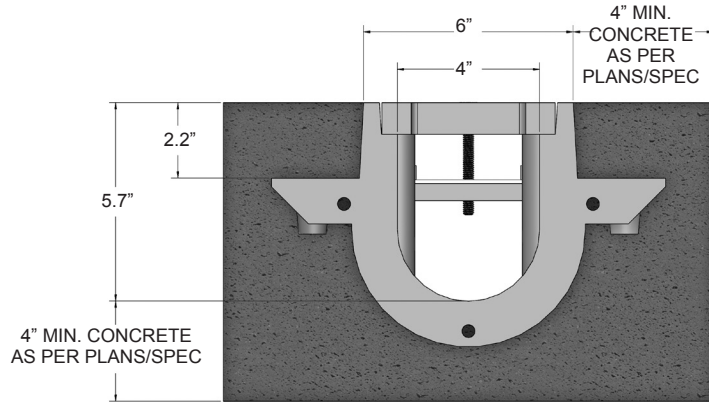
 MIFAB®, Inc., 1321 West 119th Street, Chicago, Illinois 60643-5109, USA
 All sales subject to MIFAB's® Terms and Warranties. Please refer to inside back cover.

 Toll Free: 1-800-465-2736, Fax: 1-773-341-3049
 sales@mifab.com Canada Toll Free: 1-800-387-3880

SPECIFICATION:

MIFAB® Series T1320-FL, 6" wide, 6 3/4" deep, 20" long, non sloped modular trench drain with lacquered cast iron body sections. Each body has a 2" wide anchor flange cast into each side recessed 2.20" down from the top. Bodies have a radiused bottom and flanged ends to connect to each other with a neoprene rubber gasket in between. End outlets are available in 2", 3" or 4" no hub outlet connections (specify outlet connection size) and bottom outlets are available in 2", 3", or 4" no hub outlet connections (specify outlet connection size). 20" long, Class E, H-20 ductile iron grate is provided as standard (Suffix -4) along with grate lockdown hardware for each grate to secure to the body. Class A, B, C, D and E grates are also available (see pages 33-35). Catch basins are also available.

Go to www.mifab.com for the T1320-FL cross section detail and specification sheet.

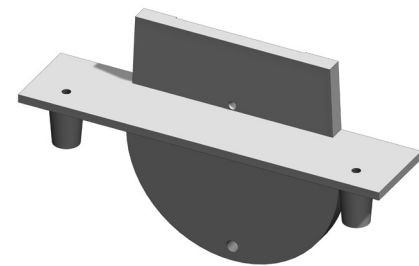
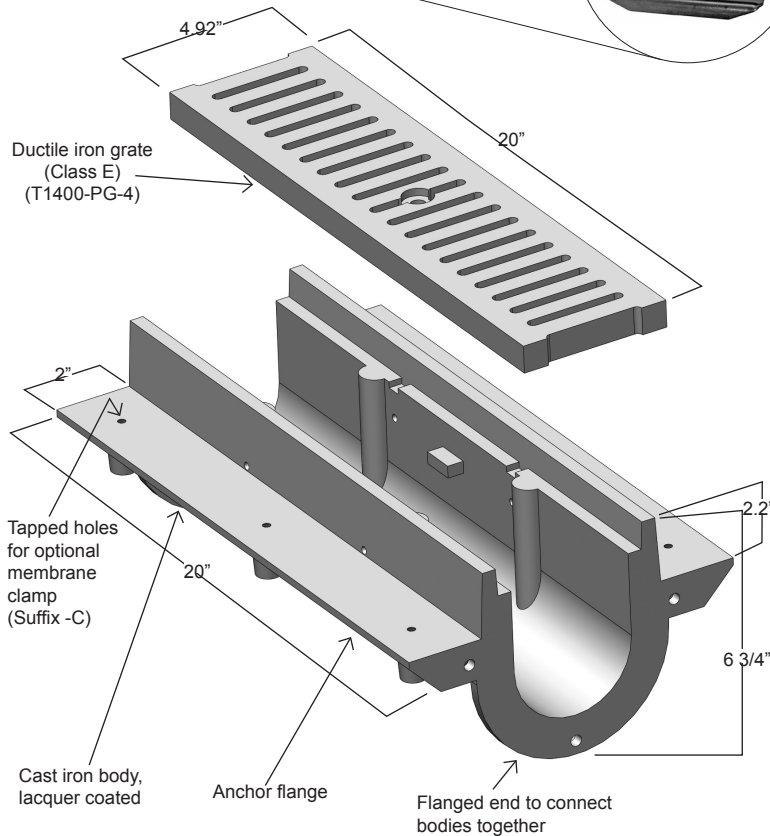
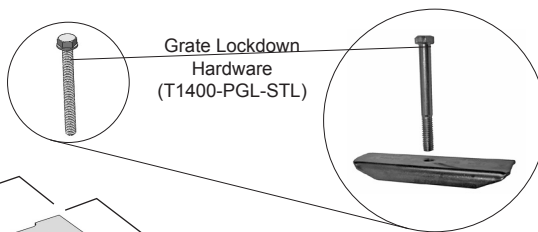


FUNCTION:

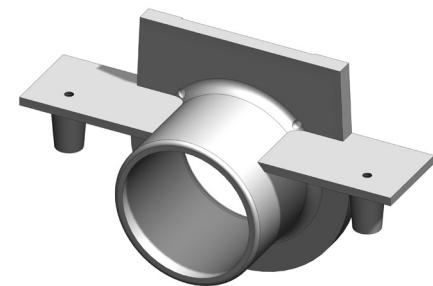
Used in vehicle washdown areas, loading and parking areas, at the bottom of parking garages, warehouses & other locations that have heavy vehicle traffic. An infinite number of body sections can be assembled together to serve any requirement.



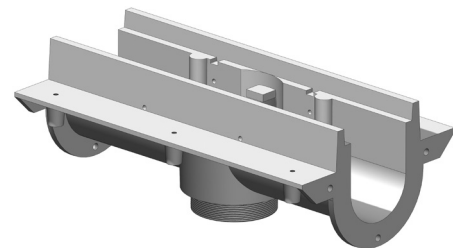
Note: See MPB List Price Book for T1320-FL List Prices and discount structure.



T1320-FLC-PE - Closed End Cap



T1324-FLC-PEO - 4" No Hub End Outlet



T1320T-FLC-PB - Bottom Outlet Section (Specify any A1 body to make outlet connection)

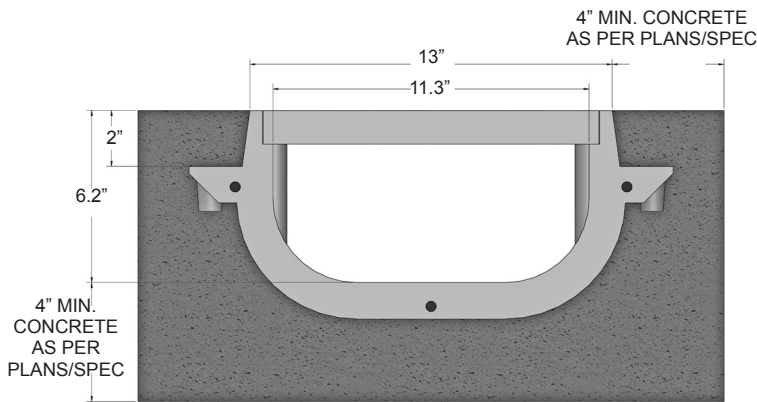
Note: Custom designs are available. Contact MIFAB®

CALIFORNIA PROPOSITION 65 WARNING. This product contains chemicals known to the State of California to cause cancer and birth defects or other reproductive harm.

SPECIFICATION:

MIFAB® Series T1350-FL, 12" wide, 7 3/4" deep, 12" long, non sloped modular trench drain with lacquered cast iron body sections. Each body has a 2" wide anchor flange cast into each side recessed 2" down from the top. Bodies have a radiused bottom and flanged ends to connect to each other with a neoprene rubber gasket in between. End outlets are available in 2", 3", 4" or 6" no hub outlet connections (specify outlet connection size) and bottom outlets are available in 2", 3", 4" or 6" no hub outlet connections (specify outlet connection size). 12" long, Class E, H-20 ductile iron grates are provided as standard (Suffix -4). Catch basins are also available.

Go to www.mifab.com for the T1350-FL cross section detail and specification sheet.



FUNCTION:

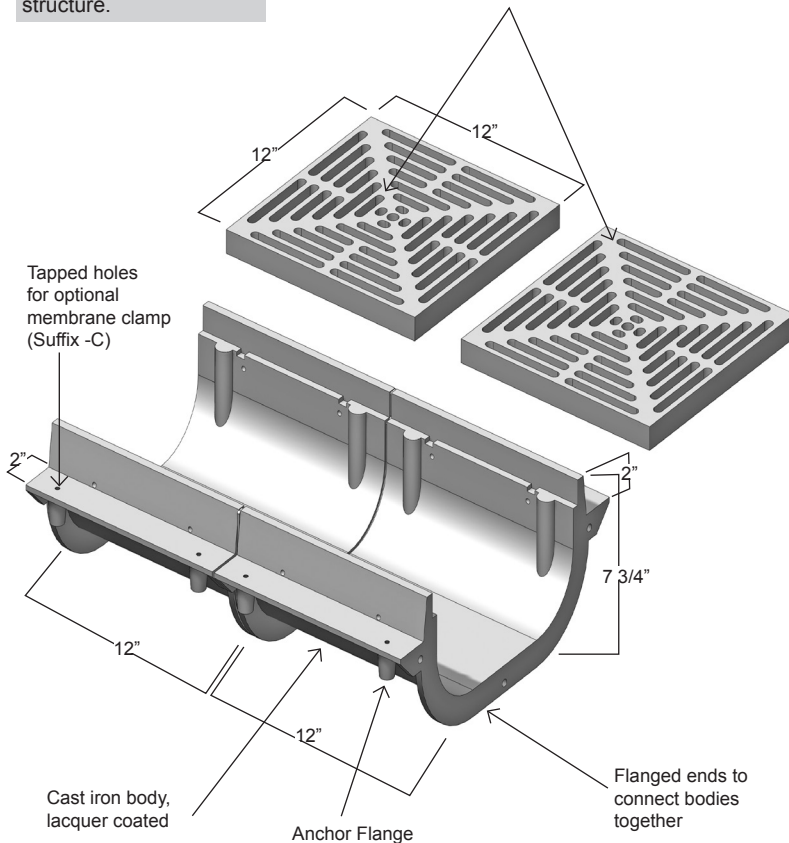
Used in vehicle washdown areas, loading and parking areas, at the bottom of parking garages, warehouses and other locations that have heavy vehicle traffic. An infinite number of body sections can be assembled together to serve any requirement. Can also be used in small sections as an area drain.



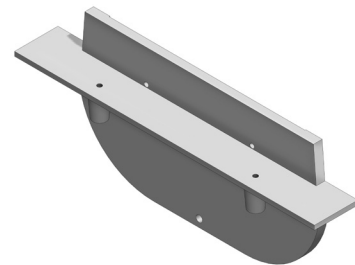
(Note: Two body sections with grates are illustrated.)

Note: See MPB List Price Book for T1350-FL List Prices and discount structure.

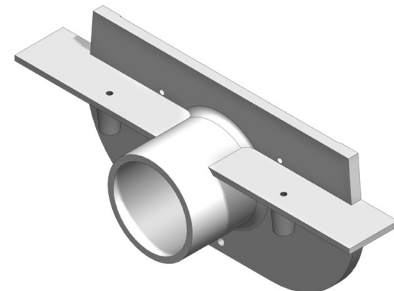
F1440-PG-4 - Ductile Iron Grates (Class E)
Grate lockdown hardware not provided. Specify Suffix -6 for vandal resistant hardware to secure grates to body.



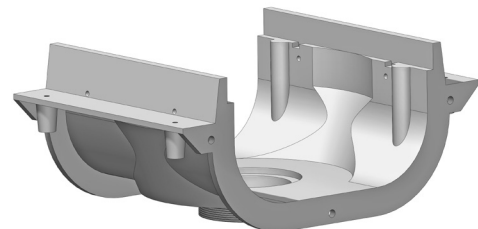
Note: Two body sections with grates are illustrated.



T1350-FLC-PE - Closed End Cap



T1350-FLC-PEO - 4" No Hub End Outlet



T1350T-FLC-PB - Bottom Outlet Section
(Specify any A1 body to make outlet connection)

Note: Custom designs are available. Contact MIFAB®

CALIFORNIA PROPOSITION 65 WARNING. This product contains chemicals known to the State of California to cause cancer and birth defects or other reproductive harm.

Design and dimensions are subject to modification. Prices do not include applicable taxes.

Visit www.mifab.com for the most recent product information.

MIFAB®, Inc., 1321 West 119th Street, Chicago, Illinois 60643-5109, USA
All sales subject to MIFAB's® Terms and Warranties. Please refer to inside back cover.

Toll Free: 1-800-465-2736, Fax: 1-773-341-3049
sales@mifab.com Canada Toll Free: 1-800-387-3880


SPECIFICATION:

MIFAB® Series T1330-FL-FAB, 6" wide, 40" long, (or length as needed), presloped (1/8" per foot) modular trench drain. Body is manufactured from 14 gauge steel and finished with an acid resistant powder epoxy coating. Each body has a 3" wide anchor flange on each side recessed 2 3/4" down from the top. Bodies have flanged ends to connect to each other with a neoprene rubber gasket in between. End and bottom outlets are available in 2", 3" or 4" no hub outlet connections and are fabricated as part of the trench drain system. 20" long, Class E, H-20 ductile iron grates are provided as standard (Suffix -4) along with grate lockdown hardware for each grate to secure to the body. Class A, B, C, D and E grates are also available (see pages 33-35). Catch basins are also available.

Go to www.mifab.com for the T1330-FL-FAB Cross Section detail & specification sheet

Ductile Iron Grates (all 20" long. Two grates required per body section)			
Must add T1330-FL-FAB body to grate prices. All 40" T1330-FL-FAB bodies have a List Price of \$795.00			
Order Guide Suffix	Description	List Price, Each, Add	List Price, Per Foot, Add
-4	Ductile Iron, Extra Heavy Duty Slotted grate - Class E	\$30.25	\$18.15
-HP-4	Ductile Iron, Heel Proof Longitudinal Slotted Grate, Special Duty - Class E	\$58.33	\$35.00
-HP-4-13	Ductile Iron, Galvanized, Heel Proof Longitudinal Slotted Grate, Special Duty - Class E	\$103.33	\$62.00
-LG-4	Ductile Iron, Extra Heavy Duty, Longitudinal Slotted grate - Class E	\$44.33	\$26.60
-LG-4-13	Ductile Iron, Galvanized, Extra Heavy Duty, Longitudinal Slotted grate - Class E	\$125.05	\$75.03
-4-13	Ductile Iron, Galvanized, Extra Heavy Duty, Slotted grate - Class E	\$38.00	\$22.80
-4-3	Ductile Iron, Extra Heavy Duty Slotted grate with Stainless Steel Veneer - Class E (must order together with Steel frame with Stainless Steel veneer. Part # for assembly is T1400-PFO-TA-3 with open frame. (40" long steel frame with S.S. veneer and two D.I. grates with S.S. veneer)	\$66.00	\$39.60
		\$293.00	\$175.80
-LG-4-3	Ductile Iron, Extra Heavy Duty Longitudinal Slotted grate with Stainless Steel veneer (must order together with Steel frame with Stainless Steel Veneer - Class E)	\$82.00	\$49.20
	Part # for assembly is T1400-LG-PFO-TA-3 with open frame. (40" long steel frame with S.S. veneer and two D.I. grates with S.S. veneer)	\$326.00	\$195.60

Note: Specify the total length of the T1330-FL-FAB trench drain system required along with the type of grates required, number and size of outlets (specify bottom or end or both) and design of the trench drain system (straight run only or straight runs with corners and turns).

MIFAB's Engineering team will produce a sign off drawing illustrating the T1330-FL-FAB trench drain system requested for customer sign off and then MIFAB® Customer Service quotation. Each 40" long body section is sloped .80" from one end to the other.

End caps / Outlets / Accessories		
Order Guide Suffix	Description	List Price, Each, Add
-PEC	Closed end cap	\$46.00
-PE2	2" no hub end outlet	\$46.00
-PE3	3" no hub end outlet	\$46.00
-PE4	4" no hub end outlet	\$46.00
-PB2	2" no hub bottom outlet	\$46.00
-PB3	3" no hub bottom outlet	\$46.00
-PB4	4" no hub bottom outlet	\$46.00
-PBRD	Support board	\$55.00
-PBDS	Bottom dome strainer	\$55.00
Standard	5/16-18 x 2" Zinc Coated Bolts (2 per package) - for grate lockdown	N/C
-SSB	5/16-18 x 2" Stainless Steel Bolts (2 per package) - for grate lockdown	\$55.00
-PGLVP	2" long vandal resistant grate lockdown hardware (per grate)	\$44.00
-C	Membrane Clamp (2 pieces) with hardware	\$228.00

T1330-FL-FAB bodies have a List Price of \$795.00 Each body is 40" long	List Price, Each (Body Only) \$795.00	List Price, Per Foot (Body Only) \$238.50
--	--	--

PER FOOT PRICE CALCULATION:

Full size bodies: Divide the above noted List Price (\$795.00) by length of the body (40") = **\$19.875** List per inch.

\$238.50 List per foot (Body Only)

20" long ductile iron grates, (T1400-PG-4):

\$18.15 List per foot. (Grate Only)

Therefore, a typical T1330-FL-FAB trench drain system is **\$256.65 List Price / foot (\$238.50 + \$18.15)**.

This List Price includes the body, two T1400-PG-4 ductile iron grates and grate lockdown hardware.

End caps, outlet connections and all other accessories are extra.

Note: Custom designs are available. Contact MIFAB®

CALIFORNIA PROPOSITION 65 WARNING. This product contains chemicals known to the State of California to cause cancer and birth defects or other reproductive harm.



Fabricated Grates (See pages 33-35 for additional grate information)		
Order Guide Suffix	Description	List Price, Per Foot, Add
-AWG	Aluminum wire grate - Class A	\$282.60
-CDA	Stainless Steel, Circular Decorative grate - Class A	\$286.00
-DDA	Stainless Steel, Diagonal Decorative grate - Class A	\$286.00
-SSDA	Stainless Steel, Decorative grate - Class A	\$286.00
-DSG	Steel, Diagonal Decorative grate - Class A	\$15.90
-DWG	Steel, Decorative wave grate - Class A	\$15.90
-FSGA	Galvanized Steel, Fabricated Slotted grate - Class A	\$8.10
-FS	Stainless Steel, Fabricated Slotted grate - Class A	\$85.80
-HPSS	Stainless Steel, Fabricated Heel Proof Slotted grate - Class A	\$85.80
-HPP	Polypropylene, Heel Proof Slotted grate - Class A, 20" long (grate is a black color)	\$4.80
-HPP-GREY	Polypropylene, Heel Proof Slotted grate - Class A, 20" long (grate is a grey color)	\$4.80
-HPP-TAN	Polypropylene, Heel Proof Slotted grate - Class A, 20" long (grate is a tan color)	\$4.80
-PGG	Galvanized Steel, Fabricated Perforated grate - Class A	\$8.10
-PS	Stainless Steel, Fabricated Perforated grate -Class A	\$160.00
-SSWG	Stainless Steel, Fabricated Wire grate -Class A	\$286.00
-SDG	Steel, Fabricated Decorative grate -Class B	\$75.00
-LGHP	Steel, Fabricated Heel Proof Longitudinal grate -Class B	\$78.00
-FSB	Galvanized Steel, Fabricated Reinforced Slotted grate - Class B	\$105.00
-CDB	Stainless Steel, Circular Decorative grate - Class B	\$287.00
-DDB	Stainless Steel, Diagonal Decorative grate - Class B	\$287.00
-SSDB	Stainless Steel, Decorative grate - Class B	\$287.00
-RFS	Stainless Steel, Fabricated Reinforced Slotted grate - Class B	\$146.00
-RG	Galvanized Steel, Reinforced Perforated grate - Class B	\$9.30
-RPS	Stainless Steel, Fabricated Reinforced Perforated grate - Class B	\$162.00
-SBGGS	Galvanized Steel, Fabricated Slotted Bar grate - Class C	\$108.00
-SBGST	Steel, Fabricated Slotted Bar grate - Class C	\$86.00
-CDC	Steel, Fabricated Circular Decorative grate - Class C	\$138.00
-PHPP	Heel proof polypropylene, Perforated, Light Duty - Class A, 20" long (grate is a black color)	\$4.80
-SC	Steel, Fabricated Solid Cover - Class E	\$97.00
-SBG	Stainless Steel, Fabricated Bar grate - Class E	\$287.00
Frames		
Order Guide Suffix	Description	List Price, Per Foot, Add
-SVF	Type 304 stainless steel top veneer frame, 2 pieces, 1 meter for pedestrian traffic only. Load Class A. To be placed over top edges of T1330-FL-FAB body.	\$28.00
Fabrications		
Order Guide Suffix	Description	List Price, Each, Add
-TEE	Fabricated Steel tee	\$455.00
-PB-45	45 Degree Body Section	\$341.00
-PB-90	90 Degree Body Section	\$682.00
-45	45 Degree Ductile Iron Slotted grate - Class E	\$58.00
-90	90 Degree Ductile Iron Slotted grate - Class E	\$116.00
-SOF	Side Outlet Fabrication	\$455.00
-CF	Cross Fabrication	\$515.00

Note: Custom designs are available. Contact MIFAB®

CALIFORNIA PROPOSITION 65 WARNING. This product contains chemicals known to the State of California to cause cancer and birth defects or other reproductive harm.

Design and dimensions are subject to modification. Prices do not include applicable taxes.

Visit www.mifab.com for the most recent product information.

MIFAB®, Inc., 1321 West 119th Street, Chicago, Illinois 60643-5109, USA
All sales subject to MIFAB's® Terms and Warranties. Please refer to inside back cover.

Toll Free: 1-800-465-2736, Fax: 1-773-341-3049
sales@mifab.com Canada Toll Free: 1-800-387-3880



SPECIFICATION:

MIFAB® Series T1330-FL-FAB-TH, 6" wide, 40" long, (or length as needed), pre-sloped (1/8" per foot) modular trench drain with "V" shaped bottom. Body is manufactured from 14 gauge steel and finished with an acid resistant powder epoxy coating. Each body has a 3" wide anchor flange on each side recessed 2 3/4" down from the top with one side sloped to position on top of the precast concrete slab adjoining the drain (Specify this dimension). Bodies have flanged ends to connect to each other with a neoprene rubber gasket in between. End and bottom outlets are available in 2", 3" or 4" no hub outlet connections and are fabricated as part of the trench drain system. 20" long, Class E, H-20 ductile iron grates are provided as standard (Suffix -4) along with grate lockdown hardware for each grate to secure to the body. Class A, B, C, D and E grates are also available (see pages 33-35). Catch basins are also available.

Go to www.mifab.com for the T1330-FL-FAB-TH Cross Section detail & specification sheet

Ductile Iron Grates (all 20" long. Two grates required per body section)		
Must add T1330-FL-FAB-TH body to grate prices. All 40" T1330-FL-FAB-TH bodies have a List Price of \$841.00		List Price, Per Foot, Add
Order Guide Suffix	Description	
-4	Ductile Iron, Extra Heavy Duty Slotted grate - Class E	\$18.15
-HP-4	Ductile Iron, Heel Proof Longitudinal Slotted Grate, Special Duty - Class E	\$35.00
-HP-4-13	Ductile Iron, Galvanized, Heel Proof Longitudinal Slotted Grate, Special Duty - Class E	\$62.00
-LG-4	Ductile Iron, Extra Heavy Duty, Longitudinal Slotted grate - Class E	\$26.60
-LG-4-13	Ductile Iron, Galvanized, Extra Heavy Duty, Longitudinal Slotted grate - Class E	\$75.03
-4-13	Ductile Iron, Galvanized, Extra Heavy Duty, Slotted grate - Class E	\$22.80
-4-3	Ductile Iron, Extra Heavy Duty Slotted grate with Stainless Steel Veneer - Class E (must order together with Steel frame with Stainless Steel veneer. Part # for assembly is T1400-PFO-TA-3 with open frame.	\$39.60
	(40" long steel frame with S.S. veneer and two D.I. grates with S.S. veneer)	\$175.80
-LG-4-3	Ductile Iron, Extra Heavy Duty Longitudinal Slotted grate with Stainless Steel veneer (must order together with Steel frame with Stainless Steel Veneer - Class E)	\$49.20
	Part # for assembly is T1400-LG-PFO-TA-3 with open frame. (40" long steel frame with S.S. veneer and two D.I. grates with S.S. veneer)	\$195.60

Note: Specify the total length of the T1330-FL-FAB-TH trench drain system required along with the type of grates required, number and size of outlets (specify bottom or end or both) and design of the trench drain system (straight run only or straight runs with corners and turns). Also specify the dimension of the slope of oneside of the anchor flange - to position it to be on top of the precast concrete slab adjoining the drain. MIFAB's Engineering team will produce a signoff drawing illustrating the T1330-FL-FAB-TH trench drain system requested for customer sign off and then MIFAB's Customer Service quotation. Each 40" long body section is sloped .80" from one end to the other.

End caps / Outlets / Accessories		
Order Guide Suffix	Description	List Price, Each, Add
-PEC	Closed end cap	\$46.00
-PE2	2" no hub end outlet	\$46.00
-PE3	3" no hub end outlet	\$46.00
-PE4	4" no hub end outlet	\$46.00
-PB2	2" no hub bottom outlet	\$46.00
-PB3	3" no hub bottom outlet	\$46.00
-PB4	4" no hub bottom outlet	\$46.00
-PBRD	Support board	\$55.00
-PBDS	Bottom dome strainer	\$55.00
Standard	5/16-18 x 2" Zinc Coated Bolts (2 per package) - for grate lockdown	N/C
-SSB	5/16-18 x 2" Stainless Steel Bolts (2 per package) - for grate lockdown	\$55.00
-PGLVP	2" long vandal resistant grate lockdown hardware (per grate)	\$44.00
-C	Membrane Clamp (2 pieces) with hardware	\$228.00

T1330-FL-FAB-TH bodies have a List Price of \$841.00 Each body is 40" long	List Price, Each (Body Only) \$841.00	List Price, Per Foot (Body Only) \$252.30
---	--	--

PER FOOT PRICE CALCULATION:

Full size bodies: Divide the above noted List Price (\$841.00) by length of the body (40") = \$21.025 List per inch.

$\$21.025 \times 12" = \252.30 List per foot (Body Only)

20" long ductile iron grates, (T1400-PG-4):

$\$18.15$ List per foot. (Grate only)

Therefore, a typical T1330-FL-FAB-TH trench drain system is **\$270.45 List Price / foot (\$252.30 + \$18.15)**. This List Price includes the body, two T1400-PG-4 ductile iron grates and grate lockdown hardware. End caps, outlet connections and all other accessories are extra.

Note: Custom designs are available. Contact MIFAB®

CALIFORNIA PROPOSITION 65 WARNING. This product contains chemicals known to the State of California to cause cancer and birth defects or other reproductive harm.



Fabricated Grates (See pages 33-35 for additional grate information)		
Order Guide Suffix	Description	List Price, Per Foot, Add
-AWG	Aluminum wire grate - Class A	\$282.60
-CDA	Stainless Steel, Circular Decorative grate - Class A	\$286.00
-DDA	Stainless Steel, Diagonal Decorative grate - Class A	\$286.00
-SSDA	Stainless Steel, Decorative grate - Class A	\$286.00
-DSG	Steel, Diagonal Decorative grate - Class A	\$15.90
-DWG	Steel, Decorative wave grate - Class A	\$15.90
-FSGA	Galvanized Steel, Fabricated Slotted grate - Class A	\$8.10
-FS	Stainless Steel, Fabricated Slotted grate - Class A	\$85.80
-HPSS	Stainless Steel, Fabricated Heel Proof Slotted grate - Class A	\$85.80
-HPP	Polypropylene, Heel Proof Slotted grate - Class A, 20" long (grate is a black color)	\$4.80
-HPP-GREY	Polypropylene, Heel Proof Slotted grate - Class A, 20" long (grate is a grey color)	\$4.80
-HPP-TAN	Polypropylene, Heel Proof Slotted grate - Class A, 20" long (grate is a tan color)	\$4.80
-PGG	Galvanized Steel, Fabricated Perforated grate - Class A	\$8.10
-PS	Stainless Steel, Fabricated Perforated grate -Class A	\$160.00
-SSWG	Stainless Steel, Fabricated Wire grate -Class A	\$286.00
-SDG	Steel, Fabricated Decorative grate -Class B	\$75.00
-LGHP	Steel, Fabricated Heel Proof Longitudinal grate -Class B	\$78.00
-FSB	Galvanized Steel, Fabricated Reinforced Slotted grate - Class B	\$105.00
-CDB	Stainless Steel, Circular Decorative grate - Class B	\$287.00
-DDB	Stainless Steel, Diagonal Decorative grate - Class B	\$287.00
-SSDB	Stainless Steel, Decorative grate - Class B	\$287.00
-RFS	Stainless Steel, Fabricated Reinforced Slotted grate - Class B	\$146.00
-RG	Galvanized Steel, Reinforced Perforated grate - Class B	\$9.30
-RPS	Stainless Steel, Fabricated Reinforced Perforated grate - Class B	\$162.00
-SBGGS	Galvanized Steel, Fabricated Slotted Bar grate - Class C	\$108.00
-SBGST	Steel, Fabricated Slotted Bar grate - Class C	\$86.00
-CDC	Steel, Fabricated Circular Decorative grate - Class C	\$138.00
-PHPP	Heel proof polypropylene, Perforated, Light Duty - Class A, 20" long (grate is a black color)	\$4.80
-SC	Steel, Fabricated Solid Cover - Class E	\$97.00
-SBG	Stainless Steel, Fabricated Bar grate - Class E	\$287.00
Frames		
Order Guide Suffix	Description	List Price, Per Foot, Add
-SVF	Type 304 stainless steel top veneer frame, 2 pieces, 1 meter for pedestrian traffic only. Load Class A. To be placed over top edges of T1330-FL-FAB body.	\$28.00

Fabrications		
Order Guide Suffix	Description	List Price, Each, Add
-TEE	Fabricated Steel tee	\$455.00
-PB-45	45 Degree Body Section	\$341.00
-PB-90	90 Degree Body Section	\$682.00
-45	45 Degree Ductile Iron Slotted grate - Class E	\$58.00
-90	90 Degree Ductile Iron Slotted grate - Class E	\$116.00
-SOF	Side Outlet Fabrication	\$455.00
-CF	Cross Fabrication	\$515.00

Note: Custom designs are available. Contact MIFAB®

CALIFORNIA PROPOSITION 65 WARNING. This product contains chemicals known to the State of California to cause cancer and birth defects or other reproductive harm.

Design and dimensions are subject to modification. Prices do not include applicable taxes.

Visit www.mifab.com for the most recent product information.

MIFAB®, Inc., 1321 West 119th Street, Chicago, Illinois 60643-5109, USA
All sales subject to MIFAB's® Terms and Warranties. Please refer to inside back cover.

Toll Free: 1-800-465-2736, Fax: 1-773-341-3049
sales@mifab.com Canada Toll Free: 1-800-387-3880



SPECIFICATION:

MIFAB® Series T1360-FL-FAB, 12" wide, 36" long, (or length as needed), pre-sloped (1/8" per foot) modular trench drain. Body is manufactured from 14 gauge steel and finished with an acid resistant powder epoxy coating. Each body has a 3" wide anchor flange on each side recessed 2 3/4" down from the top. Bodies have flanged ends to connect to each other with a neoprene rubber gasket in between. End and bottom outlets are available in 2", 3", 4" or 6" no hub outlet connections and are fabricated as part of the trench drain system. 12" long, Class E, H-20 ductile iron grates are provided as standard (Suffix -4). Catch basins are also available.

Go to www.mifab.com for the T1360-FL-FAB-TH Cross Section detail & specification sheet

Ductile Iron Grates (all 12" x 12". Three grates required per body section)		
Order Guide Suffix	Description	List Price, Per Foot, Add
-4	"Special Duty" Ductile Iron slotted grate (Standard) Load Class E	\$48.67
-4-3	"Special Duty" Ductile Iron slotted grate (Standard) Load Class E with Type 304 Stainless Steel Veneer.	\$260.00
-4-11	A.R.E. coated "Special Duty" Ductile Iron slotted grate (Standard) Load Class E	\$100.00
-4-13	Galvanized coated "Special Duty" Ductile Iron slotted grate (Standard) Load Class E	\$100.00
End caps / Outlets / Accessories		
Order Guide Suffix	Description	List Price, Each, Add
-PEC	Closed end cap	\$55.00
-PE2	2" no hub end outlet	\$55.00
-PE3	3" no hub end outlet	\$55.00
-PE4	4" no hub end outlet	\$55.00
-PE6	6" no hub end outlet	\$55.00
-PB2	2" no hub bottom outlet	\$55.00
-PB3	3" no hub bottom outlet	\$55.00
-PB4	4" no hub bottom outlet	\$55.00
-PB6	6" no hub bottom outlet	\$55.00
-PBDS	Bottom dome strainer	\$73.00
-PGLVP	Vandal resistant grate lockdown hardware (Suffix -6) (per grate)	\$55.00

Note: Specify the total length of the T1360-FL-FAB trench drain system required along with the type of grates required, number and size of outlets (specify bottom or end or both) and design of the trench drain system (straight run only or straight runs with corners and turns). MIFAB's Engineering team will produce a sign off drawing illustrating the T1360-FL-FAB trench drain system requested for customer sign off and then MIFAB Customer Service quotation. Each 36" long body section is sloped 3/8" from one end to the other.

Fabrications		
Order Guide Suffix	Description	List Price, Each, Add
-TEE	Fabricated Steel tee	\$685.00
-PB-45	45 Degree Body Section	\$465.00
-PB-90	90 Degree Body Section	\$926.00
-45	45 Degree Ductile Iron Slotted grate - Class E	\$91.00
-90	90 Degree Ductile Iron Slotted grate - Class E	\$182.00
-SOF	Side Outlet Fabrication	\$685.00
-CF	Cross Fabrication	\$685.00
-C	Membrane Clamp (2 pieces) with hardware	\$287.00
-PB-3	Fabricated T1360-FL-FAB body with Type 304 Stainless Steel overlay on frame of body.	\$1190.00

T1360-FL-FAB bodies have a List Price of \$860.00 Each body is 36" long	List Price, Each (Body Only) \$860.00	List Price, Per Foot (Body Only) \$286.67
--	--	--

PER FOOT PRICE CALCULATION:

Full size bodies:

Divide the above noted List Price (**\$860.00**) by length of the body (36") = **\$23.89** List per inch. (Body Only)

\$23.89 x 12" = \$286.67 List per foot (Body Only)

12" long ductile iron grates:

Divide the List Price (**\$48.67** for the F1440-PG-4 for example) by length of the grate (12") = **\$4.0558**

List per inch. \$4.0558 x 12" = \$48.67 List per foot. (Grate only)

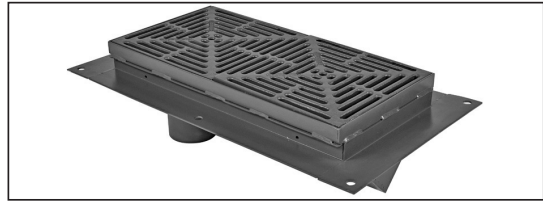
Therefore, a typical T1360-FL-FAB trench drain system is **\$335.34 List Price / foot (\$286.67 + \$48.67)**. This List Price includes the body and one F1440-PG-4 ductile iron grate. End caps, outlet connections and all other accessories are extra.

Note: Custom designs are available. Contact MIFAB®

CALIFORNIA PROPOSITION 65 WARNING. This product contains chemicals known to the State of California to cause cancer and birth defects or other reproductive harm.

SPECIFICATION:

MIFAB® Series T1360-FL-FAB-TH, 12" wide, 36" long, (or length as needed), pre-sloped (1/8" per foot) modular trench drain with "V" shaped bottom. Body is manufactured from 14 gauge steel and finished with an acid resistant powder epoxy coating. Each body has a 3" wide anchor flange on each side recessed 2 3/4" down from the top with one side sloped to position on top of the precast concrete slab adjoining the drain (Specify this dimension). Bodies have flanged ends to connect to each other with a neoprene rubber gasket in between. End and bottom outlets are available in 2", 3", 4" or 6" no hub outlet connections and are fabricated as part of the trench drain system. 12" long, Class E, H-20 ductile iron grates are provided as standard (Suffix -4). Catch basins are also available.



Note: Trench drain illustration is 24" long. The pricing below is based on a 36" long trench drain.

Go to www.mifab.com for the T1360-FL-FAB-TH Cross Section detail & specification sheet

Ductile Iron Grates (all 12" x 12". Three grates required per body section)		
Order Guide Suffix	Description	List Price, Per Foot, Add
-4	"Special Duty" Ductile Iron slotted grate (Standard) Load Class E	\$48.67
-4-3	"Special Duty" Ductile Iron slotted grate (Standard) Load Class E with Type 304 Stainless Steel Veneer	\$260.00
-4-11	A.R.E. coated "Special Duty" Ductile Iron slotted grate (Standard) Load Class E	\$100.00
-4-13	Galvanized coated "Special Duty" Ductile Iron slotted grate (Standard) Load Class E	\$100.00
End caps / Outlets / Accessories		
Order Guide Suffix	Description	List Price, Each, Add
-PEC	Closed end cap	\$55.00
-PE2	2" no hub end outlet	\$55.00
-PE3	3" no hub end outlet	\$55.00
-PE4	4" no hub end outlet	\$55.00
-PE6	6" no hub end outlet	\$55.00
-PB2	2" no hub bottom outlet	\$55.00
-PB3	3" no hub bottom outlet	\$55.00
-PB4	4" no hub bottom outlet	\$55.00
-PB6	6" no hub bottom outlet	\$55.00
-PBDS	Bottom dome strainer	\$73.00
-PGLVP	Vandal resistant grate lockdown hardware (Suffix -6) (per grate)	\$55.00
-C	Membrane Clamp (2 pieces) with hardware	\$287.00

Note: Specify the total length of the T1360-FL-FAB-TH trench drain system required along with the type of grates required, number and size of outlets (specify bottom or end or both) and design of the trench drain system (straight run only or straight runs with corners and turns). MIFAB®'s Engineering team will produce a signoff drawing illustrating the T1360-FL-FAB-TH trench drain system requested for customer sign off and then MIFAB Customer Service quotation. Each 36" long body section is sloped 3/8" from one end to the other.

Fabrications		
Order Guide Suffix	Description	List Price, Each, Add
-TEE	Fabricated Steel tee	\$685.00
-PB-45	45 Degree Body Section	\$465.00
-PB-90	90 Degree Body Section	\$926.00
-45	45 Degree Ductile Iron Slotted grate - Class E	\$91.00
-90	90 Degree Ductile Iron Slotted grate - Class E	\$182.00
-SOF	Side Outlet Fabrication	\$685.00
-CF	Cross Fabrication	\$685.00
-PB-3	Fabricated T1360-FL-FAB body with Type 304 Stainless Steel overlay on frame of body.	\$1190.00

T1360-FL-FAB-TH bodies have a List Price of \$900.00 Each body is 36" long	List Price, Each (Body Only) \$900.00	List Price, Per Foot (Body Only) \$300.00
---	--	--

PER FOOT PRICE CALCULATION:

Full size bodies: Divide the above noted List Price (**\$900.00**) by length of the body (36") = **\$25.00** List per inch. (Body Only)

\$25.00 x 12" = \$300.00 List per foot (Body Only)

12" long ductile iron grates: Divide the List Price (**\$48.67** for the F1440-PG-4 for example) by length of the grate (12") = **\$4.0558**

List per inch. \$4.0558 x 12" = \$48.67 List per foot. (Grate only)

Therefore, a typical T1360-FL-FAB-TH trench drain system is **\$348.67 List Price / foot (\$300.00 + \$48.67)**.

This List Price includes the body and one F1440-PG-4 ductile iron grate. End caps, outlet connections and all other accessories are extra.

Note: Custom designs are available. Contact MIFAB®

CALIFORNIA PROPOSITION 65 WARNING. This product contains chemicals known to the State of California to cause cancer and birth defects or other reproductive harm.



SPECIFICATION:

MIFAB® Series T2170, 17" wide, 48" long, (or length as needed), pre-sloped (1.00% built in slope) or neutral trench drain. Body is manufactured from 14 gauge steel and finished with an acid resistant powder epoxy coating. Each body has anchor tabs to secure the body within the concrete pour. Slotted tabs are located on both sides of the body for # 5 rebar tie down and leveling. Bodies have flanged ends to connect to each other with a neoprene rubber gasket in between. End and bottom outlets are available in 4", 6" or 8" no hub outlet connections and are fabricated as part of the trench drain system. Grates are bolted to brackets within the body. Class C grates are available with grate lockdown hardware (see page 38). Catch basins are also available.

Go to www.mifab.com for the T2170 Cross Section detail and specification sheet

Ductile Iron Grates (all 12" long. Four grates required per body section)		
Order Guide Suffix	Description	List Price, Per Foot, Add
-4	"Heavy Duty" Ductile Iron slotted grate (Standard), Load Class C	\$63.50
-4-3	"Heavy Duty" Ductile Iron slotted grate (Standard), Load Class C with Type 304 Stainless Steel Veneer	\$655.00
-4-11	"Heavy Duty" Ductile Iron slotted grate (Standard), Load Class C, acid resistant epoxy coated	\$194.00
-4-13	"Heavy Duty" Ductile Iron slotted grate (Standard), Load Class C, galvanized	\$194.00
-LGHP	"Heavy Duty", Heel Proof Longitudinal Slotted Ductile Iron, Load Class C	\$177.00
-PC	"Heavy Duty" Fabricated steel, acid resistant epoxy coated cover, Load Class C - 48" long	\$129.00
-13	Galvanized steel body	\$53.00
-3	Type 304 stainless steel overlay top frame (over top of fabricated steel body)	\$304.00

Note: Specify the total length of the T2170 trench drain system required along with the type of grates required, number and size of outlets (specify bottom or end or both) and design of the trench drain system (straight run only or straight runs with corners and turns). MIFAB's Engineering team will produce a sign off drawing illustrating the T2170 trench drain system requested for customer sign off and then MIFAB® Customer Service quotation. Each 48" long body section is sloped 1% from one end to the other.

End caps / Outlets / Accessories		
Order Guide Suffix	Description	List Price, Each, Add
-PEC	Closed end cap	\$160.00
-PE4	4" no hub end outlet	\$192.00
-PE6	6" no hub end outlet	\$192.00
-PE8	8" no hub end outlet	\$192.00
-PE10	10" no hub end outlet	\$380.00
-PB4	4" no hub bottom outlet	\$192.00
-PB6	6" no hub bottom outlet	\$192.00
-PB8	8" no hub bottom outlet	\$192.00
-PB10	10" no hub bottom outlet	\$380.00
-PB12	12" no hub bottom outlet	\$575.00
-PBDS	Bottom dome strainer	\$223.00
-PGLVP	Vandal resistant grate lockdown hardware (Suffix -6) (per grate)	\$7.00

Fabrications		
Order Guide Suffix	Description	List Price, Each, Add
-TEE	Fabricated Steel tee	\$1014.00
-PB-45	45 Degree Body Section	\$1014.00
-PB-90	90 Degree Body Section	\$1014.00
-45	45 Degree Ductile Iron Slotted grate - Class C	\$115.00
-90	90 Degree Ductile Iron Slotted grate - Class C	\$230.00
-SOF	Side Outlet Fabrication	\$1014.00
-CF	Cross Fabrication	\$2,032.00
-CUT	Cutting / per cut - Net Price only	\$131.00 Net Price Only

T2170 bodies have a List Price of \$750.00 Each body is 48" long	List Price, Each (Body Only) \$750.00	List Price, Per Foot (Body Only) \$187.50
---	---	---

PER FOOT PRICE CALCULATION:

Full size bodies:

Divide the above noted List Price (**\$750.00**) by length of the body (48") = **\$15.625** List per inch. (Body Only)

\$15.625 x 12" = \$187.50 List per foot (Body Only)

12" long ductile iron grates:

Divide the List Price (**\$63.50** for the T2170-PGC-4 for example) by length of the grate (12") = **\$5.2916**

List per inch. \$5.2916 x 12" = \$63.50 List per foot. (Grate only)

Therefore, a typical T2170 trench drain system is **\$251.00 List Price / foot (\$187.50 + \$63.50)**.

This List Price includes the body and the T2170-PGC-4 ductile iron grate. End caps, outlet connections and all other accessories are extra.

Note: Custom designs are available. Contact MIFAB®

CALIFORNIA PROPOSITION 65 WARNING. This product contains chemicals known to the State of California to cause cancer and birth defects or other reproductive harm.

SPECIFICATION:

MIFAB® Series T2400, 24" wide, 48" long, (or length as needed), pre-sloped (1.00% built in slope) or neutral trench drain. Body is manufactured from 14 gauge steel and finished with an acid resistant powder epoxy coating. Each body has anchor tabs to secure the body within the concrete pour. Slotted tabs are located on both sides of the body for # 5 rebar tie down and leveling. Bodies have flanged ends to connect to each other with a neoprene rubber gasket in between. End and bottom outlets are available in 4", 6", 8" or 12" no hub outlet connections and are fabricated as part of the trench drain system. Grates are bolted to brackets within the body. Class C grates are available with grate lockdown hardware (see page 38). Catch basins are also available.

Go to www.mifab.com for the T2400 Cross Section detail and specification sheet



Ductile Iron Grates (all 12" long. Four grates required per body section)		
Order Guide Suffix	Description	List Price, Per Foot, Add
-4	"Heavy Duty" Ductile Iron slotted grate (Standard), Load Class C	\$63.50
-4-3	"Heavy Duty" Ductile Iron slotted grate (Standard), Load Class C with Type 304 Stainless Steel Veneer	\$757.00
-4-11	"Heavy Duty" Ductile Iron slotted grate (Standard), Load Class C, acid resistant epoxy coated	\$212.00
-4-13	"Heavy Duty" Ductile Iron slotted grate (Standard), Load Class C, galvanized	\$212.00
-LGHP	"Heavy Duty", Heel Proof Longitudinal Slotted Ductile Iron, Load Class C	\$177.00
-PC	"Heavy Duty" Fabricated steel, acid resistant epoxy coated cover, Load Class C - 48" long	\$129.00
-13	Galvanized steel body	\$53.00
-3	Type 304 stainless steel overlay top frame (over top of fabricated steel body)	\$304.00

Note: Specify the total length of the T2400 trench drain system required along with the type of grates required, number and size of outlets (specify bottom or end or both) and design of the trench drain system (straight run only or straight runs with corners and turns).

MIFAB®'s Engineering team will produce a sign off drawing illustrating the T2400 trench drain system requested for customer sign off and then MIFAB® Customer Service quotation.

Each 48" long body section is sloped 1% from one end to the other.

End caps / Outlets / Accessories		
Order Guide Suffix	Description	List Price, Each, Add
-PEC	Closed end cap	\$184.00
-PE4	4" no hub end outlet	\$254.00
-PE6	6" no hub end outlet	\$254.00
-PE8	8" no hub end outlet	\$254.00
-PE10	10" no hub end outlet	\$384.00
-PB4	4" no hub bottom outlet	\$254.00
-PB6	6" no hub bottom outlet	\$254.00
-PB8	8" no hub bottom outlet	\$254.00
-PB10	10" no hub bottom outlet	\$384.00
-PB12	12" no hub bottom outlet	\$597.00
-PB18	18" no hub bottom outlet	\$974.00
-PBDS	Bottom dome strainer	\$223.00
-PGLVP	Vandal resistant grate lockdown hardware (Suffix -6) (per grate)	\$7.00

Fabrications		
Order Guide Suffix	Description	List Price, Each, Add
-TEE	Fabricated Steel tee	\$1014.00
-PB-45	45 Degree Body Section	\$1014.00
-PB-90	90 Degree Body Section	\$1014.00
-45	45 Degree Ductile Iron Slotted grate - Class C	\$115.00
-90	90 Degree Ductile Iron Slotted grate - Class C	\$230.00
-SOF	Side Outlet Fabrication	\$1014.00
-CF	Cross Fabrication	\$2,032.00
-CUT	Cutting / per cut - Net Price only	\$266.00 Net Price Only

T2400 bodies have a List Price of \$1,158.00 Each body is 48" long	List Price, Each (Body Only) \$1,158.00	List Price, Per Foot (Body Only) \$289.50
---	--	--

PER FOOT PRICE CALCULATION:
Full size bodies:

Divide the above noted List Price (**\$1,158.00**) by length of the body (48") = **\$24.125** List per inch. (Body Only)

$$\mathbf{\$24.125 \times 12" = \$289.50 \text{ List per foot (Body Only)}}$$

12" long ductile iron grates:

Divide the above List Price (**\$63.50** for the T2400-4 for example) by length of the grate (12") = **\$5.2916**

$$\mathbf{\text{List per inch. } \$5.2916 \times 12" = \$63.50 \text{ List per foot. (Grate only)}}$$

Therefore, a typical T2400 trench drain system is **\$353.00 List Price / foot (\$289.50 + \$63.50)**.

This List Price includes the body and the T2400-4 ductile iron grate. End caps, outlet connections and all other accessories are extra.

Note: Custom designs are available. Contact MIFAB®

CALIFORNIA PROPOSITION 65 WARNING. This product contains chemicals known to the State of California to cause cancer and birth defects or other reproductive harm.



SPECIFICATION:

MIFAB® Series T2600, 26" wide, 48" long, (or length as needed), pre-sloped (1.00% built in slope) or neutral trench drain. Body is manufactured from 14 gauge steel and finished with an acid resistant powder epoxy coating. Each body has anchor tabs to secure the body within the concrete pour. Slotted tabs are located on both sides of the body for # 5 rebar tie down and leveling. Bodies have flanged ends to connect to each other with a neoprene rubber gasket in between. End and bottom outlets are available in 4", 6", 8", 12" or 18" no hub outlet connections and are fabricated as part of the trench drain system. Grates are bolted to brackets within the body. Class C grates are available with grate lockdown hardware (see page 39). Catch basins are also available.

Go to www.mifab.com for the T2600 Cross Section detail & specification sheet

Ductile Iron Grates (all 12" long. Four grates required per body section)		
Order Guide Suffix	Description	List Price, Per Foot, Add
-4	"Heavy Duty" Ductile Iron slotted grate (Standard), Load Class C	\$63.50
-4-3	"Heavy Duty" Ductile Iron slotted grate (Standard), Load Class C with Type 304 Stainless Steel Veneer	\$812.00
-4-11	"Heavy Duty" Ductile Iron slotted grate (Standard), Load Class C, acid resistant epoxy coated	\$232.00
-4-13	"Heavy Duty" Ductile Iron slotted grate (Standard), Load Class C, galvanized	\$232.00
-LGHP	"Heavy Duty", Heel Proof Longitudinal Slotted Ductile Iron, Load Class C	\$177.00
-PC	"Heavy Duty" Fabricated steel, acid resistant epoxy coated cover, Load Class C - 48" long	\$129.00
-13	Galvanized steel body	\$53.00
-3	Type 304 stainless steel overlay top frame (over top of fabricated steel body)	\$304.00

Note: Specify the total length of the T2600 trench drain system required along with the type of grates required, number and size of outlets (specify bottom or end or both) and design of the trench drain system (straight run only or straight runs with corners and turns).

MIFAB's Engineering team will produce a sign off drawing illustrating the T2600 trench drain system requested for customer sign off and then MIFAB® Customer Service quotation. Each 48" long body section is sloped 1% from one end to the other.

End caps / Outlets / Accessories		
Order Guide Suffix	Description	List Price, Each, Add
-PEC	Closed end cap	\$192.00
-PE4	4" no hub end outlet	\$254.00
-PE6	6" no hub end outlet	\$254.00
-PE8	8" no hub end outlet	\$254.00
-PE10	10" no hub end outlet	\$455.00
-PE12	12" no hub end outlet	\$682.00
-PE18	18" no hub end outlet	\$1023.00
-PB4	4" no hub bottom outlet	\$254.00
-PB6	6" no hub bottom outlet	\$254.00
-PB8	8" no hub bottom outlet	\$254.00
-PB10	10" no hub bottom outlet	\$455.00
-PB12	12" no hub bottom outlet	\$682.00
-PB18	18" no hub bottom outlet	\$1023.00
-PBDS	Bottom dome strainer	\$223.00
-PGLVP	Vandal resistant grate lockdown hardware (Suffix -6) (per grate)	\$7.00

Fabrications		
Order Guide Suffix	Description	List Price, Each, Add
-TEE	Fabricated Steel tee	\$1014.00
-PB-45	45 Degree Body Section	\$1014.00
-PB-90	90 Degree Body Section	\$1014.00
-45	45 Degree Ductile Iron Slotted grate - Class C	\$115.00
-90	90 Degree Ductile Iron Slotted grate - Class C	\$230.00
-SOF	Side Outlet Fabrication	\$1014.00
-CF	Cross Fabrication	\$2,032.00
-CUT	Cutting / per cut - Net Price only	\$266.00 Net Price Only

T2600 bodies have a List Price of \$1,486.00 Each body is 48" long	List Price, Each (Body Only) \$1,486.00	List Price, Per Foot (Body Only) \$371.50
---	---	---

PER FOOT PRICE CALCULATION:

Full size bodies:

Divide the above noted List Price (**\$1,486.00**) by length of the body (48") = **\$30.9583** List per inch. (Body Only)

$$\mathbf{\$30.9583 \times 12" = \$371.50 \text{ List per foot (Body Only)}}$$

12" long ductile iron grates: Divide the above List Price (**\$63.50** for the T2600-PGC-4 for example) by length of the grate (12") = **\$5.2916**

$$\mathbf{\text{List per inch. } \$5.2916 \times 12" = \$63.50 \text{ List per foot. (Grate only)}}$$

Therefore, a typical T2600 trench drain system is **\$435.00 List Price / foot (\$371.50 + \$63.50)**.

This List Price includes the body and the T2600-PGC-4 ductile iron grate. End caps, outlet connections and all other accessories are extra.

Note: Custom designs are available. Contact MIFAB®

CALIFORNIA PROPOSITION 65 WARNING. This product contains chemicals known to the State of California to cause cancer and birth defects or other reproductive harm.

SPECIFICATION:

MIFAB® Series T1400-CB620, 6" wide, 20" long x 19.69" deep catch basin. Body is manufactured from polypropylene. Each body has two tabs for #3 rebar tie down and leveling. Bodies have interlocking ends and a radiused bottom for efficient liquid drainage. End outlets are available in 2", 3" and 4" no hub outlet connections. Grate options include ductile iron, galvanized steel, stainless steel and plastic along with grate lockdown hardware for each grate to secure to the body. These grates are available in Class A, B, C, D and E along with ADA compliance (see pages 33-35).

Go to www.mifab.com for the T1400-CB620 Cross Section detail and specification sheet



Ductile Iron Grates (all 20" long. One grate required per each T1400-CB620 catch basin) (Must use frame with grates - Load Class C and greater)			
Part #	Order Guide Suffix	Description	List Price, Each, Add, Per Catch Basin
T1400-PG-4	-4	Ductile Iron, Extra Heavy Duty, Ductile Iron Slotted grate - Class E	\$30.25
T1400-PG-HP-4	-HP-4	Ductile Iron, Heel Proof Longitudinal Slotted Grate, Special Duty - Class E	\$58.33
T1400-PG-HP-4-13	-HP-4-13	Ductile Iron, Galvanized, Heel Proof Longitudinal Slotted Grate, Special Duty - Class E	\$103.33
T1400-PG-LG-4	-LG-4	Ductile Iron, Extra Heavy Duty, Ductile Iron Longitudinal Slotted grate - Class E	\$44.33
T1400-PG-LG-4-13	-LG-4-13	Ductile Iron, Galvanized, Extra Heavy Duty, Ductile Iron Longitudinal Slotted grate - Class E	\$125.05
T1400-PG-4-13	-4-13	Ductile Iron, Galvanized, Extra Heavy Duty, Ductile Iron Slotted grate - Class E	\$38.00
T1400-PG-4-3	-4-3	Ductile Iron, Extra Heavy Duty Slotted grate with Stainless Steel Veneer - Class E (must order together with Steel frame with Stainless Steel veneer.	\$66.00
		Part # for assembly is T1400-PFO-TA-3 with open frame. (19.69" long steel frame with S.S. veneer and D.I. grate with S.S. veneer)	\$293.00
T1400-PG-LG-4-3	-LG-4-3	Ductile Iron, Extra Heavy Duty Longitudinal Slotted grate with Stainless Steel veneer (must order together with Steel frame with Stainless Steel Veneer - Class E)	\$82.00
		Part # for assembly is T1400-LG-PFO-TA-3 with open frame. (19.69" long steel frame with S.S. veneer and D.I. grate with S.S. veneer)	\$326.00
Outlets / accessories			
Part #	Order Guide Suffix	Description	List Price, Each, Add,
T1400-PEO4-CB	-PE4	4" no hub end outlet adapter	\$25.00
T1400-PBO4-CB	-PB4	4" no hub bottom outlet adapter	\$25.00
T1400-SB-13	-SB	Sediment bucket	\$148.00
T1400-CLIP	Standard	Connecting Clips (to connect bodies together)	N/C
T1400-PGL-STL	Standard	3 1/2" long grate lockdown hardware (per grate)	N/C
T1400-PGLVP	-PGLVP	3 1/2" long vandal resistant grate lockdown hardware (per grate)	\$7.00

Model Number	Dimensions			List Price, Each (Catch Basin Only)
	Length	Width	Weight (Less Grate)	
T1400-CB620	19.75"	6"	17.00 lbs.	\$443.00

CATCH BASIN AND GRATE PRICE CALCULATION:

Add the above noted List Price (\$443.00) of the T1400-CB620 catch basin body only to the List Price of the desired grate.

Full size standard ductile iron grates:

Add the above List Price (\$30.25 for the T1400-PG-4 for example) to the List Price of the T1400-CB620 Catch Basin only (\$443.00).

Therefore, a typical T1400-CB620 catch basin system is **\$473.25 List Price / each (\$443.00 + \$30.25)**. This List Price includes the catch basin body, ductile iron grate, grate lockdown hardware and support clips. Outlet connections and all other accessories are extra.

Note: See page 26 for the 12" x 24" and 24" x 24" catch basin model numbers and List Prices.

Note: Custom designs are available. Contact MIFAB®

CALIFORNIA PROPOSITION 65 WARNING. This product contains chemicals known to the State of California to cause cancer and birth defects or other reproductive harm.



Fabricated Grates (all 20" long. One grate required per each T1400-CB620 catch basin) (Must use frame with grates - Load Class C and greater)			
Part #	Order Guide Suffix	Description	List Price, Each, Add, Per Catch Basin
T1400-PG-AWG-CB	-AWG	Aluminum wire grate - Class A, 20" long	\$471.00
T1400-PG-CDA-CB	-CDA	Stainless Steel, Circular Decorative grate - Class A, 20" long	\$477.00
T1400-PG-DDA-CB	-DDA	Stainless Steel, Diagonal Decorative grate - Class A, 20" long	\$477.00
T1400-PG-SSDA-CB	-SSDA	Stainless Steel, Decorative grate - Class A, 20" long	\$477.00
T1400-PG-DSG-CB	-DSG	Steel, Diagonal Decorative grate - Class A, 20" long	\$53.00
T1400-PG-DWG-CB	-DWG	Steel, Decorative wave grate - Class A, 20" long	\$53.00
T1400-PG-FSGA-CB	-FSGA	Galvanized Steel, Fabricated Slotted grate - Class A, 20" long	\$34.00
T1400-PG-FS-CB	-FS	Stainless Steel, Fabricated Slotted grate - Class A, 20" long	\$143.00
T1400-PG-HPSS-CB	-HPSS	Stainless Steel, Fabricated Heel Proof Slotted grate - Class A, 20" long	\$143.00
T1400-PG-HPP-CB	-HPP	Polypropylene, Heel Proof Slotted grate - Class A, 20" long (grate is a black color)	\$100.00
T1400-PG-HPP-CB-TAN	-HPP-TAN	Polypropylene, Heel Proof Slotted grate - Class A, 20" long (grate is a tan color)	\$100.00
T1400-PG-HPP-CB-GREY	-HPP-GREY	Polypropylene, Heel Proof Slotted grate - Class A, 20" long (grate is a grey color)	\$100.00
T1400-PG-PGG-CB	-PGG	Galvanized Steel, Fabricated Perforated grate - Class A, 20" long	\$37.00
T1400-PG-PS-CB	-PS	Stainless Steel, Fabricated Perforated grate -Class A, 20" long	\$267.00
T1400-PG-SSWG-CB	-SSWG	Stainless Steel, Fabricated Wire grate -Class A, 20" long	\$477.00
T1400-PG-SDG-CB	-SDG	Steel, Fabricated Decorative grate -Class B, 20" long	\$125.00
T1400-PG-LGHP-CB	-LGHP	Steel, Fabricated Heel Proof Longitudinal grate -Class B, 20" long	\$130.00
T1400-PG-FSB-CB	-FSB	Galvanized Steel, Fabricated Reinforced Slotted grate - Class B, 20" long	\$175.00
T1400-PG-CDB-CB	-CDB	Stainless Steel, Circular Decorative grate - Class B, 20" long	\$479.00
T1400-PG-DDB-CB	-DDB	Stainless Steel, Diagonal Decorative grate - Class B, 20" long	\$479.00
T1400-PG-SSDB-CB	-SSDB	Stainless Steel, Decorative grate - Class B, 20" long	\$479.00
T1400-PG-RFS-CB	-RFS	Stainless Steel, Fabricated Reinforced Slotted grate - Class B, 20" long	\$256.00
T1400-PG-RG-CB	-RG	Galvanized Steel, Reinforced Perforated grate - Class B, 20" long	\$30.00
T1400-PG-RPS-CB	-RPS	Stainless Steel, Fabricated Reinforced Perforated grate - Class B, 20" long	\$270.00
T1400-PG-SBGGS-CB	-SBGGS	Galvanized Steel, Fabricated Slotted Bar grate - Class C, 20" long	\$180.00
T1400-PG-SBGST-CB	-SBGST	Steel, Fabricated Slotted Bar grate - Class C, 20" long	\$144.00
T1400-PG-CDC-CB	-CDC	Steel, Fabricated Circular Decorative grate - Class C, 20" long	\$230.00
T1400-PG-PHPP-CB	-PHPP	Heel Proof Polypropylene, Perforated grate - Class A, 20" long	\$100.00
T1400-PG-SC-CB	-SC	Steel, Fabricated Solid Cover - Class E, 20" long	\$162.00
T1400-PG-SBG-CB	-SBG	Stainless Steel, Fabricated Bar grate - Class E, 20" long	\$479.00
Frames			
Part #	Order Guide Suffix	Description	List Price, Each, Add, Per Catch Basin
T1400-PFO-CB	-HD	Extra H.D. 1/2 meter long angle iron steel frame assembly with anchor studs	\$128.00
T1400-PFO-13-CB	-HD-13	Extra H.D. 1/2 meter long galvanized angle iron steel frame assembly with anchor studs	\$210.00
T1400-PFO-3-CB	-HD-3	Extra H.D. 1/2 meter long angle iron steel frame assembly with S.S. veneer and anchor studs	\$443.00

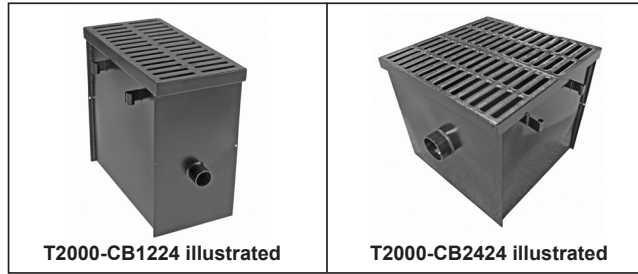
Note: Custom designs are available. Contact MIFAB®

CALIFORNIA PROPOSITION 65 WARNING. This product contains chemicals known to the State of California to cause cancer and birth defects or other reproductive harm.

SPECIFICATION:

MIFAB® Series T2000-CB1224, 12" wide, 24" long x 20" deep (or, MIFAB® Series T2000-CB2424, 24" wide, 24" long x 20" deep catch basin) catch basin. Body is manufactured from 14 gauge steel and finished with an acid resistant powder epoxy coating. Each body has four tabs for # 5 rebar tie down and leveling. End outlets are available in 3", 4", 6" and 8" no hub outlet connections and are fabricated as part of the catch basin. Grates options include ductile iron, galvanized steel, stainless steel and plastic along with grate lockdown hardware for each grate to secure to the body. These grates are available in Class A, B, C, D and E along with ADA and FAA compliance (see page 40).

Go to www.mifab.com for the T2000-CB1224 and T2000-CB2424 Cross Section details and specification sheets



Ductile Iron Grates (all 12" x 24". One grate required per T2000-CB1224 Catch Basin and two grates required per T2000-CB2424 Catch Basin)

Part #	Order Guide Suffix	Description	List Price, Each, Add, Per T2000-CB1224 Catch Basin	List Price for two grates Add, Per T2000-CB2424 Catch Basin
T2400-4	-4	"Special Duty" Ductile Iron slotted grate (Standard), Load Class F	\$63.50	\$127.00
T2400-4-3	-4-3	"Special Duty" Ductile Iron slotted grate (Standard), Load Class F with Type 304 Stainless Steel Veneer	\$757.00	\$1514.00
T2400-4-11	-4-11	"Special Duty" Ductile Iron slotted grate (Standard), Load Class F, acid resistant epoxy coated	\$212.00	\$424.00
T2400-4-13	-4-13	"Special Duty" Ductile Iron slotted grate (Standard), Load Class F, galvanized	\$212.00	\$424.00
T2400-PG-LGHP	-LGHP	"Heavy Duty", Heel Proof Longitudinal Slotted Ductile Iron, Load Class C	\$177.00	\$354.00
T2400-PC	-PC	"Heavy Duty" Fabricated steel, acid resistant epoxy coated cover, Load Class C	\$145.00	\$290.00

End caps / Outlets / Accessories

Part #	Order Guide Suffix	Description	List Price, Each, Add
T2000-PEO4-CB	-PE4	4" no hub end outlet adaptor	\$25.00
T2000-PEO6-CB	-PE6	6" no hub end outlet adaptor	\$25.00
T2000-PBO4-CB	-PB4	4" no hub bottom outlet adaptor	\$25.00
T2000-PBO6-CB	-PB6	6" no hub bottom outlet adaptor	\$25.00
T2000-CB1224-MB	-SB12	Sediment bucket for T2000-CB1224	\$192.00
T2000-CB2424-MB	-SB24	Sediment bucket for T2000-CB2424	\$254.00
T2400-PGLVP	-PGLVP	Vandal resistant grate lockdown hardware (Suffix -6) (per grate)	\$7.00

Frames

Part #	Order Guide Suffix	Description	List Price, Each, Add, Per Catch Basin
T2000-PFO-CB1224	-HD12	24" long angle iron steel frame assembly with anchor studs for T2000-CB1224 catch basin	\$128.00
T2000-PFO-CB2424	-HD24	24" long angle iron steel frame assembly with anchor studs for T2000-CB2424 catch basin	\$193.00
T2000-PFO-CB1224-11	-HD12-11	24" long acid resistant epoxy coated angle iron steel frame assembly with anchor studs for T2000-CB1224 catch basin	\$160.00
T2000-PFO-CB2424-11	-HD24-11	24" long acid resistant epoxy coated angle iron steel frame assembly with anchor studs for T2000-CB2424 catch basin	\$295.00
T2000-PFO-CB1224-13	-HD12-13	24" long galvanized angle iron steel frame assembly with anchor studs for T2000-CB1224 catch basin	\$160.00
T2000-PFO-CB2424-13	-HD24-13	24" long galvanized angle iron steel frame assembly with anchor studs for T2000-CB2424 catch basin	\$295.00
T2000-PFO-CB1224-3	-HD12-3	24" long Stainless Steel frame assembly for T2000-CB1224 catch basin with anchor studs	\$884.00
T2000-PFO-CB2424-3	-HD24-3	24" long Stainless Steel frame assembly for T2000-CB2424 catch basin with anchor studs	\$1,326.00

Model Number	Dimensions			List Price, Each (Catch Basin Only)
	Length	Width	Weight (Less Grate)	
T2000-CB1224	24"	12"	14.60 lbs.	\$669.50
T2000-CB2424	24"	24"	20.00 lbs.	\$857.00

PER FOOT PRICE CALCULATION:

T2000-CB1224 Catch Basin and Grate Price Calculation:

Add the above noted List Price (\$669.50) of the T2000-CB1224 catch basin body only to the List Price of the desired grate.

Standard ductile iron grate: (One piece of the T2400-4)

Add the above List Price (\$63.50 for the T2400-4 for example) to the List Price of the T2000-CB1224 Catch Basin only (\$669.50)

Therefore, a typical T2000-CB1224 catch basin system is **\$733.00 List Price / each (\$669.50 + \$63.50).**

This List Price includes the catch basin body, ductile iron grate, grate lockdown hardware and support clips. Outlet connections and all other accessories are extra.

T2000-CB2424 Catch Basin and Grate Price Calculation:

Add the above noted List Price (\$857.00) of the T2000-CB2424 catch basin body only to the List Price of the desired grate.

Standard ductile iron grates: (Two pieces of the T2400-4)

Add the above List Price (\$63.50 x 2 = \$127.00 for two pieces of the T2400-4 for example) to the List Price of the T2000-CB2424 Catch Basin only (\$857.00)

Therefore, a typical T2000-CB2424 catch basin system is **\$984.00 List Price / each (\$857.00 + \$127.00).**

This List Price includes the catch basin body, two ductile iron grates, grate lockdown hardware and support clips. Outlet connections and all other accessories are extra.

Note: The T2000-CB1224 and T2000-CB2424 can also be made to fit with the T1400 trench drains. Custom designs are available. Contact MIFAB®.

CALIFORNIA PROPOSITION 65 WARNING. This product contains chemicals known to the State of California to cause cancer and birth defects or other reproductive harm.

Design and dimensions are subject to modification. Prices do not include applicable taxes.

Visit www.mifab.com for the most recent product information.

MIFAB®, Inc., 1321 West 119th Street, Chicago, Illinois 60643-5109, USA
All sales subject to MIFAB's® Terms and Warranties. Please refer to inside back cover.

Toll Free: 1-800-465-2736, Fax: 1-773-341-3049
sales@mifab.com Canada Toll Free: 1-800-387-3880


SPECIFICATION:

MIFAB® Series T1500-CB620, 6" wide, 19.68" long x 23.62" deep FILCOTEN catch basin. Catch basin is manufactured from a fibre-reinforced concrete based material. Each catch basin is manufactured with an integral 4mm thick, extra heavy duty, galvanized steel rail and is capable of receiving body sections 0N, 5, 5N, 10 and 10N. Standard with a 4" No Hub side outlet. Grate options include extra heavy duty ductile iron grating (Load Class E) and heavy duty slotted and perforated galvanized steel (Load Class C). Grates are secured to the body with a four point self-locking system.

Ductile Iron Grates (all 20" long. Two grates required per body section)				
Part #	Order Guide Suffix	Description	List Price, Each, Add	List Price, Per Foot, Add
T1500-PG-4	-4	Ductile Iron, Extra Heavy Duty, Slotted grate - Class E, 1/2 Meter long	see FILCOTEN book	see FILCOTEN book
T1500-PG-4-13	-4-13	Galvanized, Ductile Iron, Extra Heavy Duty, Slotted grate - Class E, 1/2 Meter long	see FILCOTEN book	see FILCOTEN book
T1500-PG-4-ADA	-4-ADA	Ductile Iron, Extra Heavy Duty, Longitudinal Slotted grate - Class C, 1/2 Meter long	see FILCOTEN book	see FILCOTEN book
T1500-PG-4-13-ADA	-4-13-ADA	Galvanized, Ductile Iron, Extra Heavy Duty, Longitudinal Slotted grate - Class C, 1/2 Meter long	see FILCOTEN book	see FILCOTEN book
Note: All grates are made with a four point (snap in) grate locking system.				
Fabricated Grates				
Part #	Order Guide Suffix	Description	List Price, Each, Add	List Price, Per Foot, Add
T1500-PG-FSC-500	-FSC-500	Galvanized Steel, Fabricated Reinforced Slotted grate - Class C, 1/2 Meter long	see FILCOTEN book	see FILCOTEN book
T1400-PG-FPC-500	-FPC-500	Galvanized Steel, Fabricated Reinforced Perforated grate - Class C, 1/2 Meter long	see FILCOTEN book	see FILCOTEN book
T1500-PG-PGC	-PGG	ADA Heelproof, COMBee composite, Perforated grate - Class C, 1/2 Meter long	see FILCOTEN book	see FILCOTEN book
T1500-PG-FMC	-FMC	ADA Heelproof, Galvanized Steel, longitudinal slotted mesh grate - Class C, 1/2 Meter long	see FILCOTEN book	see FILCOTEN book
Note: All grates are made with a four point (snap in) grate locking system.				
End caps / outlets / accessories				
Part #	Order Guide Suffix	Description	List Price, Each, Add	
T1500-PGLVP	-6	Vandal proof grate lockdown (stainless steel) (Not for perforated grates) (per grate)	see FILCOTEN book	
Catch Basin Only				
Model #	Dimensions (Length)	Dimensions (Width)	List Price Each, (Catch Basin Only)	
T1500-CB620	19.68"	6"	see FILCOTEN book	



T1500-PG-4
Half meter, Ductile Iron Grate (Load Class E)



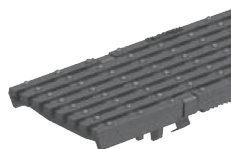
T1500-PG-FPC-500
Half meter, galvanized steel, perforated grate (Load Class C)



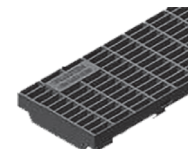
T1500-PG-FSC-500
Half meter, galvanized steel, slotted grate (Load Class C)



T1500-PG-PGC (Load Class C)
ADA HEELPROOF
COMBee composite grating with anti-slip surface structure (half meter)



T1500-PG-4-ADA (Load Class C)
ADA HEELPROOF
ductile iron longitudinal slot grating (half meter)



T1500-PG-FMC (Load Class C) ADA
galvanized steel mesh grating (half meter)

Note: Custom designs are available. Contact MIFAB®



SPECIFICATION:

MIFAB® Series T1500-3-CB620, 6" wide, 19.68" long x 23.62" deep FILCOTEN catch basin. Catch basin is manufactured from a fibre-reinforced concrete based material. Each catch basin is manufactured with an integral 4mm thick, extra heavy duty, stainless steel rail and is capable of receiving body sections 0N-3, 5-3, 5N-3, 10-3 and 10N-3. Standard with a 4" No Hub side outlet. Grate options include heavy duty slotted and perforated stainless steel (Load Class C). Grates are secured to the body with a four point self-locking system.



Fabricated Grates				
Part #	Order Guide Suffix	Description	List Price, Each, Add	List Price, Per Foot, Add
T1500-PG-FSSC-500	-FSSC-500	Stainless Steel, Fabricated Reinforced Slotted grate - Class C, 1/2 Meter long	see FILCOTEN book	see FILCOTEN book
T1500-PG-FSPC-500	-FSPC-500	Stainless Steel, Fabricated Reinforced Perforated grate - Class C, 1/2 Meter long	see FILCOTEN book	see FILCOTEN book
T1500-PG-PGC	-PGC	ADA Heelproof, COMBee composite, Perforated grate - Class C, 1/2 Meter long	see FILCOTEN book	see FILCOTEN book
Note: All grates are made with a four point (snap in) grate locking system.				
End caps / outlets / accessories				
Part #	Order Guide Suffix	Description	List Price, Each, Add	
T1500-PGLVP	-6	Vandal proof grate lockdown (stainless steel) (Not for perforated grates) (per grate)	see FILCOTEN book	
Catch Basin Only				
Model #	Dimensions (Length)	Dimensions (Width)		List Price Each, (Catch Basin Only)
T1500-3-CB620	19.68"	6"		see FILCOTEN book



T1500-PG-FPSC-500
Half meter, stainless steel, perforated grate
(Load Class C)



T1500-PG-FSSC-500
Half meter, stainless steel, slotted grate
(Load Class C)

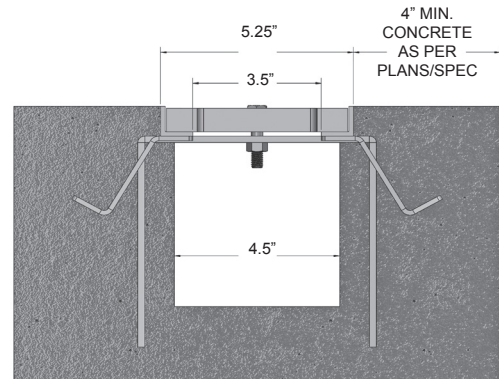
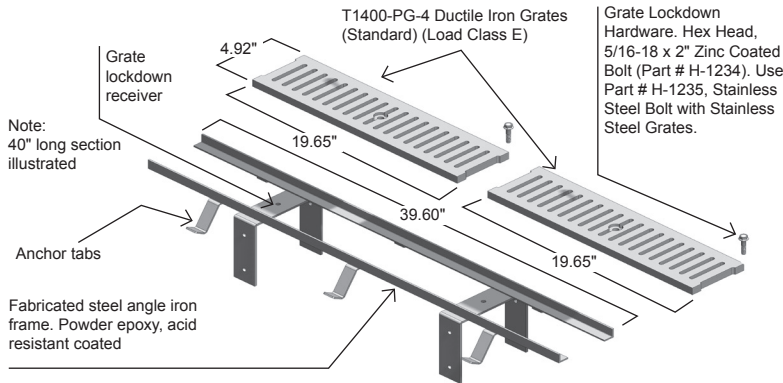


T1500-PG-PGC (Load Class C)
ADA HEELPROOF
COMBee composite grating with anti-slip
surface structure (half meter)

Note: Custom designs are available. Contact MIFAB®

T1100-F - 6" Wide, Frame and Grate System

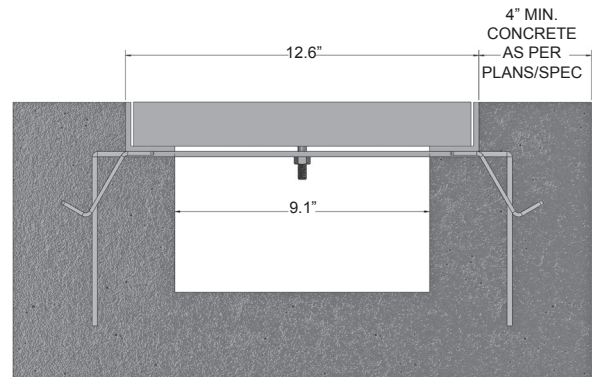
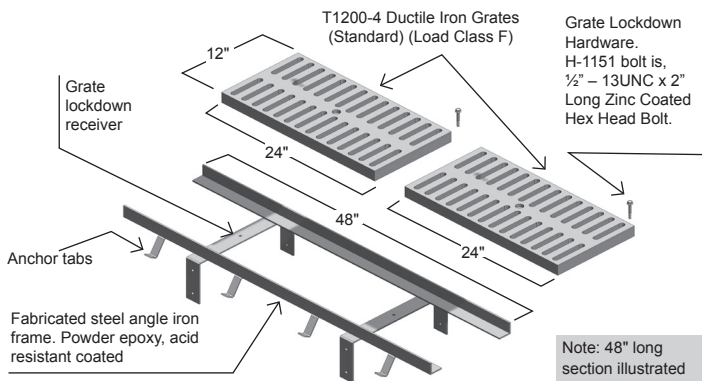
SPECIFICATION: MIFAB® Series T1100-F, 6" wide, frame and grate system available in 20" long increments with a heavy duty angle iron frame assembly (1" x 1" x 1/4") for all grates to secure to and finished with an acid resistant powder epoxy coating. Each 20" long section has two 1" x 3" long anchor tabs / leveling devices for securing into the surrounding concrete. Complete with MIFAB's standard ductile iron grate (T1400-PG-4). Load Class E. (see pages 33-35).



Note: See MPB List Price Book for T1100-F and T1200-F List Prices and discount structure.

T1200-F - 12" Wide, Frame and Grate System

SPECIFICATION: MIFAB® Series T1200-F, 12" wide, frame and grate system available in 24" long increments with a heavy duty angle iron frame assembly (1 3/4" x 1 3/4" x 1.875") for all grates to secure to and finished with an acid resistant powder epoxy coating. Each 24" long section has two 1" x 3" long anchor tabs / leveling devices for securing into the surrounding concrete. Complete with MIFAB's standard ductile iron grate (T1200-4). Load Class F. (see pages 36-37).



Note: Custom designs are available. Contact MIFAB®

CALIFORNIA PROPOSITION 65 WARNING. This product contains chemicals known to the State of California to cause cancer and birth defects or other reproductive harm.

SPECIFICATION:

MIFAB® Series T2170-F, 17" wide, frame and grate system available in 12" long increments with a heavy duty angle iron frame assembly (1 3/4" x 1 3/4" x 3/16") for all grates to secure to and finished with an acid resistant powder epoxy coating. Each 12" long section has two 1" x 3" long anchor tabs / leveling devices for securing into the surrounding concrete. Complete with MIFAB's standard ductile iron grate. Load Class C. (see page 38).



Go to www.mifab.com for the T2170-F Cross Section detail and specification sheet.

Ductile Iron Grates (all 12" long x 17" wide)		
Order Guide Suffix	Description	List Price, per 12" long section
-4	"Heavy Duty" Ductile Iron slotted grate (Standard), Load Class C	\$63.50
-4-3	"Heavy Duty" Ductile Iron slotted grate (Standard), Load Class C with Type 304 Stainless Steel Veneer	\$757.00
-4-11	"Heavy Duty" Ductile Iron slotted grate (Standard), Load Class C, acid resistant epoxy coated	\$212.00
-4-13	"Heavy Duty" Ductile Iron slotted grate (Standard), Load Class C, galvanized	\$212.00
-LGHP	"Heavy Duty", Heel Proof Longitudinal Slotted Ductile Iron, Load Class C	\$177.00
-PC	"Heavy Duty" Fabricated steel, acid resistant epoxy coated cover, Load Class C	\$129.00
-11	Acid resistant coated frame assembly	\$53.00
-13	Galvanized frame assembly	\$53.00
-3	Type 304 stainless steel overlay top frame (over top of fabricated steel frame)	\$304.00

Note: Specify the total length of the T2170-F trench drain frame and grate system required along with the type of grates required, and design of the trench drain system (straight run only or straight runs with corners and turns). MIFAB's Engineering team will produce a sign off drawing illustrating the T2170-F trench drain system requested for customer sign off and then MIFAB® Customer Service quotation.

Fabricated Grates (all 12" long x 17" wide)		
Order Guide Suffix	Description	List Price, per 12" long section
-PGG	Galvanized steel, perforated grate, meets ADA requirements	\$150.00

Accessories		
Order Guide Suffix	Description	List Price, Each, Add
-PGLVP	Vandal resistant grate lockdown hardware (Suffix -6) (per grate)	\$7.00

List Price, Per Foot (Frame Only)	
T2170-F frames have a List Price of \$149.50 Each frame section is available in 12" long increments	\$149.50

PER FOOT PRICE CALCULATION:

Divide the above noted List Price (**\$149.50**) by length of the frame (12") = **\$12.4583** List per inch. (Frame Only)

\$12.4583 x 12" = \$149.50 List per foot (Frame Only)

12" long x 17" wide long ductile iron grates:

Divide the above List Price (**\$63.50** for the T2170-PGC-4 for example) by length of the grate (12") = **\$5.2916**

List per inch. \$5.2916 x 12" = \$63.50 List per foot. (Grate only)

Therefore, a typical T2170-F trench frame and grate system is **\$213.00 List Price / foot (\$149.50 + \$63.50)**. This List Price includes the frame and the T2170-PGC-4 ductile iron grate. All other accessories are extra.

Note: Custom designs are available. Contact MIFAB®

CALIFORNIA PROPOSITION 65 WARNING. This product contains chemicals known to the State of California to cause cancer and birth defects or other reproductive harm.



SPECIFICATION:

MIFAB® Series T2400-F, 24" wide, frame and grate system available in 12" long increments with a heavy duty angle iron frame assembly (1½" x 1¼" x 3/16") for all grates to secure to and finished with an acid resistant powder epoxy coating. Each 12" long section has two 1" x 3" long anchor tabs / leveling devices for securing into the surrounding concrete. Complete with MIFAB's standard ductile iron grate. Load Class F. (see page 38).

Go to www.mifab.com for the T2400-F Cross Section detail and specification sheet.

Ductile Iron Grates (all 12" long x 24" wide)		
Order Guide Suffix	Description	List Price, per 12" long section
-4	"Special Duty" Ductile Iron slotted grate (Standard), Load Class C	\$63.50
-4-3	"Special Duty" Ductile Iron slotted grate (Standard), Load Class C with Type 304 Stainless Steel Veneer	\$757.00
-4-11	"Special Duty" Ductile Iron slotted grate (Standard), Load Class C, acid resistant epoxy coated	\$212.00
-4-13	"Special Duty" Ductile Iron slotted grate (Standard), Load Class C, galvanized	\$212.00
-LGHP	"Heavy Duty", Heel Proof Longitudinal Slotted Ductile Iron, Load Class C	\$177.00
-PC	"Heavy Duty" Fabricated steel, acid resistant epoxy coated cover, Load Class C	\$425.00
-11	Acid resistant coated frame assembly	\$53.00
-13	Galvanized frame assembly	\$53.00
-3	Type 304 stainless steel overlay top frame (over top of fabricated steel frame)	\$304.00

Note: Specify the total length of the T2400-F trench drain frame and grate system required along with the type of grates required, and design of the trench drain system (straight run only or straight runs with corners and turns).

MIFAB's Engineering team will produce a sign off drawing illustrating the T2400-F trench drain system requested for customer sign off and then MIFAB® Customer Service quotation.

Fabricated Grates (all 12" long x 24" wide)		
Order Guide Suffix	Description	List Price, per 12" long section
-PGG	Galvanized steel, perforated grate, meets ADA requirements	\$188.00
Accessories		
Order Guide Suffix	Description	List Price, Each, Add
-PGLVP	Vandal resistant grate lockdown hardware (Suffix -6) (per grate)	\$7.00

List Price, Per Foot (Frame Only)	
T2400-F frames have a List Price of \$253.50 Each frame section is available in 12" long increments	\$253.50

PER FOOT PRICE CALCULATION:

Divide the above noted List Price (**\$253.50**) by length of the frame (12") = **\$21.125** List per inch. (Frame Only)

\$21.125 x 12" = \$253.50 List per foot (Frame Only)

12" long x 24" wide ductile iron grates:

Divide the above List Price (**\$63.50** for the T2400-4 for example) by length of the grate (12") = **\$5.2916**

List per inch. \$5.2916 x 12" = \$63.50 List per foot. (Grate only)

Therefore, a typical T2400-F trench frame and grate system is **\$317.00 List Price / foot (\$253.50 + \$63.50)**.

This List Price includes the frame and the T2400-4 ductile iron grate. All other accessories are extra.

Note: Custom designs are available. Contact MIFAB®

CALIFORNIA PROPOSITION 65 WARNING. This product contains chemicals known to the State of California to cause cancer and birth defects or other reproductive harm.

SPECIFICATION:

MIFAB® Series T2600-F, 26" wide, frame and grate system available in 12" long increments with a heavy duty angle iron frame assembly (1 3/4" x 2 3/4" x 3/16") for all grates to secure to and finished with an acid resistant powder epoxy coating. Each 12" long section has two 1" x 3" long anchor tabs / leveling devices for securing into the surrounding concrete. Complete with MIFAB's standard ductile iron grate. Load Class C. (see page 39).



Go to www.mifab.com for the T2600-F Cross Section detail and specification sheet.

Ductile Iron Grates (all 12" long x 26" wide)		
Order Guide Suffix	Description	List Price, per 12" long section
-4	"Heavy Duty" Ductile Iron slotted grate (Standard), Load Class C	\$63.50
-4-3	"Heavy Duty" Ductile Iron slotted grate (Standard), Load Class C with Type 304 Stainless Steel Veneer	\$808.00
-4-11	"Heavy Duty" Ductile Iron slotted grate (Standard), Load Class C, acid resistant epoxy coated	\$231.00
-4-13	"Heavy Duty" Ductile Iron slotted grate (Standard), Load Class C, galvanized	\$231.00
-LGHP	"Heavy Duty", Heel Proof Longitudinal Slotted Ductile Iron, Load Class C	\$177.00
-PC	"Heavy Duty" Fabricated steel, acid resistant epoxy coated cover, Load Class C	\$425.00
-11	Acid resistant coated frame assembly	\$53.00
-13	Galvanized frame assembly	\$53.00
-3	Type 304 stainless steel top frame	\$304.00

Note: Specify the total length of the T2600-F trench drain frame and grate system required along with the type of grates required, and design of the trench drain system (straight run only or straight runs with corners and turns).
MIFAB's Engineering team will produce a sign off drawing illustrating the T2600-F trench drain system requested for customer sign off and then MIFAB® Customer Service quotation.

Fabricated Grates (all 12" long x 26" wide)		
Order Guide Suffix	Description	List Price, per 12" long section
-PGG	Galvanized steel, perforated grate, meets ADA requirements	\$188.00
Accessories		
Order Guide Suffix	Description	List Price, Each, Add
-PGLVP	Vandal resistant grate lockdown hardware (Suffix -6) (per grate)	\$7.00

List Price, Per Foot (Frame Only)	
T2600-F frames have a List Price of \$326.50 Each frame section is available in 12" long increments	\$326.50

PER FOOT PRICE CALCULATION:

Divide the above noted List Price (**\$326.50**) by length of the frame (12") = **\$27.2083** List per inch. (Frame Only)

\$27.2083 x 12" = \$326.50 List per foot (Frame Only)

26" wide x 12" long ductile iron grates:

Divide the above List Price (**\$63.50** for the T2600-PGC-4 for example) by length of the grate (12") = **\$5.2916**

List per inch. \$5.2916 x 12" = \$63.50 List per foot. (Grate only)

Therefore, a typical T2600-F trench frame and grate system is **\$390.00 List Price / foot (\$326.50 + \$63.50)**.
This List Price includes the frame and the T2600-PGC-4 ductile iron grate. All other accessories are extra.

Note: Custom designs are available. Contact MIFAB®

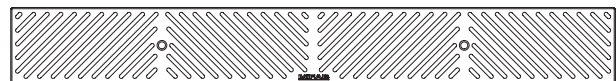
CALIFORNIA PROPOSITION 65 WARNING. This product contains chemicals known to the State of California to cause cancer and birth defects or other reproductive harm.

6" Wide Grates for T300, T1320-FL, T1330-FL-FAB, T1330-FL-FAB-TH and T1400 Trench Drain Systems and T1400-CB620 Catch Basins

Grate Part Number	Suffix	Description	Material	Weight (lbs./ft.)	Length	Free Area (sq. in. per ft.)	Slot Width / Hole Size	ADA	Load Ratings			
									DIN	ANSI	H-20	FAA
T1400-PG-AWG	-AWG	Aluminum wire grate	Aluminum	0.70	40"	37.50	0.250"	Yes	A	Light Duty	No	No
T1400-PG-CDA	-CDA	Circular Decorative	Stainless Steel	1.70	40"	17.60	0.250"	No	A	Light Duty	No	No
T1400-PG-DDA	-DDA	Diagonal Decorative	Stainless Steel	1.70	40"	17.90	0.250"	Yes	A	Light Duty	No	No
T1400-PG-SSDA	-SSDA	Decorative	Stainless Steel	1.70	40"	16.90	0.250"	No	A	Light Duty	No	No
T1400-PG-DSG	-DSG	Diagonal Decorative	Steel	5.00	40"	17.90	0.250"	Yes	A	Light Duty	No	No
T1400-PG-DWG	-DWG	Decorative Wave	Steel	5.00	40"	36.90	0.900"	No	A	Light Duty	No	No
T1400-PG-FSGA	-FSGA	Fabricated Slotted	Galvanized Steel	1.70	40"	12.00	0.375"	No	A	Light Duty	No	No
T1400-PG-FS	-FS	Fabricated Slotted	Stainless Steel	1.70	40"	12.00	0.375"	No	A	Light Duty	No	No
T1400-PG-HPSS	-HPSS	Heel Proof Slotted	Stainless Steel	7.10	40"	17.00	0.250"	Yes	A	Light Duty	No	No
T1400-PG-HPP	-HPP	Heel Proof Slotted	Polypropylene	0.90	20"	14.50	0.250"	Yes	A	Light Duty	No	No
T1400-PGG	-PGG	Fabricated Perforated	Galvanized Steel	1.60	40"	5.30	0.250" Dia.	Yes	A	Light Duty	No	No
T1400-PG-PHPP	-PHPP	Heel Proof Perforated	Polypropylene	0.90	20"	14.50	0.250" Dia.	Yes	A	Light Duty	No	No
T1400-PG-PS	-PS	Fabricated Perforated	Stainless Steel	1.80	40"	5.30	0.250" Dia.	Yes	A	Light Duty	No	No



T1400-PG-CDA



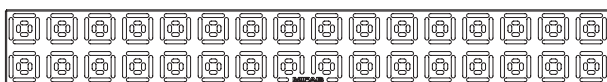
T1400-PG-DDA / DSG



T1400-PG-DWG



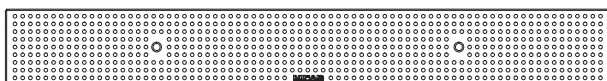
T1400-PG-FSGA / FS



T1400-PG-SSDA



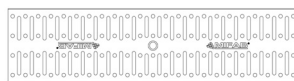
T1400-PG-HPSS



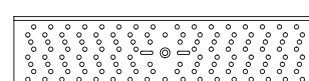
T1400-PGG / PS



T1400-PG-AWG



T1400-PG-HPP



T1400-PG-PHPP

(Must use frame with grates Load Class C and greater)

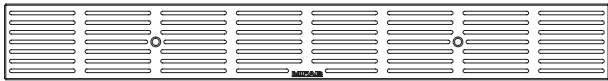
Note: Custom designs are available. Contact MIFAB®

Custom grate patterns and logos in steel and stainless steel are available upon request. Contact MIFAB®.

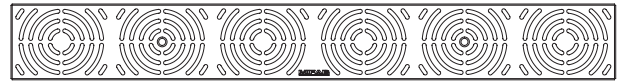
CALIFORNIA PROPOSITION 65 WARNING. This product contains chemicals known to the State of California to cause cancer and birth defects or other reproductive harm.

6" Wide Grates for T300, T1320-FL, T1330-FL-FAB, T1330-FL-FAB-TH and T1400 Trench Drain Systems and T1400-CB620 Catch Basins

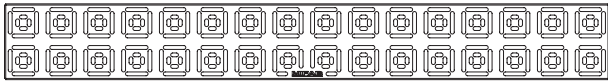
Grate Part Number	Suffix	Description	Material	Weight (lbs./ft.)	Length	Free Area (sq. in. per ft.)	Slot Width / Hole Size	ADA	Load Ratings			
									DIN	ANSI	H-20	FAA
T1400-PG-SSWG	-SSWG	Stainless Steel wire grate	Stainless Steel	2.50	40"	37.50	0.250"	Yes	A	Light Duty	No	No
T1400-PG-SDG	-SDG	Decorative	Steel	5.00	40"	16.90	0.250"	No	B	Medium Duty	No	No
T1400-PG-LGHP	-LGHP	Heel Proof Longitudinal	Steel	5.00	40"	17.00	0.250"	Yes	B	Medium Duty	No	No
T1400-PG-FSB	-FSB	Reinforced Slotted	Galvanized Steel	4.60	40"	6.00	0.500"	Yes	B	Medium Duty	No	No
T1400-PG-CDB	-CDB	Circular Decorative	Stainless Steel	7.20	40"	17.60	0.250"	No	B	Medium Duty	No	No
T1400-PG-DDB	-DDB	Diagonal Decorative	Stainless Steel	6.30	40"	17.90	0.250"	Yes	B	Medium Duty	No	No
T1400-PG-SSDB	-SSDB	Decorative	Stainless Steel	5.60	40"	16.90	0.250"	No	B	Medium Duty	No	No
T1400-PG-RFS	-RFS	Reinforced Slotted	Stainless Steel	4.00	40"	12.00	0.375"	No	B	Medium Duty	No	No
T1400-PG-RG	-RG	Reinforced Perforated	Galvanized Steel	4.00	40"	5.30	0.250" Dia.	Yes	B	Medium Duty	No	No
T1400-PG-RPS	-RPS	Reinforced Perforated	Stainless Steel	3.80	40"	5.30	0.250" Dia.	Yes	B	Medium Duty	No	No
T1400-PG-SBGGs	-SBGGs	Slotted Bar Grate	Galvanized Steel	4.50	40"	23.90	0.360"	No	C	Heavy Duty	Yes	No
T1400-PG-SBGST	-SBGST	Slotted Bar Grate	Steel	4.50	40"	23.90	0.360"	No	C	Heavy Duty	Yes	No
T1400-PG-CDC	-CDC	Circular Decorative	Steel	4.75	40"	17.60	0.250"	No	C	Heavy Duty	No	No



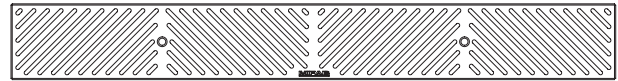
T1400-PG-LGHP



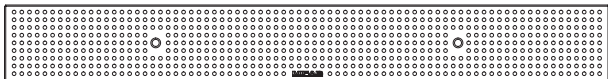
T1400-PG-CDB / CDC



T1400-PG-SDG / SSDB



T1400-PG-DDB



T1400-PG-RG / RPS



T1400-PG-FSB / RFS



T1400-PG-SSWG / SBGGs / SBGST

(Must use frame with grates Load Class C and greater)

Note: Custom designs are available. Contact MIFAB[®]

Custom grate patterns and logos in steel and stainless steel are available upon request. Contact MIFAB[®].

CALIFORNIA PROPOSITION 65 WARNING. This product contains chemicals known to the State of California to cause cancer and birth defects or other reproductive harm.

Design and dimensions are subject to modification. Prices do not include applicable taxes.

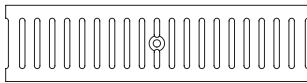
Visit www.mifab.com for the most recent product information.

MIFAB[®], Inc., 1321 West 119th Street, Chicago, Illinois 60643-5109, USA
All sales subject to MIFAB's[®] Terms and Warranties. Please refer to inside back cover.

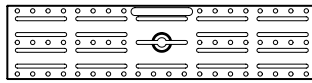
Toll Free: 1-800-465-2736, Fax: 1-773-341-3049
sales@mifab.com Canada Toll Free: 1-800-387-3880

6" Wide Grates for T300, T1320-FL, T1330-FL-FAB, T1330-FL-FAB-TH and T1400 Trench Drain Systems and T1400-CB620 Catch Basins

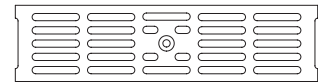
Grate Part Number	Suffix	Description	Material	Weight (lbs./ft.)	Length	Free Area (sq. in. per ft.)	Slot Width / Hole Size	ADA	Load Ratings			
									DIN	ANSI	H-20	FAA
T1400-PG-SC	-SC	Solid Cover	Steel	7.50	40"	N/A	N/A	Yes	E	Special Duty	Yes	Yes
T1400-PG-4	-4	Slotted	Ductile Iron	6.40	20"	27.80	0.350"	No	E	Special Duty	Yes	Yes
T1400-PG-HP-4	-HP-4	Longitudinal Slotted	Ductile Iron	6.40	20"	16.50	0.250"	Yes	E	Special Duty	Yes	Yes
T1400-PG-HP-4-13	-HP-4-13	Longitudinal Slotted	Galvanized Ductile Iron	6.40	20"	16.50	0.250"	Yes	E	Special Duty	Yes	Yes
T1400-PG-LG-4	-LG-4	Longitudinal Slotted	Ductile Iron	6.40	20"	27.80	0.470"	Yes	E	Special Duty	Yes	Yes
T1400-PG-LG-4-13	-LG-4-13	Longitudinal Slotted	Galvanized Ductile Iron	6.40	20"	27.80	0.470"	Yes	E	Special Duty	Yes	Yes
T1400-PG-4-13	-4-13	Slotted	Galvanized Ductile Iron	6.40	20"	27.80	0.350"	No	E	Special Duty	Yes	Yes
T1400-PG-SBG	-SBG	Slotted Bar Grate	Stainless Steel	9.40	40"	27.70	0.500"	No	E	Special Duty	Yes	Yes
T1400-PFO and T1400-PG-4	-HD	Steel Frame and Ductile Iron Grate	Steel / Ductile Iron	12.00	20"	27.80	0.350"	No	E	Special Duty	Yes	Yes
T1400-PFO-13 and T1400-PG-4-13	-HD-13	Galvanized Steel Frame and Ductile Iron Grate	Galv. Steel / Ductile Iron	12.00	20"	27.80	0.350"	No	E	Special Duty	Yes	Yes
T1400-PGV-4-3	-PGV-4-3	Steel Frame and Ductile Iron Grate with Stainless Steel veneer	Steel / Ductile Iron with S.S. veneer	12.00	20"	27.80	0.350"	No	E	Special Duty	Yes	Yes
T1400-PGV-LG-4-3	-PGV-LG-4-3	Steel Frame and Longitudinal Ductile Iron Grate with Stainless Steel veneer	Steel / Ductile Iron with S.S. veneer	12.00	20"	27.80	0.470"	Yes	E	Special Duty	Yes	Yes



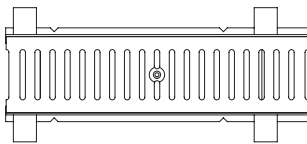
T1400-PG-4 / -4-13



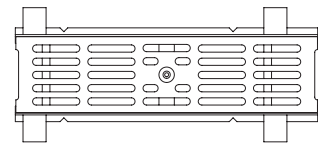
T1400-PG-HP-4 (-4-13)



T1400-PG-LG-4 / -LG-4-13



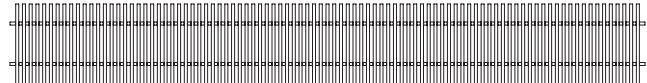
T1400-PFO and -PG-4 (PFO-13 and -4-13) (PGV-4-3)



T1400-PGV-LG-4-3



T1400-PG-SC



T1400-PG-SBG

(Must use frame with grates Load Class C and greater)

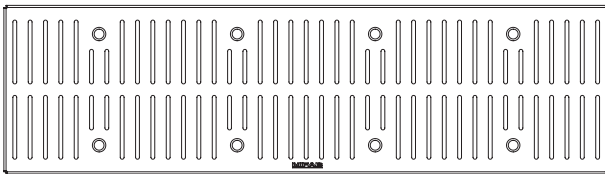
Note: Custom designs are available. Contact MIFAB®

A variety of different colors are available with MIFAB's polypropylene grates. Contact MIFAB®. Custom grate patterns and logos in steel and stainless steel are available upon request. Contact MIFAB®.

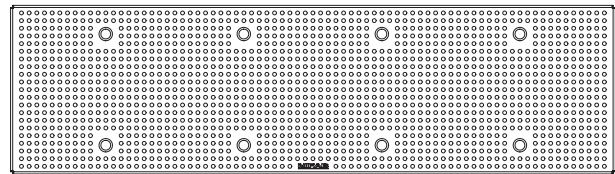
CALIFORNIA PROPOSITION 65 WARNING. This product contains chemicals known to the State of California to cause cancer and birth defects or other reproductive harm.

12" Wide Grates for T2000 Trench Drain Systems and T2000-CB1224 Catch Basins

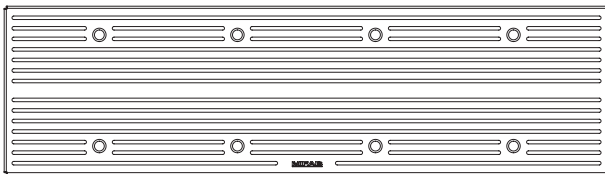
Grate Part Number	Suffix	Description	Material	Weight (lbs./ft.)	Length	Free Area (sq. in. per ft.)	Slot Width / Hole Size	ADA	Load Ratings			
									DIN	ANSI	H-20	FAA
T2000-PG-FSGA	-FSGA	Fabricated Slotted	Galvanized Steel	7.70	40"	25.61	0.375"	No	A	Light Duty	No	No
T2000-PG-FS	-FS	Fabricated Slotted	Stainless Steel	7.70	40"	25.61	0.375"	No	A	Light Duty	No	No
T2000-PG-FIB	-FIB	Square Slotted	Fiberglass	4.1	20"	96.48	1.5"	No	A	Light Duty	No	No
T2000-PG-PGG	-PGG	Fabricated Perforated	Galvanized Steel	7.00	40"	14.90	0.250" Dia.	Yes	A	Light Duty	No	No
T2000-PG-PS	-PS	Fabricated Perforated	Stainless Steel	7.30	40"	14.90	0.250" Dia.	Yes	A	Light Duty	No	No
T2000-PG-LGHP	-LGHP	Heel Proof Longitudinal	Steel	10.00	40"	33.70	0.250"	Yes	B	Medium Duty	No	No
T2000-PG-RGS	-RGS	Reinforced Slotted	Galvanized Steel	11.80	40"	25.61	0.375"	No	B	Medium Duty	No	No
T2000-PG-RFS	-RFS	Reinforced Slotted	Stainless Steel	12.20	40"	25.61	0.375"	No	B	Medium Duty	No	No
T2000-PG-RG	-RG	Reinforced Perforated	Galvanized Steel	11.30	40"	14.90	0.250" Dia.	Yes	B	Medium Duty	No	No
T2000-PG-RPS	-RPS	Reinforced Perforated	Stainless Steel	11.60	40"	14.90	0.250" Dia.	Yes	B	Medium Duty	No	No



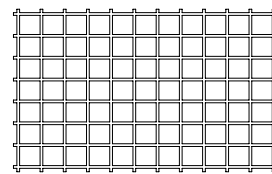
T2000-FSGA / FS / RGS / RFS



T2000-PGG / PS / RG / RPS



T2000-LGHP



T2000-PG-FIB

A variety of different colors are available with MIFAB's PVC grates. Contact MIFAB®. Custom grate patterns and logos in steel and stainless steel are available upon request. Contact MIFAB®.

Note: Custom designs are available. Contact MIFAB®

CALIFORNIA PROPOSITION 65 WARNING. This product contains chemicals known to the State of California to cause cancer and birth defects or other reproductive harm.

Design and dimensions are subject to modification. Prices do not include applicable taxes.

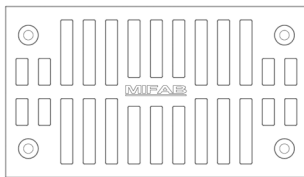
Visit www.mifab.com for the most recent product information.

MIFAB®, Inc., 1321 West 119th Street, Chicago, Illinois 60643-5109, USA
All sales subject to MIFAB's® Terms and Warranties. Please refer to inside back cover.

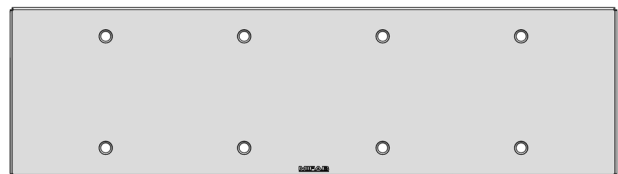
Toll Free: 1-800-465-2736, Fax: 1-773-341-3049
sales@mifab.com Canada Toll Free: 1-800-387-3880

12" Wide Grates for T2000 Trench Drain Systems and T2000-CB1224 Catch Basins

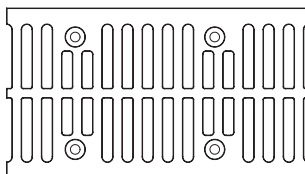
Grate Part Number	Suffix	Description	Material	Weight (lbs./ft.)	Length	Free Area (sq. in. per ft.)	Slot Width / Hole Size	ADA	Load Ratings			
									DIN	ANSI	H-20	FAA
T2000-PGC-4	-PGC-4	Slotted Grate	Ductile Iron	14.70	20"	86.70	0.980"	No	C	Heavy Duty	Yes	No
T2000-PGC-4-11	-PGC-4-11	Slotted Grate	A.R.E. coated, Ductile Iron	14.70	20"	86.70	0.980"	No	C	Heavy Duty	Yes	No
T2000-PGC-4-13	-PGC-4-13	Slotted Grate	Galvanized, Ductile Iron	14.70	20"	86.70	0.980"	No	C	Heavy Duty	Yes	No
T2000-PG-SBG	-SBG	Slotted Bar Grate	Stainless Steel	22.50	40"	73.90	0.750"	No	C	Heavy Duty	Yes	No
T2000-PG-SBGGS	-SBGGS	Slotted Bar Grate	Galvanized Steel	15.00	40"	73.90	0.750"	No	D	Heavy Duty	Yes	No
T2000-PC	-PC	Solid Cover	Steel	22.00	40"	N/A	N/A	Yes	E	Special Duty	Yes	Yes
T2000-PCSS	-PCSS	Solid Cover	Stainless Steel	20.00	40"	N/A	N/A	Yes	E	Special Duty	Yes	Yes
T2000-PGF-4	-PGF-4	Slotted Grate	Ductile Iron	26.00	20"	54.00	0.700"	No	F	Special Duty	Yes	Yes
T2000-PGF-4-11	-PGF-4-11	Slotted Grate	A.R.E. coated, Ductile Iron	26.00	20"	54.00	0.700"	No	F	Special Duty	Yes	Yes
T2000-PGF-4-13	-PGF-4-13	Slotted Grate	Galvanized, Ductile Iron	26.00	20"	54.00	0.700"	No	F	Special Duty	Yes	Yes



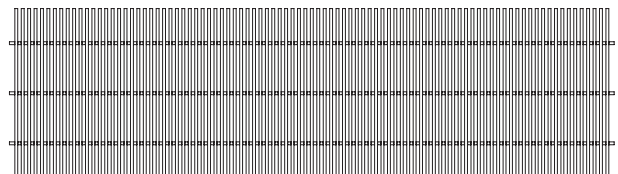
T2000-PG-PGC-4 / (-4-11) / (-4-13)



T2000-PG-PC / PCSS



T2000-PG-PGF-4 / (-4-11) / (-4-13)



T2000-PG-SBG / SBGGS

Custom grate patterns and logos in steel and stainless steel are available upon request. Contact MIFAB[®].

Note: Custom designs are available. Contact MIFAB[®]

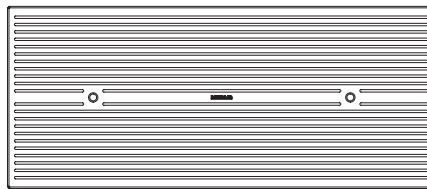
CALIFORNIA PROPOSITION 65 WARNING. This product contains chemicals known to the State of California to cause cancer and birth defects or other reproductive harm.

17" Wide Grates for T2170 Trench Drain System

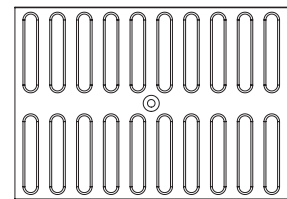
Grate Part Number	Suffix	Description	Material	Weight (lbs./ft.)	Length	Free Area (sq. in. per ft.)	Slot Width / Hole Size	ADA	Load Ratings			
									DIN	ANSI	H-20	FAA
T2170-PC	-PC	Solid Cover	Steel	25.00	40"	N/A	N/A	Yes	C	Heavy Duty	Yes	No
T2170-PGC-4	-PGC-4	Slotted Grate	Ductile Iron	27.00	12"	118.00	0.980"	No	C	Heavy Duty	Yes	No
T2170-PG-LGHP	-LGHP	Heel Proof Longitudinal	Steel	20.00	40"	37.07	0.250"	Yes	C	Heavy Duty	Yes	No
T2170-PGF-4	-PGF-4	Slotted Grate	Ductile Iron	49.00	12"	90.00	0.700"	No	F	Special Duty	Yes	Yes



T2170-PC



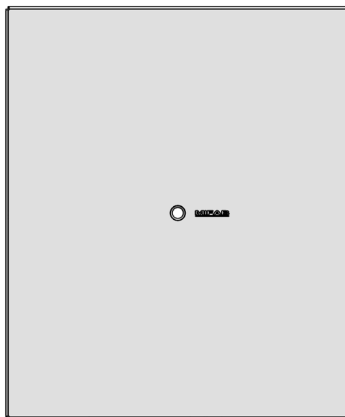
T2170-PG-LGHP



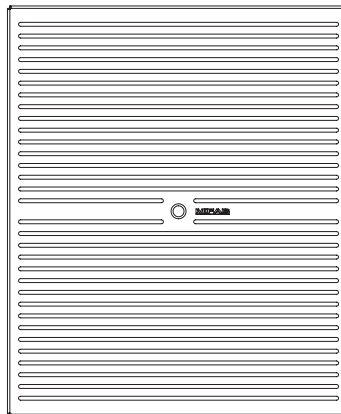
T2170-PGC-4 and T2170-PGF-4

24" Wide Grates for T2400 Trench Drain System

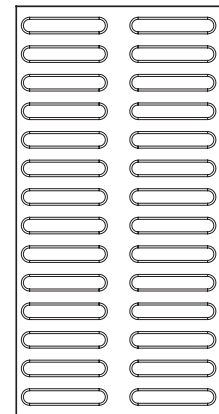
Grate Part Number	Suffix	Description	Material	Weight (lbs./ft.)	Length	Free Area (sq. in. per ft.)	Slot Width / Hole Size	ADA	Load Ratings			
									DIN	ANSI	H-20	FAA
T2400-PC	-PC	Solid Cover	Steel	45.00	20"	N/A	N/A	Yes	C	Heavy Duty	Yes	No
T2400-PG-LGHP	-LGHP	Heel Proof Longitudinal	Steel	45.00	20"	31.20	0.250"	Yes	C	Heavy Duty	Yes	No
T2400-4	-4	Slotted Grate	Ductile Iron	73.40	12"	111.90	1.030"	No	F	Special Duty	Yes	Yes



T2400-PC



T2400-PG-LGHP



T2400-4

Custom grate patterns and logos in steel and stainless steel are available upon request. Contact MIFAB®.

Note: Custom designs are available. Contact MIFAB®

CALIFORNIA PROPOSITION 65 WARNING. This product contains chemicals known to the State of California to cause cancer and birth defects or other reproductive harm.

Design and dimensions are subject to modification. Prices do not include applicable taxes.

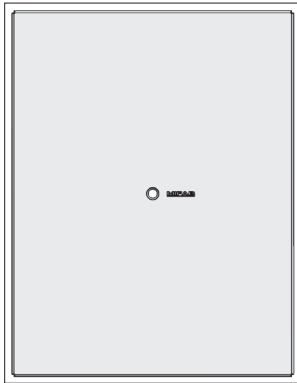
Visit www.mifab.com for the most recent product information.

MIFAB®, Inc., 1321 West 119th Street, Chicago, Illinois 60643-5109, USA
All sales subject to MIFAB's® Terms and Warranties. Please refer to inside back cover.

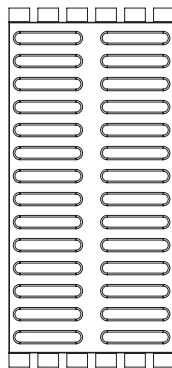
Toll Free: 1-800-465-2736, Fax: 1-773-341-3049
sales@mifab.com Canada Toll Free: 1-800-387-3880

26" Wide Grates for T2600 Trench Drain System

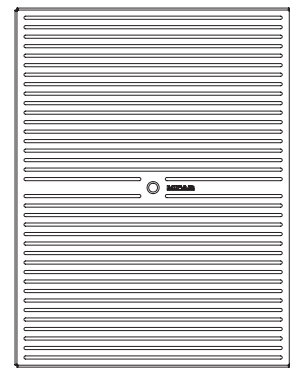
Grate Part Number	Suffix	Description	Material	Weight (lbs./ft.)	Length	Free Area (sq. in. per ft.)	Slot Width / Hole Size	ADA	Load Ratings			
									DIN	ANSI	H-20	FAA
T2600-PC	-PC	Solid Cover	Steel	50.00	20"	N/A	N/A	Yes	C	Heavy Duty	Yes	No
T2600-PGC-4	-PGC-4	Slotted Grate	Ductile Iron	85.20	12"	132.00	1.030"	No	C	Heavy Duty	Yes	No
T2600-PG-LGHP	-LGHP	Heel Proof Longitudinal	Steel	47.00	20"	39.40	0.250"	Yes	C	Heavy Duty	Yes	No
T2600-PGF-4	-PGF-4	Slotted Grate	Ductile Iron	85.20	12"	132.00	1.030"	Yes	F	Special Duty	Yes	Yes



T2600-PC



T2600-PGC-4 / PGF-4



T2600-PG-LGHP

4 3/4" Wide Grates for T275 Trench Drain System

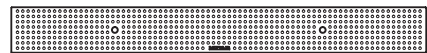
Grate Part Number	Suffix	Description	Material	Weight (lbs./ft.)	Length	Free Area (sq. in. per ft.)	Slot Width / Hole Size	ADA	Load Ratings			
									DIN	ANSI	H-20	FAA
T275-PG-SSDA	-SSDA	Decorative	Stainless Steel	1.50	Per Spec	11.50	0.250"	No	A	Light Duty	No	No
T275-PG-FSGA	-FSGA	Fabricated Slotted	Galvanized Steel	1.80	Per Spec	10.20	0.375"	No	A	Light Duty	No	No
T275-PG-FS	-FS	Fabricated Slotted	Stainless Steel	1.80	Per Spec"	10.20	0.375"	No	A	Light Duty	No	No
T275-PG-HPP	-HPP	Heel Proof Slotted	Polypropylene	0.78	Per Spec"	10.30	0.250"	Yes	A	Light Duty	No	No
T275-PG-PGG	-PGG	Fabricated Perforated	Galvanized Steel	1.20	Per Spec"	5.90	0.250" Dia.	Yes	A	Light Duty	No	No
T275-PG-PS	-PS	Fabricated Perforated	Stainless Steel	1.20	Per Spec	5.90	0.250" Dia.	Yes	A	Light Duty	No	No
T275-PG-4	-4	Slotted	Ductile Iron	5.20	Per Spec	12.20	0.375"	No	E	Special Duty	Yes	Yes



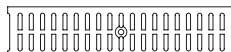
T275-PG-SSDA



T275-PG-FSGA / FS



T275-PG-PG / PS



T275-PG-HPP



T275-PG-4

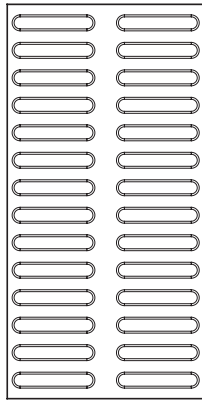
Custom grate patterns and logos in steel and stainless steel are available upon request. Contact MIFAB®.

Note: Custom designs are available. Contact MIFAB®

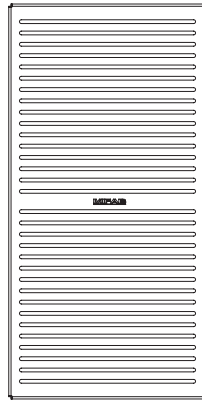
CALIFORNIA PROPOSITION 65 WARNING. This product contains chemicals known to the State of California to cause cancer and birth defects or other reproductive harm.

Grates for T2000-CB2424 Series of Catch Basins

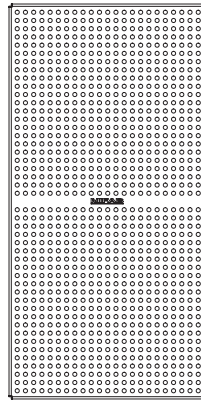
Grate Part Number	Suffix	Description	Material	Weight (lbs./ft.)	Length	Width	Free Area (sq. in. per ft.)	Slot Width / Hole Size	ADA	Load Ratings			
										DIN	ANSI	H-20	FAA
Note: Two of the T2000-PG-PVC grates are required to attain a 24" x 24" grate dimension as each grate is 12" x 24"													
T2000-PG-RGS	-RGS	Reinforced Slotted	Galvanized Steel	46.20	24"	24"	101.00	0.380"	Yes	B	Light Duty	No	No
T2000-PG-RFS	-RFS	Reinforced Slotted	Stainless Steel	47.50	24"	24"	101.00	0.380"	Yes	B	Light Duty	No	No
T2000-PG-RG	-RG	Reinforced Perforated	Galvanized Steel	46.70	24"	24"	62.52	0.250" Dia.	Yes	B	Light Duty	No	No
T2000-PG-RPS	-RPS	Reinforced Perforated	Stainless Steel	48.00	24"	24"	62.52	0.250" Dia.	Yes	B	Light Duty	No	No
T2000-PGF-4	-PGF-4	Slotted Grate	Ductile Iron	73.40	24"	12"	111.90	1.030"	No	F	Special Duty	Yes	Yes
Note: Two of the T2000-PGF-4 grates are required to attain a 24" x 24" grate dimension as each grate is 12" x 24"													



T2000-PGF-4

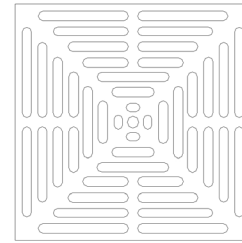


T2000-PG-RGS / RFS



T2000-PG-RG / RPS

12" x 12" Grate for T1350-FL, T1360-FL-FAB and T1360-FL-FAB-TH Trench Drain Systems



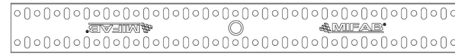
F1440-PG-4

Note: Two of the T2000-PGF-4 grates are required to attain a 24" x 24" grate dimension as each grate is 12" x 24"

2 1/2" Wide Grates for T250 Trench Drain System



T250-PG-AWG



T250-PG-HPP



T250-PG-SSDA



T250-PG-SSWG

Grate Part Number	Suffix	Description	Material	Weight (lbs./ft.)	Length	Free Area (sq. in. per ft.)	Slot Width / Hole Size	ADA	Load Ratings			
									DIN	ANSI	H-20	FAA
T250-PG-AWG	-AWG	Aluminum wire grate	Aluminum	0.35	Per Spec	18.00	0.25"	Yes	A	Light Duty	No	No
T250-PG-HPP	-HPP	Heel Proof Slotted	Polypropylene	0.70	Per Spec	9.00	0.25"	Yes	A	Light Duty	No	No
T250-PG-SSDA	-SSDA	Decorative	Stainless Steel	1.30	Per Spec	11.00	0.25"	Yes	A	Light Duty	No	No
T250-PG-SSWG	-SSWG	Stainless Steel wire grate	Stainless Steel	1.25	Per Spec	18.00	0.25"	Yes	A	Light Duty	No	No

Custom grate patterns and logos in steel and stainless steel are available upon request. Contact MIFAB®.

Note: Custom designs are available. Contact MIFAB®

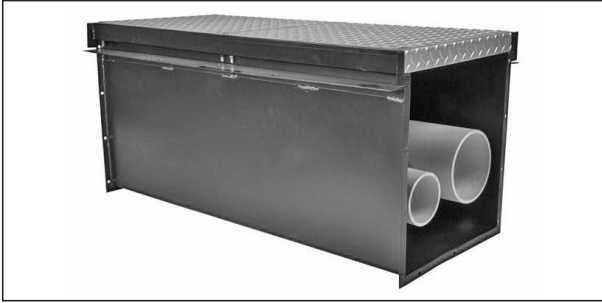
CALIFORNIA PROPOSITION 65 WARNING. This product contains chemicals known to the State of California to cause cancer and birth defects or other reproductive harm.

Design and dimensions are subject to modification. Prices do not include applicable taxes.

Visit www.mifab.com for the most recent product information.

MIFAB®, Inc., 1321 West 119th Street, Chicago, Illinois 60643-5109, USA
All sales subject to MIFAB's® Terms and Warranties. Please refer to inside back cover.

Toll Free: 1-800-465-2736, Fax: 1-773-341-3049
sales@mifab.com Canada Toll Free: 1-800-387-3880



SPECIFICATION:

MIFAB® Series T4000-HDSC, (specify model number for required width and depth), 80" long, non sloped heavy duty utility chase drainage system. Body is manufactured from 14 gauge steel and finished with an acid resistant powder epoxy coating. Each body has a 3" wide anchor flange on each side recessed 2 3/4" down from the top with securing holes 15" apart for # 5 rebar tie down and leveling. Bodies have flanged ends to connect to each other with a neoprene rubber gasket in between. Complete with fabricated heavy duty 7 gauge covers, powder epoxy, acid resistant coated.

Go to www.mifab.com for the T4000-HDSC Cross Section detail and specification sheet.

Accessories and 45 and 90 Degree Fabrications

Order Guide Suffix	Description	List Price, Each, Add
-PB-45	45 Degree Body Section	\$508.00
-PB-90	90 Degree Body Section	\$508.00
-45	45 Degree Solid Steel, Diamond Plate Cover - Class C (Class E for T4000-HDSC-9 model)	\$285.00
-90	90 Degree Solid Steel, Diamond Plate Cover - Class C (Class E for T4000-HDSC-9 model)	\$285.00
-CUT	Cutting / per cut - Net Price only	\$261.00 Net Price Only
-CF	Cross Fabrication	\$1014.00
-PEC	End Caps	\$187.00

Note: Specify either the T4000-HDSC-9, T4000-HDSC-12, T4000-HDSC-18 or T4000-HDSC-21 model when ordering the 45 or 90 degree body sections or grates and other accessories so that these parts can be made to fit the required T4000-HDSC model.

Part #	Load Class	List Price, Per Foot (Body and Steel Cover)
T4000-HDSC-9 (9 1/4" wide x 12" deep)	E	\$270.00
T4000-HDSC-12 (12" wide x 18" deep)	C	\$322.00
T4000-HDSC-18 (18" wide x 24" deep)	C	\$433.00
T4000-HDSC-21 (21" wide x 30" deep)	C	\$508.00

Note: Specify the total length of the T4000-HDSC utility trench drain system required and design of the trench drain system (straight run only or straight runs with corners and turns).

MIFAB®'s Engineering team will produce a sign off drawing illustrating the T4000-HDSC utility trench drain system requested for customer sign off and then MIFAB® Customer Service quotation.

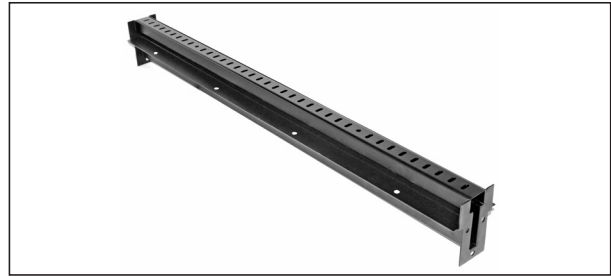
Note: Custom designs are available. Contact MIFAB®

CALIFORNIA PROPOSITION 65 WARNING. This product contains chemicals known to the State of California to cause cancer and birth defects or other reproductive harm.



SPECIFICATION:

MIFAB® Series T5000-158, 1 5/8" wide, 3 7/8" deep, 40" long, (or length as needed), non sloped trench drain system. Body is manufactured from 14 gauge aluminum and has a 1 1/2" wide anchor flange on each side recessed 1 5/8" down from the top. Bodies have flanged ends to connect to each other with a neoprene rubber gasket in between. Grates are manufactured from 14 gauge aluminum and are supplied with grate lockdown hardware for each grate to secure to the body. End and bottom outlets are available in 2" no hub outlet connections and are fabricated as part of the trench drain system. Available with membrane clamps (Suffix -C) as required.



Go to www.mifab.com for the T5000-158 Cross Section detail and specification sheet.

Grates (all 40" long. One grate required per body section)		
Order Guide Suffix	Description	List Price, Per Foot, Add
-A	Aluminum decorative slotted grate - Class A	\$56.50
-AWG	Aluminum wire grate - Class A	\$282.60
-SSDA	Stainless steel, Decorative grate - Class A	\$282.60
-FSGA	Galvanized Steel, fabricated slotted grate - Class A	\$121.00

End caps / Outlets		
Order Guide Suffix	Description	List Price, Each, Add
-PEC	Closed end cap	\$153.00
-PE2	2" no hub end outlet	\$134.00
-PB2	2" no hub bottom outlet	\$134.00

Note: Specify the total length of the T5000-158 trench drain system required along with the type of grates required, number of outlets (specify bottom or end or both) and design of the trench drain system (straight run only or straight runs with corners and turns).

MIFAB®'s Engineering team will produce a sign off drawing illustrating the T5000-158 trench drain system requested for customer sign off and then MIFAB® Customer Service quotation.

Accessories and 45 and 90 Degree Fabrications		
Order Guide Suffix	Description	List Price, Each, Add
-PGLVP	1 1/2" long vandal resistant grate lockdown hardware (1 per body section - for each grate)	\$10.00
Standard	5/16-18 x 2" Zinc Coated Bolts (2 per package) - for grate lockdown	N/C
-SSB	5/16-18 x 2" Stainless Steel Bolts (2 per package) - for grate lockdown	\$54.00
-45	45 Degree Body Section	\$378.00
-90	90 Degree Body Section	\$378.00
-45G	45 Degree aluminum, slotted grate - Class A	\$226.00
-90G	90 Degree aluminum slotted grate - Class A	\$226.00
-CUT	Cutting / per cut - Net Price only	\$178.00 Net Price Only
-TEE	Tee Fabrication	\$378.00
-CF	Cross Fabrication	\$761.00
-C	Membrane clamps (2 - one for each side of the body) with hardware	\$448.00 for a set of two clamps

T5000-158 bodies have a List Price of \$1,078.33 Each body is 40" long	List Price, Each (Body Only) \$1,078.33	List Price, Per Foot (Body Only) \$323.50
---	--	--

PER FOOT PRICE CALCULATION:

Full size bodies:

Divide the above noted List Price (**\$1,078.33**) by length of the body (40") = **\$26.9582** List per inch. (Body only)

\$26.9582 x 12" = \$323.50 List per foot (Body Only)

Standard aluminum grate (40" long):

\$56.50 List per foot. (Grate only)

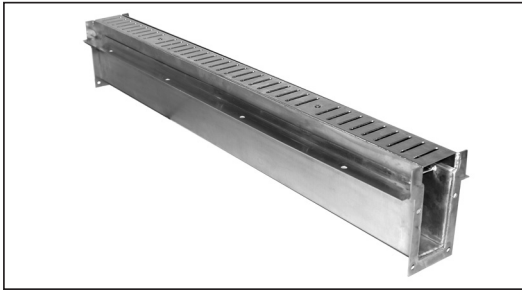
Therefore, a typical T5000-158 trench drain system is **\$380.00 List Price / foot (\$323.50 + \$56.50)**.

This List Price includes the body, one 40" long aluminum grate and two grate lockdown hardware sets.

End caps, outlet connections and all other accessories are extra.

Note: Custom designs are available. Contact MIFAB®

CALIFORNIA PROPOSITION 65 WARNING. This product contains chemicals known to the State of California to cause cancer and birth defects or other reproductive harm.



SPECIFICATION:

MIFAB® Series T5000-300, 3" wide, 5 7/8" deep, 40" long, (or length as needed), non sloped trench drain system. Body is manufactured from 14 gauge aluminum and has a 1 1/2" wide anchor flange on each side recessed 1 5/8" down from the top. Bodies have flanged ends to connect to each other with a neoprene rubber gasket in between. Grates are manufactured from 14 gauge aluminum and are supplied with grate lockdown hardware for each grate to secure to the body. End and bottom outlets are available in 2" no hub outlet connections and are fabricated as part of the trench drain system. Available with membrane clamps (Suffix -C) as required.

Go to www.mifab.com for the T5000-300 Cross Section detail & specification sheet.

Grates (all 40" long. One grate required per body section)		
Order Guide Suffix	Description	List Price, Per Foot, Add
-A	Aluminum decorative slotted grate - Class A	\$93.00
-AWG	Aluminum wire grate - Class A	\$347.00
-SSDA	Aluminum, Decorative grate - Class A	\$300.00
-FSGA	Galvanized Steel, fabricated slotted grate - Class A	\$156.00
End caps / Outlets		
Order Guide Suffix	Description	List Price, Each, Add
-PEC	Closed end cap	\$178.00
-PE2	2" no hub end outlet	\$197.00
-PB2	2" no hub bottom outlet	\$197.00

Note: Specify the total length of the T5000-300 trench drain system required along with the type of grates required, number of outlets (specify bottom or end or both) and design of the trench drain system (straight run only or straight runs with corners and turns).

MIFAB's Engineering team will produce a sign off drawing illustrating the T5000-300 trench drain system requested for customer sign off and then MIFAB® Customer Service quotation.

Accessories and 45 and 90 Degree Fabrications		
Order Guide Suffix	Description	List Price, Each, Add
PGLVP	1 1/2" long vandal resistant grate lockdown hardware (1 per body section - for each grate)	\$10.00
Standard	5/16-18 x 2" Zinc Coated Bolts (2 per package) - for grate lockdown	N/C
-SSB	5/16-18 x 2" Stainless Steel Bolts (2 per package) - for grate lockdown	\$54.00
-45	45 Degree Body Section	\$378.00
-90	90 Degree Body Section	\$378.00
-45G	45 Degree aluminum, slotted grate - Class A	\$226.00
-90G	90 Degree aluminum slotted grate - Class A	\$226.00
-CUT	Cutting / per cut - Net Price only	\$178.00 Net Price Only
-TEE	Tee Fabrication	\$378.00
-CF	Cross Fabrication	\$761.00
-C	Membrane clamps (2 - one for each side of the body)	\$448.00 for a set of two clamps

T5000-300 bodies have a List Price of \$1,303.33 Each body is 40" long	List Price, Each (Body Only) \$1,303.33	List Price, Per Foot (Body Only) \$391.00
--	---	---

PER FOOT PRICE CALCULATION:

Full size bodies:

Divide the above noted List Price (**\$1,303.33**) by length of the body (40") = **\$32.575** List per inch. (Body only)

\$32.575 x 12" = \$391.00 List per foot (Body Only)

Standard aluminum grate (40" long):

\$93.00 List per foot. (Grate only)

Therefore, a typical T5000-300 trench drain system is **\$484.00 List Price / foot (\$391.00 + \$93.00)**.

This List Price includes the body, one 40" long aluminum grate and two grate lockdown hardware sets.

End caps, outlet connections and all other accessories are extra.

Note: Custom designs are available. Contact MIFAB®

CALIFORNIA PROPOSITION 65 WARNING. This product contains chemicals known to the State of California to cause cancer and birth defects or other reproductive harm.



SPECIFICATION:

MIFAB® Series T1400-SD, 39.40" long, 8" deep, 4" internal body width, neutral sloped slot drain system. Body is manufactured from polypropylene. Each body has six tabs, 18" apart, for #3 rebar tie down and leveling. Bodies have flanged ends and a radiused bottom for efficient liquid drainage. Complete with 1/2" wide (ADA compliant) slot opening top assembly for surface drainage. The slot opening top assembly is manufactured from 14 gauge steel and finished with an acid resistant powder epoxy coating. Specify -.250 for 1/4" wide slot opening. Specify -3 for a fabricated Type 304 stainless steel slot opening top assembly. End and bottom outlets are available in 2" no hub connections. Catch basins are also available.



End caps / Outlets / Accessories		
Order Guide Suffix	Description	List Price, Each, Add
-PEC	Closed end cap	\$18.00
-PEO	2" no hub end outlet	\$18.00
-PBO	2" no hub bottom outlet	\$18.00
Accessories and 45 and 90 Degree Fabrications		List Price, Per Foot, Add
-45	45 Degree Body Section	\$42.00
-90	90 Degree Body Section	\$42.00
-250	1/4" wide heel proof slots in top assembly	No Add
-750	3/4" wide heel proof slots in top assembly	No Add
Frame Options		List Price, Per Foot, Add
-3	Type 304 Stainless Steel Frame with 1/2" wide slot	\$119.00
-EXT4	4" High extension to the top slot assembly	\$9.00

T1400-SD	List Price, Per Foot
	\$77.00

Note: Specify the total length of the T1400-SD slot drain system required along with the number of outlets (specify bottom or end or both) and design of the trench drain system (straight run only or straight runs with corners and turns).

MIFAB®'s Engineering team will produce a sign off drawing illustrating the T1400-SD trench drain system requested for customer sign off and then MIFAB® Customer Service quotation.

T1400-SD-12H - 11 3/4" Deep Polypropylene Body Slot Drain with 1/2" ADA Compliant Slot Openings

SPECIFICATION:

MIFAB® Series T1400-SD-12H, 39.40" long, 11 3/4" deep, 4" internal body width, neutral sloped slot drain system. Body is manufactured from polypropylene. Each body has four tabs, 20" apart, for #3 rebar tie down and leveling. Bodies have interlocking ends, a radiused bottom for efficient liquid drainage and have staggered, semi-circular cutouts on each side at the bottom to enable concrete flow underneath the body. Complete with 1/2" wide (ADA compliant) slot opening top assembly for surface drainage. The slot opening top assembly is manufactured from 14 gauge steel and finished with an acid resistant powder epoxy coating. Specify -.250 for 1/4" wide slot opening. Specify -3 for a fabricated Type 304 stainless steel slot opening top assembly. End and bottom outlets are available in 3" and 4" no hub outlet connections. Catch basins are also available.



End caps / Outlets / Accessories		
Order Guide Suffix	Description	List Price, Each, Add
-PEC	Closed end cap	\$20.00
-PEO	Combination 3" or 4" no hub end outlet	\$20.00
-PBO	Combination 3" or 4" no hub bottom outlet	\$18.00
Accessories and 45 and 90 Degree Fabrications		List Price, Per Foot, Add
-250	1/4" wide heel proof slots in top assembly	No Add
-750	3/4" wide heel proof slots in top assembly	No Add
Frame Options		List Price, Per Foot, Add
-3	Type 304 Stainless Steel Frame with 1/2" wide slot	\$119.00
-EXT4	4" High extension to the top slot assembly	\$9.00

T1400-SD-12H	List Price, Per Foot
	\$88.00

Note: Specify the total length of the T1400-SD-12H slot drain system required along with the number of outlets (specify bottom or end or both) and design of the trench drain system (straight run only or straight runs with corners and turns). MIFAB®'s Engineering team will produce a sign off drawing illustrating the T1400-SD-12H trench drain system requested for customer sign off and then MIFAB® Customer Service quotation.

T1400-SD-18H - 17 5/8" Deep Polypropylene Body Slot Drain with 1/2" ADA Compliant Slot Openings

SPECIFICATION:

MIFAB® Series TT1400-SD-18H, 39.40" long, 17 5/8" deep, 4" internal body width, neutral sloped slot drain system. Body is manufactured from polypropylene. Each body has four tabs, 20" apart, for #3 rebar tie down and leveling. Bodies have interlocking ends, a radiused bottom for efficient liquid drainage and have staggered, semi-circular cutouts on each side at the bottom to enable concrete flow underneath the body. Complete with 1/2" wide (ADA compliant) slot opening top assembly for surface drainage. The slot opening top assembly is manufactured from 14 gauge steel and finished with an acid resistant powder epoxy coating. Specify -.250 for 1/4" wide slot opening. Specify -3 for a fabricated Type 304 stainless steel slot opening top assembly. End and bottom outlets are available in 3" & 4" no hub outlet connections. Catch basins are also available.



End caps / Outlets / Accessories		
Order Guide Suffix	Description	List Price, Each, Add
-PEC	Closed end cap	\$25.00
-PEO	Combination 3" or 4" no hub end outlet	\$25.00
-PBO	Combination 3" or 4" no hub bottom outlet	\$18.00
Accessories and 45 and 90 Degree Fabrications		List Price, Per Foot, Add
-250	1/4" wide heel proof slots in top assembly	No Add
-750	3/4" wide heel proof slots in top assembly	No Add
Frame Options		List Price, Per Foot, Add
-3	Type 304 Stainless Steel Frame with 1/2" wide slot	\$119.00
-EXT4	4" High extension to the top slot assembly	\$9.00

T1400-SD-18H	List Price, Per Foot
	\$103.00

Note: Specify the total length of the T1400-SD-18H slot drain system required along with the number of outlets (specify bottom or end or both) and design of the trench drain system (straight run only or straight runs with corners and turns). MIFAB®'s Engineering team will produce a sign off drawing illustrating the T1400-SD-18H trench drain system requested for customer sign off and then MIFAB® Customer Service quotation.

Note: Custom designs are available. Contact MIFAB®

CALIFORNIA PROPOSITION 65 WARNING. This product contains chemicals known to the State of California to cause cancer and birth defects or other reproductive harm.

Design and dimensions are subject to modification. Prices do not include applicable taxes.

Visit www.mifab.com for the most recent product information.

MIFAB®, Inc., 1321 West 119th Street, Chicago, Illinois 60643-5109, USA
All sales subject to MIFAB's® Terms and Warranties. Please refer to inside back cover.

Toll Free: 1-800-465-2736, Fax: 1-773-341-3049
sales@mifab.com Canada Toll Free: 1-800-387-3880



SPECIFICATION:

MIFAB® Series T1400-SD-BRS, 39.40" long, (or length as needed), 16" deep, 4" internal body width, neutral sloped brick slot drain system. Body is manufactured from polypropylene. Each body has six tabs, 18" apart, for #3 rebar tie down and leveling. Bodies have flanged ends and a radiused bottom for efficient liquid drainage. Complete with 3/8" wide (ADA compliant) brick slot opening top assembly for surface drainage. The slot opening top assembly is manufactured from 14 gauge steel and finished with an acid resistant powder epoxy coating. Specify -.250 for 1/4" wide slot opening. Specify -3 for a fabricated Type 304 stainless steel slot opening top assembly. End and bottom outlets are available in 2" no hub outlet connections. Catch basins are also available.

End caps / Outlets / Accessories		
Order Guide Suffix	Description	List Price, Each, Add
-PEC	Includes the T1400-PEC-30 end cap, two pieces of body clips (T1400-CLIP) and one finish cap (T1400-PEFC)	\$18.00
-PE4	Combination 3" or 4" PVC No Hub end outlet	\$18.00
-PB4	Combination 3" or 4" PVC No Hub bottom outlet	\$18.00
Accessories and 45 and 90 Degree Fabrications		
-45	45 Degree Body Section	\$42.00
-90	90 Degree Body Section	\$42.00
-250	1/4" wide heel proof slots in top assembly	No Add
-750	3/4" wide heel proof slots in top assembly	No Add
Frame Options		List Price, Per Foot, Add
-3	Type 304 Stainless Steel Frame with 3/8" wide slot	\$122.00
-EXT4	4" High extension to the top slot assembly	\$10.00

List Price, Per Foot	
T1400-SD-BRS	\$105.00

Note: Specify the total length of the T1400-SD-BRS slot drain system required along with the number of outlets (specify bottom or end or both) and design of the trench drain system (straight run only or straight runs with corners and turns).
MIFAB's Engineering team will produce a sign off drawing illustrating the T1400-SD-BRS trench drain system requested for customer sign off and then MIFAB Customer Service quotation.

Note: Custom designs are available. Contact MIFAB®

CALIFORNIA PROPOSITION 65 WARNING. This product contains chemicals known to the State of California to cause cancer and birth defects or other reproductive harm.

SPECIFICATION:

MIFAB® Series T2000-SD, 39.40" long, 14 1/4" deep, 9.7" internal body width, neutral sloped slot drain system. Body is manufactured from polypropylene. Each body has six tabs for #5 rebar tie down and leveling. Bodies have interlocking ends, a radiused bottom for efficient liquid drainage and have staggered, semi-circular cutouts on each side at the bottom to enable concrete flow underneath the body. Complete with a 1 3/4" wide slot opening top assembly that has spacer bars at 5" intervals to keep the sides of the slot apart. The slot opening top assembly is manufactured from 14 gauge steel and finished with an acid resistant powder epoxy coating. Specify -3 for a fabricated Type 304 stainless steel slot opening top assembly. Specify -HD for a fabricated heavy duty steel slot opening top assembly for dynamic loads. End and bottom outlets are available in 4" and 6" no hub outlet connections. Catch basins are also available.



End caps / Outlets / Accessories		
Order Guide Suffix	Description	List Price, Each, Add
-PEC	Closed end cap	\$155.00
-PEO	Combination 4" or 6" no hub end outlet	\$318.00
-PBO	Combination 4" or 6" no hub bottom outlet	\$318.00
Frame Options		List Price, Per Foot, Add
-3	Type 304 Stainless Steel Frame with 1 3/4" wide slot	\$736.00
-13	Galvanized Steel Frame with 1 3/4" wide slot	\$89.00
-HD	Heavy duty steel 1 3/4" wide slot opening top assembly for dynamic loads.	\$453.00

T2000-SD	List Price, Per Foot
	\$180.00

Note: Specify the total length of the T2000-SD slot drain system required along with the number of outlets (specify bottom or end or both) and design of the trench drain system (straight run only or straight runs with corners and turns).

MIFAB's Engineering team will produce a sign off drawing illustrating the T2000-SD trench drain system requested for customer sign off and then MIFAB® Customer Service quotation.

T2000-SD-21H - 21" Deep, 12" Wide, Polypropylene Body Slot Drain with 1 3/4" Slot Openings

SPECIFICATION:

MIFAB® Series T2000-SD-21H, 39.40" long, 21" deep, 9.7" internal body width, neutral sloped slot drain system. Body is manufactured from polypropylene. Each body has six tabs for #5 rebar tie down and leveling. Bodies have interlocking ends, a radiused bottom for efficient liquid drainage and have staggered, semi-circular cutouts on each side at the bottom to enable concrete flow underneath the body. Complete with a 1 3/4" wide slot opening top assembly that has spacer bars at 5" intervals to keep the sides of the slot apart. The slot opening top assembly is manufactured from 14 gauge steel and finished with an acid resistant powder epoxy coating. Specify -3 for a fabricated Type 304 stainless steel slot opening top assembly. Specify -HD for a fabricated heavy duty steel slot opening top assembly for dynamic loads. End and bottom outlets are available in 4" and 6" no hub outlet connections. Catch basins are also available.



End caps / Outlets / Accessories		
Order Guide Suffix	Description	List Price, Each, Add
-PEC	Closed end cap	\$185.00
-PEO	Combination 4" or 6" no hub end outlet	\$390.00
-PBO	Combination 4" or 6" no hub bottom outlet	\$318.00
Frame Options		List Price, Per Foot, Add
-3	Type 304 Stainless Steel Frame with 1 3/4" wide slot	\$736.00
-13	Galvanized Steel Frame with 1 3/4" wide slot	\$89.00
-HD	Heavy duty steel 1 3/4" wide slot opening top assembly for dynamic loads.	\$623.00

T2000-SD-21H	List Price, Per Foot
	\$200.00

Note: Specify the total length of the T2000-SD-21H slot drain system required along with the number of outlets (specify bottom or end or both) and design of the trench drain system (straight run only or straight runs with corners and turns).

MIFAB's Engineering team will produce a sign off drawing illustrating the T2000-SD-21H trench drain system requested for customer sign off and then MIFAB® Customer Service quotation.

T2000-SD-31H - 31" Deep, 24" Wide, Fabricated Steel Body Slot Drain with 1 3/4" Slot Openings

SPECIFICATION:

MIFAB® Series T2000-SD-31H, 39.40" long, 31" deep, 23" internal body width, neutral sloped slot drain system. Body is manufactured from 14 gauge steel and finished with an acid resistant powder epoxy coating. Each body has six tabs for #5 rebar tie down and leveling. Bodies have flanged ends to connect to each other with a neoprene rubber gasket in between. Complete with a 1 3/4" wide slot opening top assembly that has spacer bars at 5" intervals to keep the sides of the slot apart. The slot opening top assembly is manufactured from 14 gauge steel and finished with an acid resistant powder epoxy coating. Specify -3 for a fabricated Type 304 stainless steel slot opening top assembly. Specify -HD for a fabricated heavy duty steel slot opening top assembly for dynamic loads. End and bottom outlets are available in 4" and 6" no hub outlet connections and are fabricated as part of the slot drain system. Catch basins are also available.



End caps / Outlets / Accessories		
Order Guide Suffix	Description	List Price, Each, Add
-PEC	Closed end cap	\$231.00
-PEO	Combination 4" or 6" no hub end outlet	\$510.00
Frame Options		List Price, Per Foot, Add
-3	Type 304 Stainless Steel Frame with 1 3/4" wide slot	\$962.00
-13	Galvanized Steel Frame with 1 3/4" wide slot	\$89.00
-HD	Heavy duty steel 1 3/4" wide slot opening top assembly for dynamic loads.	\$849.00

T2000-SD-31H	List Price, Per Foot
	\$282.00

Note: Specify the total length of the T2000-SD-31H slot drain system required along with the number of outlets (specify bottom or end or both) and design of the trench drain system (straight run only or straight runs with corners and turns).

MIFAB's Engineering team will produce a sign off drawing illustrating the T2000-SD-31H trench drain system requested for customer sign off and then MIFAB® Customer Service quotation.

Note: Custom designs are available. Contact MIFAB®

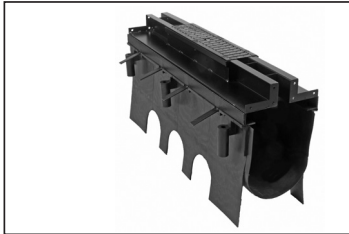
CALIFORNIA PROPOSITION 65 WARNING. This product contains chemicals known to the State of California to cause cancer and birth defects or other reproductive harm.

Design and dimensions are subject to modification. Prices do not include applicable taxes.

Visit www.mifab.com for the most recent product information.

MIFAB®, Inc., 1321 West 119th Street, Chicago, Illinois 60643-5109, USA
All sales subject to MIFAB's® Terms and Warranties. Please refer to inside back cover.

Toll Free: 1-800-465-2736, Fax: 1-773-341-3049
sales@mifab.com Canada Toll Free: 1-800-387-3880



T2000-SD-CO - polypropylene body with fabricated steel slot drain top assembly and T1400-PG-4 ductile iron grate	List Price, Per Foot
	\$890.00

Note: Specify the number of outlets of the T2000-SD-CO (specify bottom or end or both).

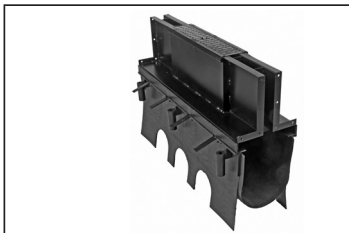
MIFAB's Engineering team will produce a sign off drawing illustrating the T2000-SD-CO trench drain system requested for customer sign off and then MIFAB® Customer Service quotation.

SPECIFICATION:

MIFAB® Series T2000-SD-CO, 39.40" long, 12" wide and 14 1/4" deep slot drain with cleanout port. Body is manufactured from polypropylene. Each body has three tabs for #5 rebar tie down and leveling. Bodies have interlocking ends, a radiused bottom for efficient liquid drainage and have staggered, semi-circular cutouts on each side at the bottom to enable concrete flow underneath the body. Grates are 6" wide and available in ductile iron, galvanized steel, stainless steel and plastic along with grate lockdown hardware for each grate to secure to the body. These grates are available in Class A, B, C, D and E along with ADA compliance (see page 24). The slot opening top assembly is manufactured from 14 gauge steel and finished with an acid resistant powder epoxy coating. Specify -3 for a fabricated Type 304 stainless steel slot opening top assembly. Specify -HD for a fabricated heavy duty steel slot opening top assembly for dynamic loads. End and bottom outlets are available in 4" or 6" no hub outlet connections. Catch basins are also available.

End caps / Outlets / Accessories		
Order Guide Suffix	Description	List Price, Each, Add
-PEC	Closed end cap	\$155.00
-PEO	Combination 4" or 6" no hub end outlet	\$318.00
-PBO	Combination 4" or 6" no hub bottom outlet	\$318.00
Frame Options		List Price, Per Foot, Add
-3	Type 304 Stainless Steel Frame with 1 3/4" wide slot & T1400-PGV-4-3 ductile iron grate with stainless steel veneer	\$1,130.00
-13	Galvanized Steel Frame with 1 3/4" wide slot and T1400-PG-4-13 ductile iron galvanized grate	\$357.00
-HP-4	Steel Frame with 1 3/4" wide slot and T1400-PG-HP-4 ductile iron heel proof grate	\$256.00
-HP-4-13	Steel Frame with 1 3/4" wide slot & T1400-PG-HP-4-13 ductile iron heel proof galvanized grate	\$357.00
-HD	Heavy duty steel 1 3/4" wide slot opening top assembly for dynamic loads with T1400-PG-4 ductile iron grate	\$565.00

T2000-SD-21H-CO - 21" Deep, 12" Wide, Polypropylene Body Slot Drain Cleanout Port with 6" Wide Grate



T2000-SD-21H-CO - polypropylene body with fabricated steel slot drain top assembly and T1400-PG-4 ductile iron grate	List Price, Per Foot
	\$890.00

Note: Note: Specify the number of outlets of the T2000-SD-21H-CO (specify bottom or end or both).

MIFAB's Engineering team will produce a sign off drawing illustrating the T2000-SD-21H-CO trench drain system requested for customer sign off and then MIFAB® Customer Service quotation.

SPECIFICATION:

MIFAB® Series T2000-SD-21H-CO, 39.40" long, 12" wide and 21" deep slot drain with cleanout port. Body is manufactured from polypropylene. Each body has three tabs for #5 rebar tie down and leveling. Bodies have interlocking ends, a radiused bottom for efficient liquid drainage and have staggered, semi-circular cutouts on each side at the bottom to enable concrete flow underneath the body. Grates are 6" wide and available in ductile iron, galvanized steel, stainless steel and plastic along with grate lockdown hardware for each grate to secure to the body. These grates are available in Class A, B, C, D and E along with ADA compliance (see page 24). The slot opening top assembly is manufactured from 14 gauge steel and finished with an acid resistant powder epoxy coating. Specify -3 for a fabricated Type 304 stainless steel slot opening top assembly. Specify -HD for a fabricated heavy duty steel slot opening top assembly for dynamic loads. End and bottom outlets are available in 4" and 6" no hub outlet connections. Catch basins are also available.

End caps / Outlets / Accessories		
Order Guide Suffix	Description	List Price, Each, Add
-PEC	Closed end cap	\$185.00
-PEO	Combination 4" or 6" no hub end outlet	\$387.00
-PBO	Combination 4" or 6" no hub bottom outlet	\$320.00
Frame Options		List Price, Per Foot, Add
-3	Type 304 Stainless Steel Frame with 1 3/4" wide slot and T1400-PGV-4-3 ductile iron grate with stainless steel veneer	\$1,582.00
-13	Galvanized Steel Frame with 1 3/4" wide slot and T1400-PG-4-13 ductile iron galvanized grate	\$357.00
-HP-4	Steel Frame with 1 3/4" wide slot and T1400-PG-HP-4 ductile iron heel proof grate	\$256.00
-HP-4-13	Steel Frame with 1 3/4" wide slot and T1400-PG-HP-4-13 ductile iron heel proof galvanized grate	\$357.00
-HD	Heavy duty steel 1 3/4" wide slot opening top assembly for dynamic loads with T1400-PG-4 ductile iron grate	\$791.00

T2000-SD-31H-CO - 31" Deep, 24" Wide, Polypropylene Body Slot Drain Cleanout Port with 6" Wide Grate



T2000-SD-31H-CO - polypropylene body with fabricated steel slot drain top assembly and T1400-PG-4 ductile iron grate	List Price, Per Foot
	\$1,525.00

Note: Specify the number of outlets of the T2000-SD-31H-CO (specify bottom or end or both).

MIFAB's Engineering team will produce a sign off drawing illustrating the T2000-SD-31H-CO trench drain system requested for customer sign off and then MIFAB® Customer Service quotation.

Note: Custom designs are available. Contact MIFAB®

SPECIFICATION:

MIFAB® Series T2000-SD-31H-CO, 39.4" long, 24" wide and 31" deep slot drain cleanout port. Body is manufactured from 14 gauge steel and finished with an acid resistant powder epoxy coating. Each body has three tabs for #5 rebar tie down and leveling. Bodies have flanged ends to connect to each other with a neoprene rubber gasket in between. Grates are 6" wide and available in ductile iron, galvanized steel, stainless steel and plastic along with grate lockdown hardware for each grate to secure to the body. These grates are available in Class A, B, C, D and E along with ADA compliance (see page 24). The slot opening top assembly is manufactured from 14 gauge steel and finished with an acid resistant powder epoxy coating. Specify -3 for a fabricated Type 304 stainless steel slot opening top assembly. Specify -HD for a fabricated heavy duty steel slot opening top assembly for dynamic loads. End and bottom outlets are available in 4" or 6" no hub outlet connections and are fabricated as part of the slot drain system. Catch basins are also available.

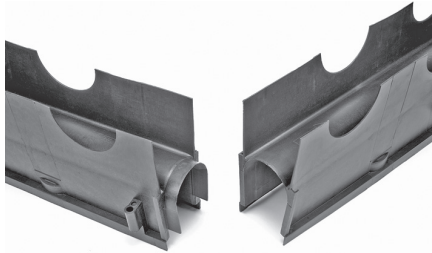
End caps / Outlets / Accessories		
Order Guide Suffix	Description	List Price, Each, Add
-PEC	Closed end cap	\$231.00
-PEO	Combination 4" or 6" no hub end outlet	\$511.00
Frame Options		List Price, Per Foot, Add
-3	Type 304 Stainless Steel Frame with 1 3/4" wide slot & T1400-PGV-4-3 ductile iron grate with stainless steel veneer	\$2,034.00
-13	Galvanized Steel Frame with 1 3/4" wide slot and T1400-PG-4-13 ductile iron galvanized grate	\$357.00
-HP-4	Steel Frame with 1 3/4" wide slot and T1400-PG-HP-4 ductile iron heel proof grate	\$256.00
-HP-4-13	Steel Frame with 1 3/4" wide slot and T1400-PG-HP-4-13 ductile iron heel proof galvanized grate	\$357.00
-HD	Heavy duty steel 1 3/4" wide slot opening top assembly for dynamic loads with T1400-PG-4 ductile iron grate	\$1,130.00

CALIFORNIA PROPOSITION 65 WARNING. This product contains chemicals known to the State of California to cause cancer and birth defects or other reproductive harm.

T1400 ASSEMBLY INSTRUCTIONS

T1400 ASSEMBLY NOTES:

1. Start trench layout from lowest point to highest point of area. The section containing the outlet will be your starting channel.
2. Determine drainage channel run length.
3. Determine type of slope necessary - continuous, stepped, or neutral.
4. Continuous fall (slope) in one direction over 15 meters will require a stepped fall.
5. Stepped fall is achieved by using a series of neutral channel sections interspersed with sloped channel sections (i.e. T1400N, T1401, T1402, T1403, T1404, T1405, T1405N, T1406 . . . T1410, T1410N).



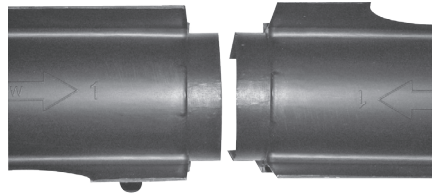
CHANNEL ASSEMBLY:

All 19 channels have the same exterior profile. The channels are all tongue and recess to allow for an easy fit with the next sequenced channel either upstream or downstream. Follow the flow arrows on the bottom of each channel and reference each channel number to stay in sequence. Apply the required sealant to the tongue and recessed areas of each channel before mating them together.



STARTING END CAP ASSEMBLY:

Starting end cap outlets are fastened to any channel upstream end with our mechanical Quick Clip. Simply cut the end caps to appropriate channel height and position on channel **making sure to cut end low enough to accommodate Top Finish Cap**. Clip together by sliding the Quick Clips over the mounting brackets. Apply appropriate sealant on tongue and recessed areas.



Connecting two channels (same part number for male to male and/or female to female connections):

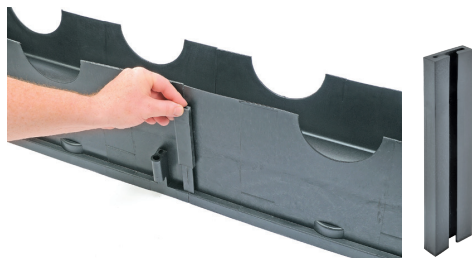
CENTER OUTLET CONFIGURATION: Connect two of the same part body numbers for center bottom outlet configuration by cutting off the male tongue (downstream end) from each channel, clip together and apply appropriate sealant in joint area. Install bottom outlet per instructions.

UPSTREAM CONNECTION: Clip two female ends (upstream end) together, apply appropriate sealant in joint area. Channels for both upstream and downstream connections need to be same part body number. Neutral channels are recommended for these connections.



BOTTOM OUTLETS:

Bottom outlets can be installed on any channel. Simply locate the lowest point on the presloped channel, mark the hole and drill out with 3" hole saw. We recommend using self-tapping screws for mounting along with a sealant. The bottom outlet has bosses that flush out against the channel legs to tap into.



The Quick Clip (inset) performs a mechanical lock to secure each channel together. Each channel provides a slide groove that matches up with the attaching channel allowing the Quick Clip to lock the channels together. (The Quick Clip is also used on the End Caps).



BOTTOM OUTLET ASSEMBLY: Once you have positioned the outlet, use 1/2" self-tapping screws. The outlets have bosses that flush out against the channel walls/feet. Tap screws through the outside of the wall into the boss areas on each side of the outlet.

CALIFORNIA PROPOSITION 65 WARNING. This product contains chemicals known to the State of California to cause cancer and birth defects or other reproductive harm.

T1400 ASSEMBLY INSTRUCTIONS



END CAP ASSEMBLIES:

To cut end caps to appropriate heights, select appropriate starting and ending channels by laying out the run. Starting end caps will be assembled on the most upstream channel, while the ending end cap outlet will be assembled on the most downstream channel.



FINISH CAP ASSEMBLY:

Ending and starting end caps are fitted with Finish Caps (black caps) after cutting end caps to appropriate channel heights. Finish Caps can fit multiple positions by simply cutting the appropriate tab on the Finish Cap. Solvent weld the PVC Finish Cap to the PVC End Cap.



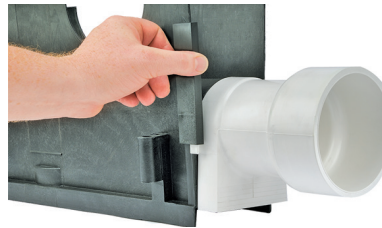
END CAP CUTTING:

After appropriate measurements are completed, mark across the face of the end caps. Cut lines are visible on each end cap to help with straight cut to allow for appropriate fit of Finish Cap. Cut along appropriate line with saw.



END CAPS MEASURING:

To measure for end cap fit, slide end cap into tongue and recess portion of the channel the end cap is being assembled to. Mark the end cap level with the grate ledge.

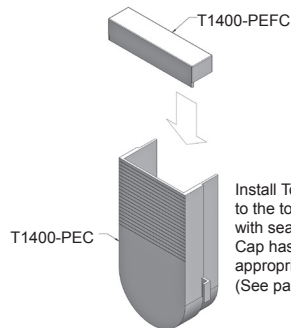


END CAP OUTLET ASSEMBLY:

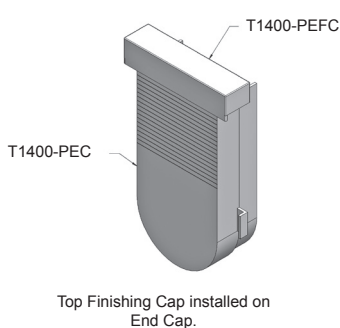
End cap outlets are fastened to any channel downstream end with our mechanical Quick Clip. Simply cut the end caps to appropriate channel height and position on channel making sure to cut low

enough to accommodate the top Finish Cap. Clip together by sliding the Quick Clip over the mounting brackets. Apply appropriate sealant on tongue and recessed areas.

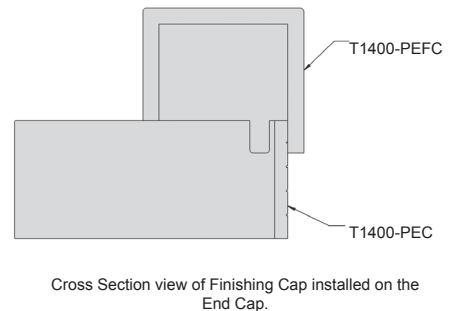
T1400 TRENCH DRAIN END CAP ASSEMBLY



Install Top Finishing Cap to the top of the End Cap with sealant after the End Cap has been cut to the appropriate height. (See page 45)



Top Finishing Cap installed on End Cap.



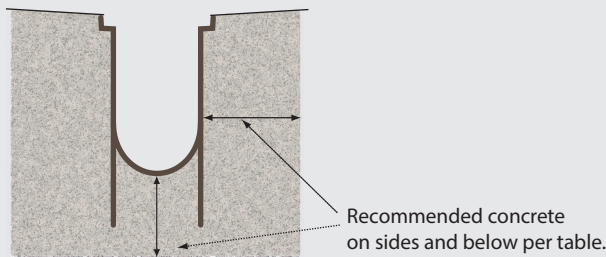
Cross Section view of Finishing Cap installed on the End Cap.

RECOMMENDED CONCRETE PLAN - T1400

GENERAL NOTES ON INSTALLATION:

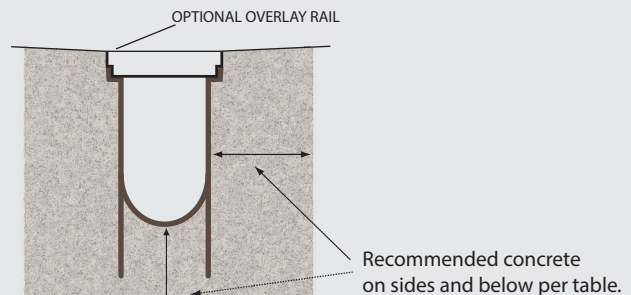
- Concrete to have minimum 28 day compressive strength of 3,000 PSI.
- Insert lock-down bars prior to pour.
- Concrete to be vibrated in place to eliminate entrapped air on all sides and bottom.
- T1400 channels to be anchored via rebar to prevent flotation.
- Concrete to cure at least 24 hours prior to form removal.
- If required, install waterstops per manufacturer's instructions at least 3 inches below concrete surface.
- Waterstops and elastomeric joint sealants to be inspected and repaired on a regular basis.

LIGHT AND MEDIUM DUTY



Use Light or Medium (DIN A, C) duty grates.

HEAVY AND SPECIAL DUTY



Use Medium or Special (DIN C, E) duty grates. Overlay Rail required for special duty. If used for special duty, grate must be secured to Overlay Rail by bolts at each corner.

CALIFORNIA PROPOSITION 65 WARNING. This product contains chemicals known to the State of California to cause cancer and birth defects or other reproductive harm.

T2000 ASSEMBLY INSTRUCTIONS

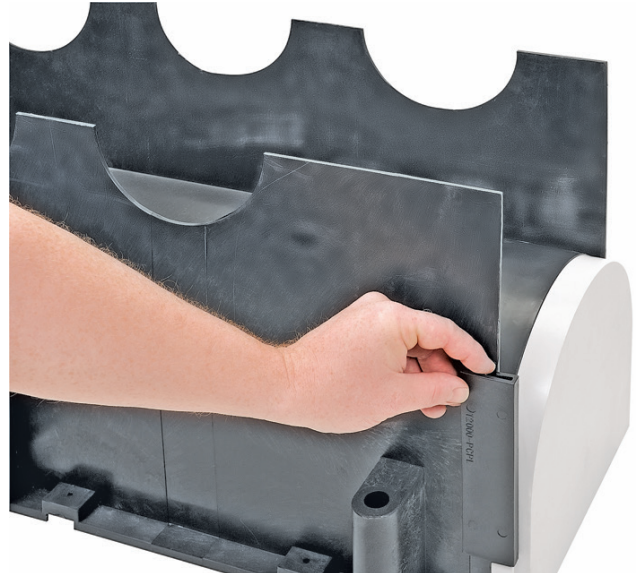
T2000 ASSEMBLY NOTES:

Layout run in sequential order. Identify starting upstream and ending downstream channels and assemble starting end cap(s) SC and outlet end cap(s) OC.



MEASURING END CAP:

Insert starting end cap on most upstream channel. Mark SC to top of frame and adjust down 1/4" for cut line (allows for 1/4" height of finish cap FC).



STARTING END CAP (SC) ASSEMBLY:

Cut SC and apply appropriate sealant on tongue and recess area. Use Quick Clip to clip starting end cap to channel.



OUTLET END CAP (OC) ASSEMBLY:

Fix OC to downstream channel tongue. Mark OC to top of frame and adjust down 1/4" for cut line (allows 1/4" height of finish cap FC). Cut OC and apply appropriate sealant to tongue area and assemble OC to channel with Quick Clip.



FINISH CAP ASSEMBLY:

After cutting end caps to appropriate height, place Finish Cap onto end cap and screw steel Finish Cap to PVC Starting End Cap and Outlet End Cap(s).

CALIFORNIA PROPOSITION 65 WARNING. This product contains chemicals known to the State of California to cause cancer and birth defects or other reproductive harm.

Design and dimensions are subject to modification. Prices do not include applicable taxes.

Visit www.mifab.com for the most recent product information.

MIFAB[®], Inc., 1321 West 119th Street, Chicago, Illinois 60643-5109, USA
All sales subject to MIFAB's[®] Terms and Warranties. Please refer to inside back cover.

Toll Free: 1-800-465-2736, Fax: 1-773-341-3049
sales@mifab.com Canada Toll Free: 1-800-387-3880

T2000 ASSEMBLY INSTRUCTIONS

T2000 ASSEMBLY NOTES:

Layout run in sequential order. Identify starting upstream and ending downstream channels and assemble starting end cap(s) SC and outlet end cap(s) OC.



BOTTOM OUTLET PIPE (BO) ASSEMBLY:

Position bottom outlet on appropriate channel. Mark position and cut hole with 4" or 6" hole saw. Screw through channel skirt into boss area on BO to secure during pour. Apply appropriate sealant around hole and saddle area of BO.



ASSEMBLE CHANNELS:

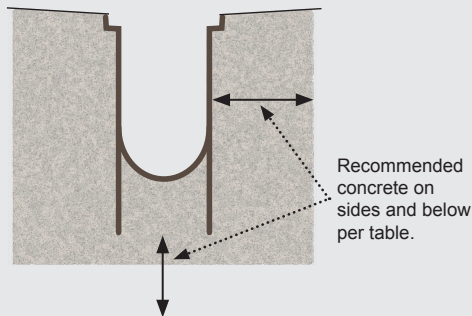
Layout with channel number visible upon completion of end cap assembly, begin assembling channels in sequential order. Apply appropriate sealant on tongue areas and clip channels together with Quick Clips. Once completed, move system into trench and stake with number 5 rebar or 5/8" all thread and level.

RECOMMENDED CONCRETE PLAN - T2000 SERIES

GENERAL NOTES ON INSTALLATION:

General installation requires frames to be in place and assembled in channels before/during cement pour. Defer to project engineer for any special requirements for channel installation. Diagram is for general purpose installations only.

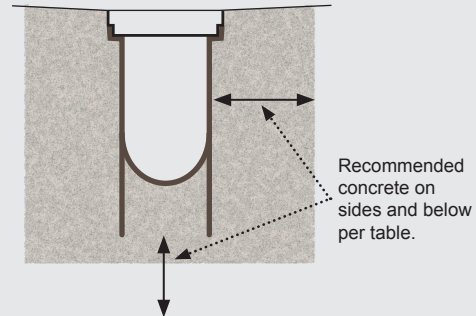
LIGHT AND MEDIUM DUTY — CLASS A-C



Standard duty grates

LOAD CLASS	CONCRETE THICKNESS
A	3.1"
B	3.9"
C	6.0"

HEAVY AND SPECIAL DUTY — CLASS D-F



Heavy duty grates

LOAD CLASS	CONCRETE THICKNESS
D	8.0"
E	8.0"-10.0"
F	12.0"

CALIFORNIA PROPOSITION 65 WARNING. This product contains chemicals known to the State of California to cause cancer and birth defects or other reproductive harm.

CROSS REFERENCE GUIDE

ZURN	PAGE NO.	MIFAB®
Z706	(page 29)	T1100-F
Z712	(page 29)	T1200-F
Z717	(page 30)	T2170-F
Z723	(page 31)	T2400-F
Z726	(page 32)	T2600-F
Z806	(page 1, 2, 24, 25, 44, 45)	T1400
ZF806	(page 1, 2, 24, 25, 44, 45)	T1400
Z812	(page 7, 8, 36, 37)	T2000
ZF812	(page 7, 8, 36, 37)	T2000
Z817 - 6" x 20"	(page 24, 25, 33, 34, 35)	T1400-CB620
Z817 - 12" x 24"	(page 26, 36, 37, 40)	T2000-CB1224
Z817 - 24" x 24"	(page 26)	T2000-CB2424
ZF817 - 6" x 20"	(page 24, 25, 33, 34, 35)	T1400-CB620
ZF817 - 12" x 24"	(page 26, 36, 37, 40)	T2000-CB1224
ZF817 - 24" x 24"	(page 26)	T2000-CB2424
Z874-12	(page 21, 38)	T2170
Z874-18	(page 22, 38)	T2400
Z874-21	(page 23, 39)	T2600
Z874-U-XX-LDRA	(page 41)	T4000-HDSC
Z874-U-XX-LDRS	(page 41)	T4000-HDSC
Z874-U-XX-HD	(page 41)	T4000-HDSC

ZURN	PAGE NO.	MIFAB®
Z880	(page 9)	T250
ZA880-156	(page 42)	T5000-158
ZA880-300A	(page 43)	T5000-300
ZA880-300B	(page 43)	T5000-300
ZA880-340	(page 43)	T5000-300
Z882	(page 7, 8, 36, 37)	T2000
Z883	(page 11, 12, 33, 34, 35)	T300
Z884	(page 10, 39)	T275
Z886	(page 1, 2, 24, 25, 44, 45)	T1400
Z887 - 6" x 20"	(page 24, 25, 33, 34, 35)	T1400-CB620
Z887 - 12" x 24"	(page 26, 36, 37, 40)	T2000-CB1224
Z887 - 24" x 24"	(page 26)	T2000-CB2424
Z888-4	(page 44)	T1400-SD
Z888-6	(page 44)	T1400-SD-12H
Z888-8	(page 44)	T1400-SD-18H
Z888-12	(page 46)	T2000-SD
Z888-18	(page 46)	T2000-SD-21H
Z888-36	(page 46)	T2000-SD-31H
Z889-12	(page 47)	T2000-SD-CO
Z889-18	(page 47)	T2000-SD-21H-CO
Z889-36	(page 47)	T2000-SD-CO

CALIFORNIA PROPOSITION 65 WARNING. This product contains chemicals known to the State of California to cause cancer and birth defects or other reproductive harm.

Design and dimensions are subject to modification. Prices do not include applicable taxes.

Visit www.mifab.com for the most recent product information.

MIFAB®, Inc., 1321 West 119th Street, Chicago, Illinois 60643-5109, USA
 All sales subject to MIFAB's® Terms and Warranties. Please refer to inside back cover.

Toll Free: 1-800-465-2736, Fax: 1-773-341-3049
 sales@mifab.com Canada Toll Free: 1-800-387-3880

T1400 Order Guide

- Step 1** Sketch the general layout of the trench drain system on the page provided in the MIFAB Trench Drain order guide packet. Indicate the total length, direction of flow(s), location of outlet(s), and location of catch basin(s) (if required).
- Step 2** Determine if the heavy duty, steel, angle iron, one meter frame is required. If no, then start the trench drain model number with T1400. If a frame is needed, then start the trench drain model number with T1400-HD (see page 2 of the TD-2015 Trench Drain Systems Booklet for the other frame options).
- Step 3** Determine the total length in feet of the trench drain system (not counting the catch basin(s)) and round up the total length to the next complete body size. Each body section is 39.40" long. A 19' section will require 6 bodies. Example, if 19' is required with a steel frame, the model number so far is T1400-HD-6SEC. 6SEC indicates that a total of six bodies are required.
- Step 4** Determine the number of outlets and whether they are bottom or end outlets. –PE04-30 is a combination 3" or 4" PVC No Hub end outlet and –PB04-30 is a combination 3" or 4" PVC No Hub bottom outlet. Example, one 4" bottom outlet connection is required. Therefore, the model number so far is T1400-HD-6SEC-PB4. If two 4" bottom outlets are required, the model number would be T1400-HD-6SEC-PB42.
- Step 5** Determine the type of grates required (see pages 33, 34 and 35 of the TD-2015 Trench Drain Systems Booklet for the other grate options). For example, if a regular slotted ductile iron grate is required, the model number would be T1400-HD-6SEC-PB4-4.
- Step 6** Determine if a 6" wide x 20" long catch basin is required. If yes, the suffix is –CB. Therefore, the model number would be T1400-HD-6SEC-PB4-4-CB.
- Step 7** Please use T1400-(then your purchase order #) to order the T1400-HD-6SEC-PB4-4-CB. For example, the PO would read T1400-1234 and it would reference MIFAB model # T1400-HD-6SEC-PB4-4-CB.

Note: Each T1400 polypropylene body is shipped standard with the T1400–PBRD support board, two pieces of the T1400-CLIP (body connecting clips) and two pieces of the T1400-PGL-STL grate lockdown hardware. If any other options are required (bottom dome strainer (-PBDS) for example, then add the suffix –PBDS to the model number.

CALIFORNIA PROPOSITION 65 WARNING. This product contains chemicals known to the State of California to cause cancer and birth defects or other reproductive harm.

T2000 Order Guide

- Step 1** Sketch the general layout of the trench drain system on the page provided in the MIFAB Trench Drain order guide packet. Indicate the total length, direction of flow(s), location of outlet(s), and location of catch basin(s) (if required).
- Step 2** A heavy duty, steel, angle iron, one meter frame is standard with all MIFAB T2000 trench drain systems. Other frame options are acid resistant epoxy coated (-11), galvanized (-13), stainless steel (-3) or PVC sidewall (-SW). Therefore, if a standard heavy duty, steel, angle iron, one meter frame is required, the model number would be T2000
- Step 3** Determine the total length in feet of the trench drain system (not counting the catch basin(s)) and round up the total length to the next complete body size. Each body section is 39.40" long. A 19' section will require 6 bodies. Example, if 19' is required, the model number so far is T2000-6SEC. 6SEC indicates that a total of six bodies are required.
- Step 4** Determine the number of outlets and whether they are bottom or end outlets. –PE04 is a combination 3" or 4" PVC No Hub end outlet and –PB04 is a combination 3" or 4" PVC No Hub bottom outlet. Example, one 4" end outlet connection is required. Therefore, the model number so far is T2000-6SEC-PE4. If two 4" end outlets are required, the model number would be T2000-6SEC-PE4.
- Step 5** Determine the type of grates required (see pages 36 and 37 of the TD-2015 Trench Drain Systems Booklet for the other grate options). For example, if a regular slotted ductile iron grate is required (Load Class C), the model number would be T2000-6SEC-PE4-4.
- Step 6** Determine if a 12" wide x 24" long catch basin (-CB12) or a 24" x 24" catch basin (-CB24) is required. If the 12" x 24" catch basin is required, the suffix is –CB12. Therefore, the model number would be T2000-6SEC-PE4-4-CB12.
- Step 7** Please use T2000-(then your purchase order #) to order the T2000-6SEC-PE4-4-CB12. For example, the PO would read T2000-1234 and it would reference MIFAB model # T2000-6SEC-PE4-4-CB12.

Note: Each T2000 polypropylene body is shipped standard with a heavy duty, steel, angle iron, one meter frame, two pieces of the T2000-CLIP (body connecting clips) and eight pieces of the H-1151 bolts to connect the grates to the frame. If any other options are required (bottom dome strainer (-PBDS) for example, then add the suffix –PBDS to the model number.

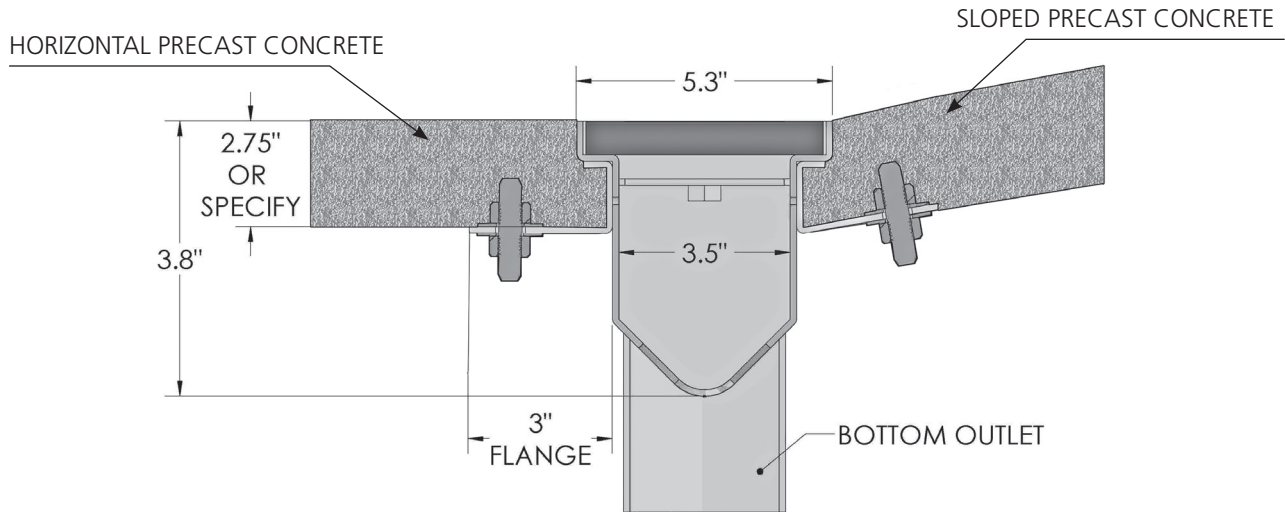
CALIFORNIA PROPOSITION 65 WARNING. This product contains chemicals known to the State of California to cause cancer and birth defects or other reproductive harm.

T1330-FL-FAB and T1330-FL-FAB-TH

The T1330-FL-FAB and T1330-FL-FAB-TH (6" wide) is ideal for use in parking garages where the sloped and horizontal precast concrete sections meet. The extra wide 3" anchor flange is designed to install over a cut out in the precast concrete slabs. The depth from the anchor flange to the top of the drain allows for concrete to secure the T1330-FL-FAB and T1330-FL-FAB-TH to the precast concrete slab.

The anchor flanges (one or both) can be manufactured in MIFAB's Chicago, Illinois factory to be angled to any degree to meet the adjoining precast concrete slab.

The T1330-FL-FAB and T1330-FL-FAB-TH is a bid time saver for contractors because it is easily and quickly installed between two precast concrete slabs.

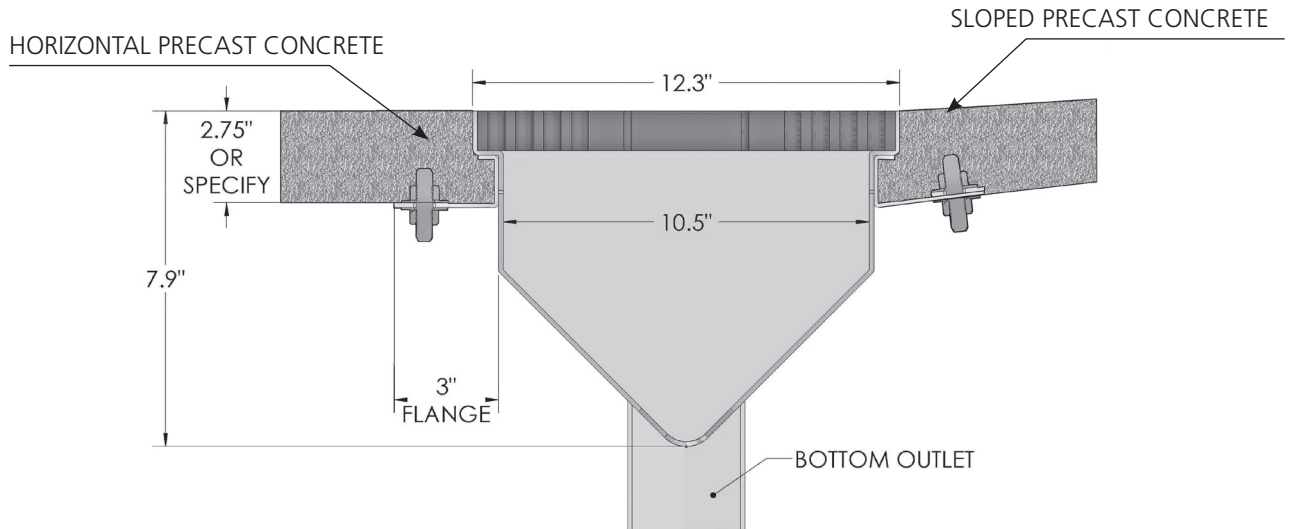


T1360-FL-FAB and T1360-FL-FAB-TH

The T1360-FL-FAB and T1360-FL-FAB-TH (12" wide) is ideal for use in parking garages where the sloped and horizontal precast concrete sections meet. The extra wide 3" anchor flange is designed to install over a cut out in the precast concrete slabs. The depth from the anchor flange to the top of the drain allows for concrete to secure the T1360-FL-FAB and T1360-FL-FAB-TH to the precast concrete slab.

The anchor flanges (one or both) can be manufactured in MIFAB's Chicago, Illinois factory to be angled to any degree to meet the adjoining precast concrete slab.






The T1360-FL-FAB and T1360-FL-FAB-TH is a bid time saver for contractors because it is easily and quickly installed between two precast concrete slabs.









CALIFORNIA PROPOSITION 65 WARNING. This product contains chemicals known to the State of California to cause cancer and birth defects or other reproductive harm.

Grate Load Class Definitions

There are two main grate definitions in the trench drain industry to help specifiers select the appropriate grate: ANSI A112.21.1M and DIN 19580.

ANSI A112.21.1M		
Grates and top rims shall be designed to meet the following loading classifications in a static condition.		
	Light Duty	All grates having safe live load (as calculated in paragraph 6.1.6 of the ANSI Standard) under 2,000 lbs. (900 kg.) For pedestrian foot traffic only.
	Medium Duty	All grates having safe live load (as calculated in paragraph 6.1.6 of the ANSI Standard) between 2,000 lbs. (900 kg.) and 4,999 lbs. (2,250 kg.) For light pneumatic tire traffic only. Sidewalks and residential parking.
	Heavy Duty	All grates having safe live load (as calculated in paragraph 6.1.6 of the ANSI Standard) between 5,000 lbs. (2,250 kg.) and 7,499 lbs. (3,375 kg.) For Commercial Pneumatic tire traffic patterns and tractor trailers.
	Extra Heavy Duty	All grates having safe live load (as calculated in paragraph 6.1.6 of the ANSI Standard) between 7,500 lbs. (3,375 kg.) and 10,000 lbs. (4,500 kg.) For forklift traffic. Roads and Highways. H-20 Load Rated.
	Special Duty	All grates having safe live load (as calculated in paragraph 6.1.6 of the ANSI Standard) over 10,000 lbs. (4,500 kg.) For airport traffic.

DIN 19580		
Grates and top rims shall be designed to meet the following loading classifications in a static condition.		
	Load Class A	Light Duty Grate design load up to or exceeding 3,372 lbs per foot. (15 kn). For pedestrian foot traffic only.
	Load Class B	Medium Duty Grate design load of at least 28,100 lbs per foot. (125 kn). For light pneumatic tire traffic only. Sidewalks and residential parking.
	Load Class C	Heavy Duty Grate design load of at least 56,200 lbs per foot. (250 kn). Commercial Applications.
	Load Class D	Grate design load of at least 89,920 lbs per foot. (400 kn). For pneumatic forklift traffic. Extra Heavy Duty. Roads and Highways. H-20 Load Rated.
	Load Class E	Grate design load of at least 134,800 lbs per foot. (600 kn). For Commercial Solid tire traffic patterns, and impacts from steel struts or metal wheels (forklifts). Extreme Heavy Duty.
	Load Class F	Grate design load of at least 202,320 lbs per foot. (900 kn). For airport traffic.

Transportation Classifications

The American Association of State Highway and Transportation Officials' (AASHTO) "Standard Specification for Highway Bridges" defines H-20 loading as a two-axle truck with a maximum dual-wheel load of 16,000 lbs. **HS-20 loading is defined as a tractor truck with a tandem axle semi-trailer with a dual-wheel load of 16,000 lbs.**

The FAA (Federal Aviation Administration) Advisory Circular AC 150/5320-6D describes aircraft loading as 100,000 lbs. placed over a 9" x 9" area.

The Americans with Disabilities Act (ADA) stipulates that the slot width be limited to 1/2" or less on gratings in walkways and elongated slots must be placed longitudinally so that they are perpendicular to the dominant direction of travel.

Heel Proof is defined as slots or perforations that are less than 1/4" in width or diameter.

The maximum safe live load is calculated by dividing the load at failure by two.

CALIFORNIA PROPOSITION 65 WARNING. This product contains chemicals known to the State of California to cause cancer and birth defects or other reproductive harm.

Neutral Sloped Trench Drain Flow Rates vs. Sloped Trench Drain Flow Rates

It has been the custom in the United States and Canada to specify trench drain systems that have presloped bodies – under the assumption that presloped trench drains will provide a greater flow of water due to the sloped sections. Like many things in today's world, this custom has been accepted as the common practice. In contrast, for decades, specifiers in Europe specify neutral sloped trench drain systems as their standard design. This is because neutral trench drain systems perform just as well (if not better) than sloped trench drain systems.

The advantages for the specifier, building owner, contractor and wholesaler to use neutral sloped trench drain systems are:

1. Faster delivery to the jobsite as fewer sizes of trench drain bodies are needed.
2. No chance of installing the incorrect trench drain body in the proper numerical sloped order of the system.
3. Faster installation preparation because one size trench drain body does not require complicated site organization.
4. Faster installation due to same height of the trench drain body. Often, sloped trench drain bodies are mixed on a pallet - requiring time to sort and identify them. This is not the case with neutral sloped bodies.
5. Increased flexibility, because the contractor can easily increase the number of neutral sloped trench drain bodies in order to be have extensions or replacements. This is not possible with sloped trench drain bodies.
6. Lower overall cost to the building owner.

The flow rate of a trench drain is affected by three main factors: height of the bodies, width of the bodies and length of the run. Trench drain bodies with a greater height (assuming the width is the same) have more volume capacity and therefore a greater flow rate because the head pressure is greater when the water height is higher. Trench drain bodies that are wider than others have more volume capacity (assuming that the height of the water is the same) and as a result, a higher flow rate. The shorter the trench drain run, the greater the flow rate because of the build up of head pressure and greater velocity of water draining to the closer outlet.

A typical sloped trench drain system (see Figures 1-A and 1-B in the adjacent page) starts off with a shallow sloped body section and ends with a deeper sloped body section. This means that the body height is not consistent and the volume capacity of the sloped system is less than the volume capacity of a neutral sloped system that has the same body height throughout the run. (see Figures 2-A and 2-B in the adjacent page).

Figures 1-A and 1-B illustrate a typical sloped trench drain system with flow rates of 98.27 GPM in the 10 metre run and 142.60 GPM in the 20 metre run. Figures 2-A and 2-B illustrate the MIFAB – FILCOTEN T1520N neutral sloped trench drain system with flow rates of 99.20 GPM in the 10 meter run and 149.80 GPM in the 20 meter run. Note that the ending body height in a typical sloped 10 meter trench drain system (195 mm) is the same as all of the body heights in the MIFAB – FILCOTEN T1510N system (195 mm) and the ending body height in a typical sloped trench drain system (245 mm) is the same as all of the body heights in the MIFAB – FILCOTEN T1520N system (245 mm).

Therefore, take advantage of the greater flow rates and easier installation of the MIFAB-FILCOTEN neutral sloped trench drain systems instead of the industry standard sloped trench drain systems.

CALIFORNIA PROPOSITION 65 WARNING. This product contains chemicals known to the State of California to cause cancer and birth defects or other reproductive harm.

Flow rate comparison calculation according to MANNING and STRICKLER

Note: You can see in the details below that the inner slope changes between a 10 meter run and a 20 meter run. This also explains why the flow rate will be substantially higher with a 10 meter run.

6" Wide Sloped vs Neutral Sloped Flow Rate Comparison

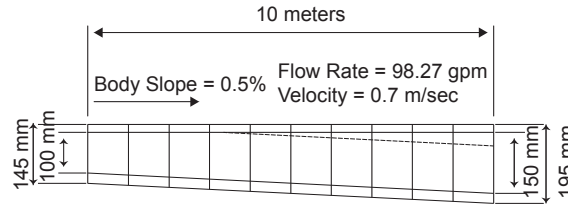


Figure 1-A Typical Sloped Trench Drain from Others

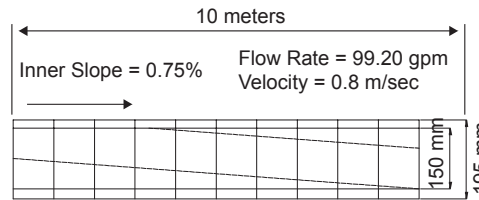


Figure 2-A Filcoten T1510N

This line refers to the open water level, which will start lowering after 1/3 of the run towards the outlet.

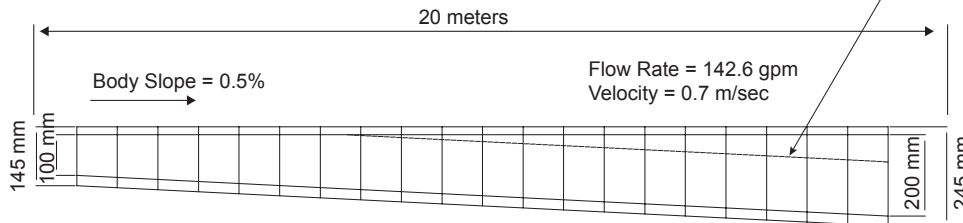


Figure 1-B Typical Sloped Trench Drain from Others

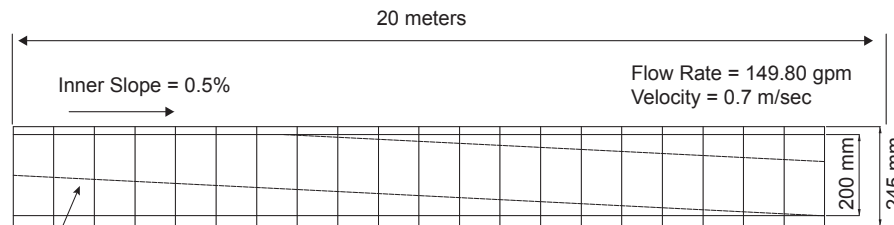


Figure 2-B Filcoten T1520N

This line refers to the "inner slope", which is created by the height of the body and the length of the run. This is based on the principle of the Gauckler Manning Strickler formula.

Note: A neutral run with a constant height of the bodies will always have a higher flow rate, because the total trench drain volume will be higher than a sloped system with 0.5 to 0.6% slope. An substantial increase in flow rate can only be achieved with a sloped system that has an slope of more than 1.6%. Note that sloped bodies available typically have a body slope of only 0.5% to 0.6%

CALIFORNIA PROPOSITION 65 WARNING. This product contains chemicals known to the State of California to cause cancer and birth defects or other reproductive harm.

TERMS AND WARRANTIES**WHOLESALE DISCOUNT:**

Contact MIFAB® or your local representative for your applicable discount structure.

FREIGHT ALLOWANCE: Ex Works, MIFAB's Chicago, Illinois Factory or Manufacturer Representative's warehouse with full motor freight allowed on shipments of \$3,500.00 Net or more, within the continental U.S.A. and Canada, except Alaska, Hawaii and Puerto Rico. MIFAB reserves the right to choose the carrier and route of shipment. Alaska: Ex Works, Seattle, WA. Hawaii: Freight allowed on shipments of \$3,500.00 or more only when shipped from West Coast, U.S. Puerto Rico: Ex Works, Miami, Florida. There is no allowance for United Parcel Service, Federal Express or Shipment by air service. Full motor freight is allowed on shipments of \$3,500.00 Net or more, within the continental U.S.A. and Canada for any combination of BEECO, Counterline, No Hub Coupling, Trench Drain, Access Door and Trap Seal Primer products. Shipping dates are estimates and time of delivery is not the essence of the sale of the contract. Therefore, under no circumstances will MIFAB® have any responsibility on account of any delays in manufacture, transportation, or otherwise. Additional freight services such as construction site delivery, lift gate delivery service, re-consigned freight or notification charges, are not included in full freight allowance terms, and will result in additional freight charges.

QUOTATION TERMS: List Price and discount protected for 30 days from date issued by MIFAB®. Orders received within this period must be released for shipment within 30 days from date of purchase order, otherwise, prices will be those that are in effect at the time of shipment.

PAYMENT TERMS: Terms of payment are Net 30 days from the date of the invoice. All pricing in United States currency except for sales to Canadian customers which are priced in Canadian dollars. The Buyer shall pay all sales, consumers, and / or any other applicable taxes. Past due accounts will be subject to a 2% per month service charge from the date of the invoice. If any proceedings be instructed by or against Buyer under any bankruptcy or insolvency law, or if Buyer shall fail to make timely payment on this or any other order, or if, in MIFAB's judgment, Buyer's financial situation justifies such action, MIFAB® may, at its election, require payment in advance or cancel the order as to any unshipped item and require payment of its reasonable cancellation charges. If Buyer delays completion of manufacture, MIFAB® may elect to require payment according to percentage of completion. Equipment held for Buyer shall be at Buyer's risk and expense. In all cases, regardless of partial payment, title to the Products shall remain with MIFAB® until payment for the Products (including any notes given therefore) has been made in full. Should legal action be necessary to enforce payment of an unpaid invoice, the Buyer will assume full responsibility for any court costs and reasonable attorney fees. All orders subject to credit check and approval prior to shipment. Confirmed irrevocable letter of credit or cash in advance of shipment is required for accounts without an established line of credit. Minimum invoice amount is \$100.00. MIFAB® reserves the right to apply a minimum order charge to equal \$100.00. MIFAB's Accounting Department must be notified of potential pricing errors within 30 days of the invoice date. Any terms and conditions stated on Buyer's orders which are inconsistent with MIFAB's quotation and Terms and Warranties shall be of no effect.

RETURNED GOODS RESTOCKING CHARGE: Standard product may be returned within a one year period only with written permission from MIFAB®. All products in catalog are not considered Standard. Standard product to be determined by MIFAB®. Returned goods are subject to a 25% restocking charge, plus cost of reconditioning, if necessary, to make material saleable. Material must be returned to MIFAB® freight prepaid only after written permission from MIFAB® to accept the returned material. Buyer must provide copy of the original invoice on which the material was charged. The original outgoing freight cost to ship the order will be deducted from the credit. Credit allowance will be in the form of merchandise credit only-not cash credit which must be used within 12 months of the date of issue. The value of a return must total \$100.00 to qualify for credit allowance. Galvanized and acid resistant epoxy coated material will be credited to value of cast iron, and chrome plated at value of nickel bronze. No credit will be allowed for auxiliary tappings, discontinued, or made to order items. Products designated non stock and / or that have been specially made (require a sign off drawing by MIFAB®) are not subject to return or cancellation.

LIMITED WARRANTY: MIFAB® warrants each product against defects in material and workmanship for a period of one year from the date of original shipment. In the event of such defects within the warranty period, MIFAB® will, at its option, replace or recondition the product without charge. This shall constitute the exclusive remedy for breach of warranty, and MIFAB® shall not be responsible for any incidental or consequential damages, including, without limitation, damages or other costs resulting from labor charges, delays, vandalism, negligence, fouling caused by foreign material, damage from adverse water conditions, chemicals, or any other circumstances over which MIFAB® has no control. This warranty shall be invalidated by any abuse, misuse, misapplication or improper installation of the product.

MIFAB® MAKES NO OTHER WARRANTIES EXPRESSED OR IMPLIED AS PROVIDED IN THIS LIMITED WARRANTY.

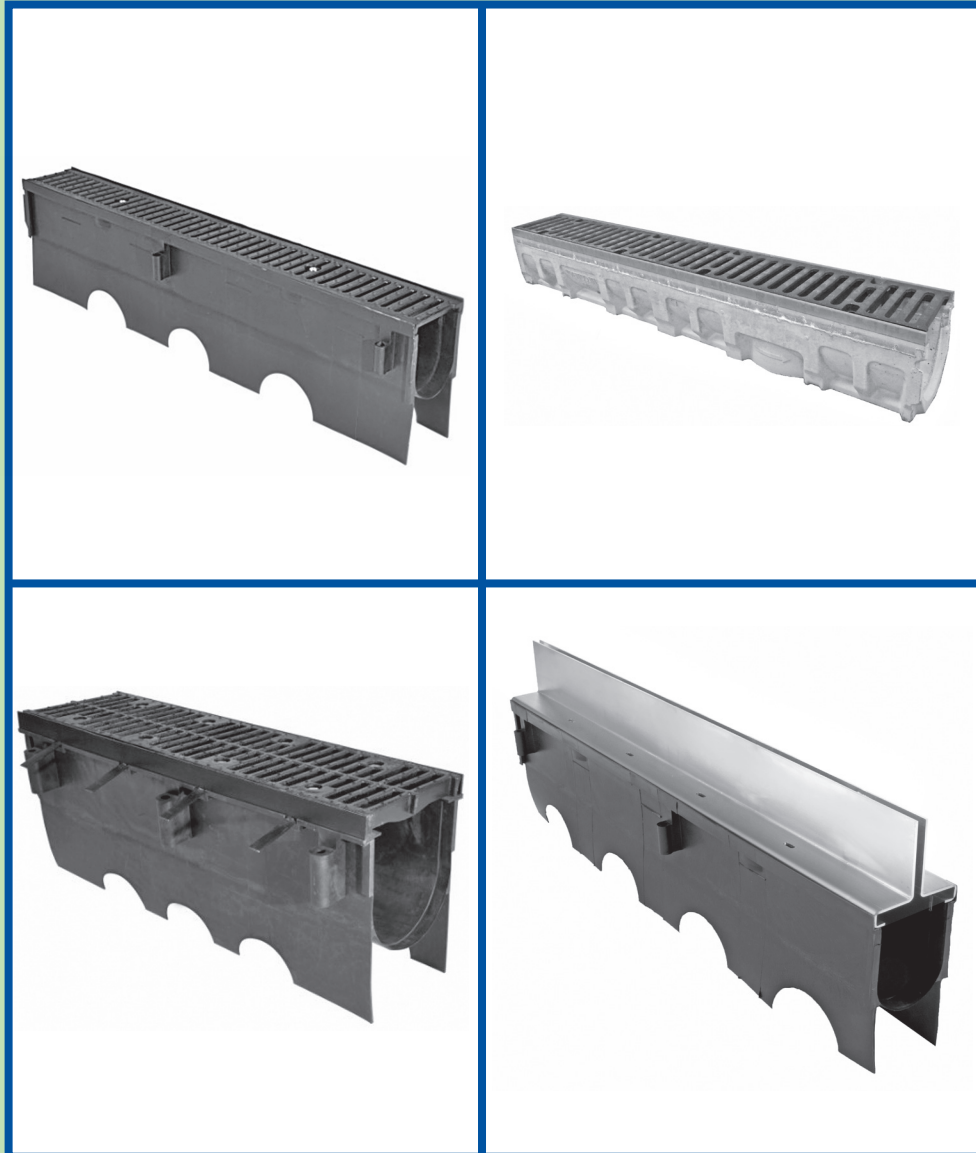
ILLUSTRATIONS OR TYPICAL INSTALLATIONS: The typical installations for various products in each product section are intended to illustrate the products and their options. Under no circumstances are they to be construed as recommended installation procedures. Consult local codes and project specifications for proper installation instructions.

ALL SALES SUBJECT TO MIFAB's TERMS AND WARRANTIES.

NOTE: Prices and terms are subject to change without notice and supersede all previous quotations. The right is reserved to change or modify product design or construction without prior notice and without incurring any obligation to make similar changes and modifications to product previously or subsequently sold. Contact MIFAB® for any clarification.

CONTENTS © MIFAB® INC. Copyright 2017

CALIFORNIA PROPOSITION 65 WARNING. This product contains chemicals known to the State of California to cause cancer and birth defects or other reproductive harm.



Use the QR Code to download a digital copy of this catalog to your mobile device.

Trench Drain Systems LIT-046