

Location: _____

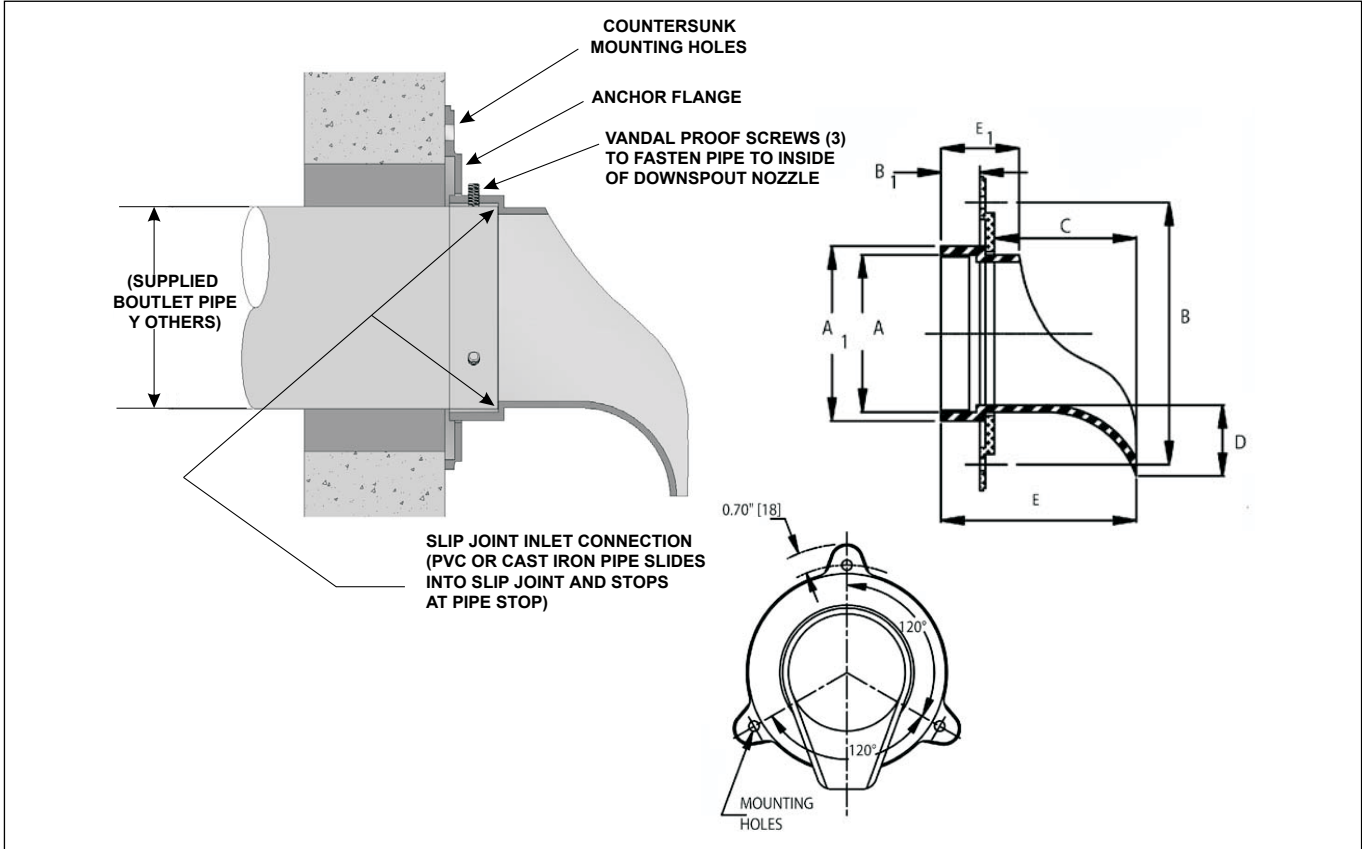


R1940-SJ

DOWNSPOUT NOZZLE WITH SLIP JOINT INLET

Specification: MIFAB® Series R1940-SJ with cast body (specify material type) (nickel bronze or stainless steel) and slip joint inlet, wall anchor flange with countersunk holes and decorative outlet nozzle.

Function: The slip joint inlet downspout nozzle performs the same function as the R1940 downspout nozzle. The difference between the two is the method of connecting the pipe to the inlet. The R1940-SJ has the inlet machined out. This allows cast iron or PVC pipe to extend past the face of the finished wall and rest against the pipe stop. The pipe is secured to the inside of the R1940-SJ via three vandal proof screws.



| MODEL NO. | PIPE SIZE - A | A ₁ | B | B ₁ | C | D | E | E ₁ |
|-----------|---------------|----------------|-------------|----------------|------------|------------|-------------|----------------|
| R1942-SJ | 2" (51) | 3.90"(100) | 6.40"(163) | 1.00"(25) | 4.50"(114) | 2.00" (51) | 5.75" (146) | 2.10" (53) |
| R1943-SJ | 3" (76) | 3.90"(100) | 6.40"(163) | 1.00"(25) | 4.50"(114) | 2.00" (51) | 5.75" (146) | 2.10" (53) |
| R1944-SJ | 4" (102) | 4.90"(124) | 7.40"(188) | 1.15"(29) | 4.00"(102) | 2.00" (51) | 5.50" (140) | 2.10" (53) |
| R1946-SJ | 6" (152) | 7.10"(180) | 9.40"(239) | 1.15"(29) | 4.50"(114) | 2.50" (64) | 5.75" (146) | 2.10" (53) |
| R1948-SJ | 8" (203) | 9.10"(231) | 11.40"(290) | 1.15"(29) | 4.50"(114) | 2.50" (64) | 5.75" (146) | 2.65" (67) |
| R1950-SJ | 10" (254) | 11.20"(284) | 13.40"(340) | 1.35"(34) | 4.50"(114) | 2.50" (64) | 5.75" (146) | 2.65" (67) |
| R1952-SJ | 12" (305) | 13.10"(334) | 14.63"(372) | 1.35"(34) | 4.50"(114) | 2.50" (64) | 6.56" (167) | 2.65" (67) |

| SUFFIX | OPTIONAL VARIATIONS |
|--------|---|
| -1 | Cast Nickel Bronze |
| -3 | Cast stainless steel (Type 304, 2" through 6" only) |
| -83 | Stainless steel mesh screen over dome |
| -84 | Stainless steel hinged perforated cover |
| -BA | Minimum 51% material cost made in the USA |
| -PA | Pennsylvania Steel Act compliant product |

CALIFORNIA PROPOSITION 65 WARNING. This product contains chemicals known to the State of California to cause cancer and birth defects or other reproductive harm.

Job Name: _____ Page No: _____
 Section No: _____ Contractor: _____
 Schedule No: _____ Purchase Order No: _____