

Location: _____



R1220

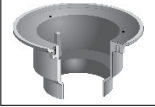
MEDIUM SUMP PUMP ROOF DRAIN

Specification: MIFAB® Series R1220 lacquered cast iron medium sump roof drain with 12" diameter anchor flange, large cast iron waterproofing membrane clamp ring with integral gravel stop, and standard self-locking cast iron dome strainer with a free area of 71.50 square inches.


Function: Used in any type of flat roofs where a medium sized drain is required. Wide anchor flange and membrane clamp with deep groove design provides for secure grip of membrane and roof flashing materials.

71.50 IN² FREE AREA DOME


PARTS:




A5 BODY



A5-MD



A5-C3



HS-1

R1220 Series
Meets ANSI/ASME
roof drain standard
A112.6.4-2003

PIPE SIZE	BODY HEIGHT	
	NO HUB (STANDARD)	INSIDE CAULK (X)
2" (51)	6 1/2" (165)	6.575 (167)
3" (76)	6 1/2" (165)	6.575 (167)
4" (102)	6 1/2" (165)	6.575 (167)
6" (152)	6 1/2" (165)	6.575 (167)

SUFFIX	OPTIONAL VARIATIONS
-6	Vandal proof dome (metal dome only)
-11	Acid resistant epoxy coating
-12	Galvanized metal dome
-12A	Galvanized body and membrane clamp
-13	Galvanized body, membrane clamp and dome
-83	Stainless steel mesh screen over dome
-B	Sump receiver
-BA	Minimum 51% material cost made in the USA
-E	Adjustable extension
-EG	Galvanized Adjustable extension
-G	Stainless steel ballast guard

SUFFIX	OPTIONAL VARIATIONS
-HC	Adjustable ballast guard with sec. clamp
-JC	S.S. ballast guard with secondary clamp
-PA	Pennsylvania Steel Act compliant product
-R	2" external water dam
-RG	RoofGuard non clogging cast iron dome
-U	Underdeck clamp
-U3	Underdeck clamp with cutaway side
-W-1	Water proofing flange
X	Inside caulk outlet (2", 3", 4")
-XJ	Vertical expansion joint (see R1900)
-Z	Extended wide elastomeric flange (20" diameter x 1/4" thick)

CALIFORNIA PROPOSITION 65 WARNING. This product contains chemicals known to the State of California to cause cancer and birth defects or other reproductive harm.

Job Name: _____ Page No: _____
 Section No: _____ Contractor: _____
 Schedule No: _____ Purchase Order No: _____