

Location: \_\_\_\_\_

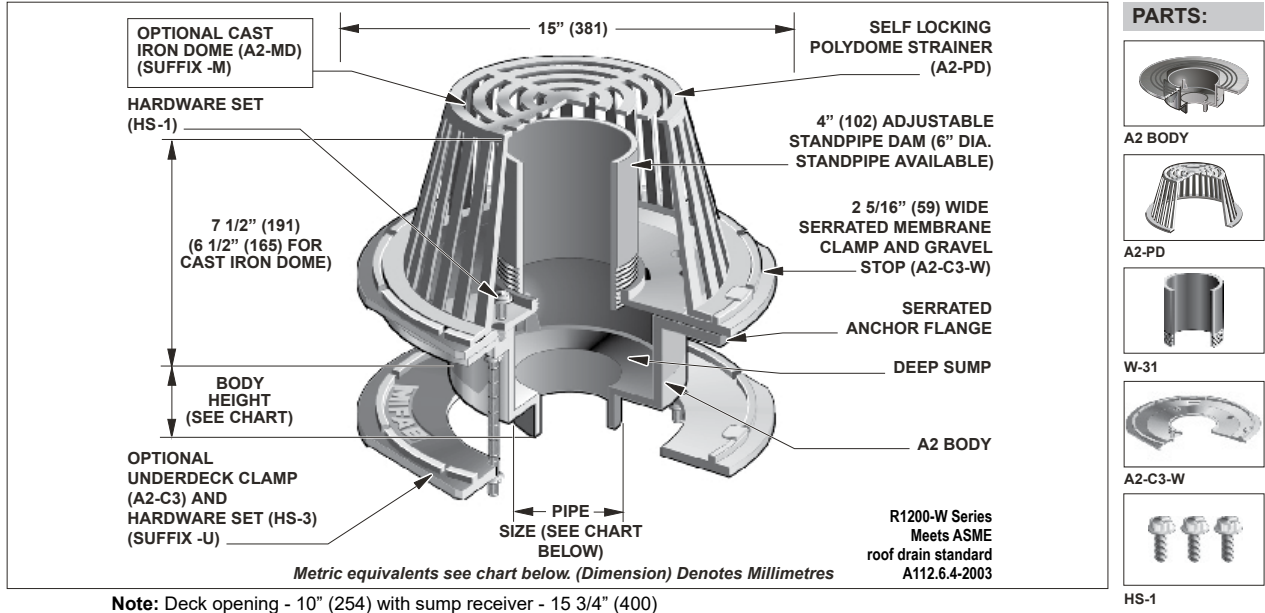


# R1200-W

## LARGE SUMP ROOF DRAIN WITH ADJUSTABLE INTERNAL STANDPIPE DAM

**Specification:** MIFAB® Series R1200-W lacquered cast iron deep sump roof drain with 15" diameter anchor flange, large cast iron waterproofing membrane clamp ring with integral gravel stop, adjustable internal standpipe dam and standard self-locking polyethylene dome strainer with a free area of 125 square inches.

**Function:** Used in flat roofs where a constant height of water is required. Also used as a safety overflow on conventional roofs, draining water when the depth of water on the roof exceeds the standpipe height. Standpipe dam can be cut to required water depth. Large free area dome provides for efficient drainage of rainwater and prevents debris from entering the drain line. Extra wide anchor flange and membrane clamp with tongue in groove design provides for secure grip of membrane and roof flashing materials.



**Note:** Deck opening - 10" (254) with sump receiver - 15 3/4" (400)

PIPE SIZE	BODY HEIGHT				
	NO HUB (STANDARD)	PUSH ON (P)	THREADED (T)	INSIDE CAULK (X)	PVC (-30) / ABS (-31)
2" (51)	5 3/4" (146)	5 1/2" (140)	6 1/2" (165)	6 1/2" (165)	6 3/4" (171)
3" (76)	5 3/4" (146)	5 1/2" (140)	6 5/8" (168)	6 1/2" (165)	7 1/2" (191)
4" (102)	5 3/4" (146)	5 1/2" (140)	5 1/2" (140)	6 1/2" (165)	7 5/8" (194)
5" (127)	5 3/4" (146)	5 1/2" (140)	6 5/8" (168)	6 3/4" (171)	-
6" (152)	7 1/4" (184)	5 5/8" (143)	5 5/8" (143)	6 1/2" (165)	-
8" (203)	5 7/8" (149)	N/A	N/A	(A7-8X body)	-

<b>SUFFIX</b>	<b>OPTIONAL VARIATIONS</b>	<b>SUFFIX</b>	<b>OPTIONAL VARIATIONS</b>
-6	Vandal proof dome (metal dome only)	-HC	Adjustable ballast guard with sec. clamp
-11	Acid resistant epoxy coating	-JC	S.S. ballast guard with secondary clamp
-12	Galvanized metal dome	-M	Metal dome
-12A	Galvanized body and membrane clamp	-M-80	Low profile silhouette aluminum dome
-12B	Galvanized metal dome and membrane clamp	P	Push on outlet
-13	Galvanized body, membrane clamp and dome	-PA	Pennsylvania Steel Act compliant product
-28	Stainless steel body (Type 304) (2", 3", 4")	T	Threaded outlet (2", 3", 4")
-30	PVC socket connection body	-U	Underdeck clamp
-31	ABS socket connection body	-U3	Underdeck clamp with cutaway side
-81	Rough bronze dome	-V	Fixed Static Extension 2", 3", 4"
-83	Stainless steel mesh screen over dome	-VG	Galvanized fixed extension (2", 3", 4")
-90	Threaded side outlet (2", 3", 4")	-W-1	Water proofing flange
-90-NH	No Hub side outlet (cast iron only) (2", 3", 4")	-W1	Water proofing flange (A8-W-1)
(Standard)	No hub outlet	-W2	2" internal water dam
-B	Sump receiver	-W3	3" internal water dam
-BA	Buy America Act compliant product	-W4	4" internal water dam
-C	Secondary clamp	-W6	6" diameter adjustable water dam
-E	Adjustable extension	X	Inside caulk outlet (2", 3", 4")
-EG	Galvanized Adjustable extension	-XJ	Vertical expansion joint (see R1900)
-G	Stainless steel ballast guard	-Z	Extended wide elastomeric flange

CALIFORNIA PROPOSITION 65 WARNING. This product contains chemicals known to the State of California to cause cancer and birth defects or other reproductive harm.

Job Name: \_\_\_\_\_ Page No: \_\_\_\_\_  
 Section No: \_\_\_\_\_ Contractor: \_\_\_\_\_  
 Schedule No: \_\_\_\_\_ Purchase Order No: \_\_\_\_\_