

Location: _____



R1200-R-RG

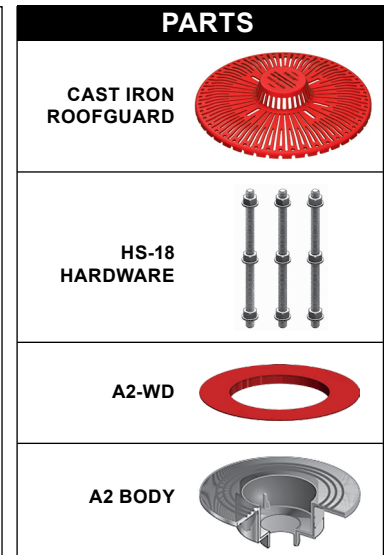
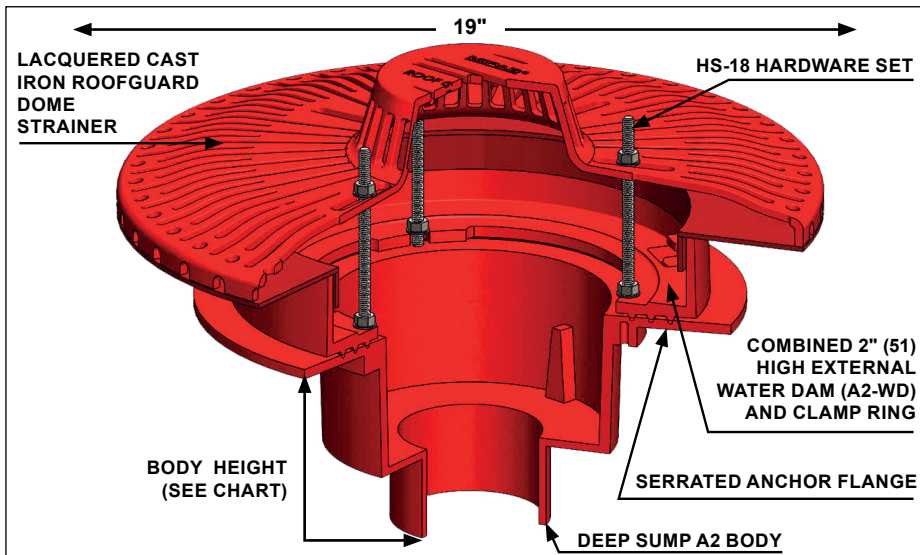


LARGE SUMP ROOF DRAIN WITH 2" HIGH EXTERNAL WATER DAM AND 19" DIAMETER CAST IRON ROOFGUARD

Specification: MIFAB® Series R1200-R-RG lacquered cast iron deep sump roof drain with 15" diameter anchor flange, 2" high, cast iron external combined water dam and waterproofing membrane clamp ring and 19" diameter cast iron RoofGuard dome strainer with horizontal and perimeter drainage slots to prevent clogging of the roof dome.



Function: Used in flat roofs where a constant height of water is required. Also used as an emergency overflow, draining water when the depth of water on the roof exceeds the water dam height. Patented design significantly increases the surface area making the drain virtually uncloggable. The greatly increased surface area and perimeter drainage eliminates leaks and standing water on the roof.



| PIPE SIZE | BODY HEIGHT | | | | |
|-----------|-------------------|--------------|--------------|------------------|---------------------|
| | NO HUB (STANDARD) | PUSH ON (P) | THREADED (T) | INSIDE CAULK (X) | PVC/ABS (-30)/(-31) |
| 2" (51) | 5 3/4" (146) | 5 1/2" (140) | 6 1/2" (165) | 6 1/2" (165) | 6 3/4" (171) |
| 3" (76) | 5 3/4" (146) | 5 1/2" (140) | 6 5/8" (168) | 6 1/2" (165) | 7 1/2" (191) |
| 4" (102) | 5 3/4" (146) | 5 1/2" (140) | 5 1/2" (140) | 6 1/2" (165) | 7 5/8" (194) |
| 5" (127) | 5 3/4" (146) | — | 6 5/8" (168) | 6 3/4" (171) | — |
| 6" (152) | 7 1/4" (184) | 5 5/8" (143) | 5 5/8" (143) | 6 1/2" (165) | — |
| 8" (203) | 5 7/8" (149) | — | — | (See note *) | — |

| SUFFIX | OPTIONAL VARIATIONS |
|------------|---|
| -6 | Vandal proof dome (metal dome only) (T-20 Torx & pin) |
| -11 | Acid resistant epoxy coating |
| -12 | Galvanized metal dome |
| -12A | Galvanized body and membrane clamp |
| -12B | Galvanized metal dome and membrane clamp |
| -13 | Galvanized body, membrane clamp and dome |
| -28 | Stainless steel body (Type 304) (2", 3", 4") |
| -30 | PVC socket connection body |
| -31 | ABS socket connection body |
| -83 | Stainless steel mesh screen over dome |
| -90 | Threaded side outlet (2", 3", 4") |
| -90NH | No Hub side outlet (cast iron only) (2", 3", 4") |
| (Standard) | No hub outlet |
| -B | Sump receiver |
| -BA | Buy America Act compliant product |

| SUFFIX | OPTIONAL VARIATIONS |
|--------|--|
| -C | Secondary clamp |
| -E | Adjustable extension |
| -EG | Galvanized Adjustable extension |
| P | Push on outlet |
| -PA | Pennsylvania Steel Act compliant product |
| T | Threaded outlet (2", 3", 4") |
| -U | Underdeck clamp |
| -U3 | Underdeck clamp with cutaway side |
| -V | Fixed Static Extension 2", 3", 4" |
| -VG | Galvanized fixed extension (2", 3", 4") |
| -W-1 | Water proofing flange |
| -W1 | Water proofing flange (A8-W-1) |
| X | Inside caulk outlet (2", 3", 4") |
| -XJ | Vertical expansion joint (see R1900) |
| -Z | Extended wide elastomeric flange |

CALIFORNIA PROPOSITION 65 WARNING. This product contains chemicals known to the State of California to cause cancer and birth defects or other reproductive harm.

Job Name: _____ Page No: _____
 Section No: _____ Contractor: _____
 Schedule No: _____ Purchase Order No: _____