

Location: _____

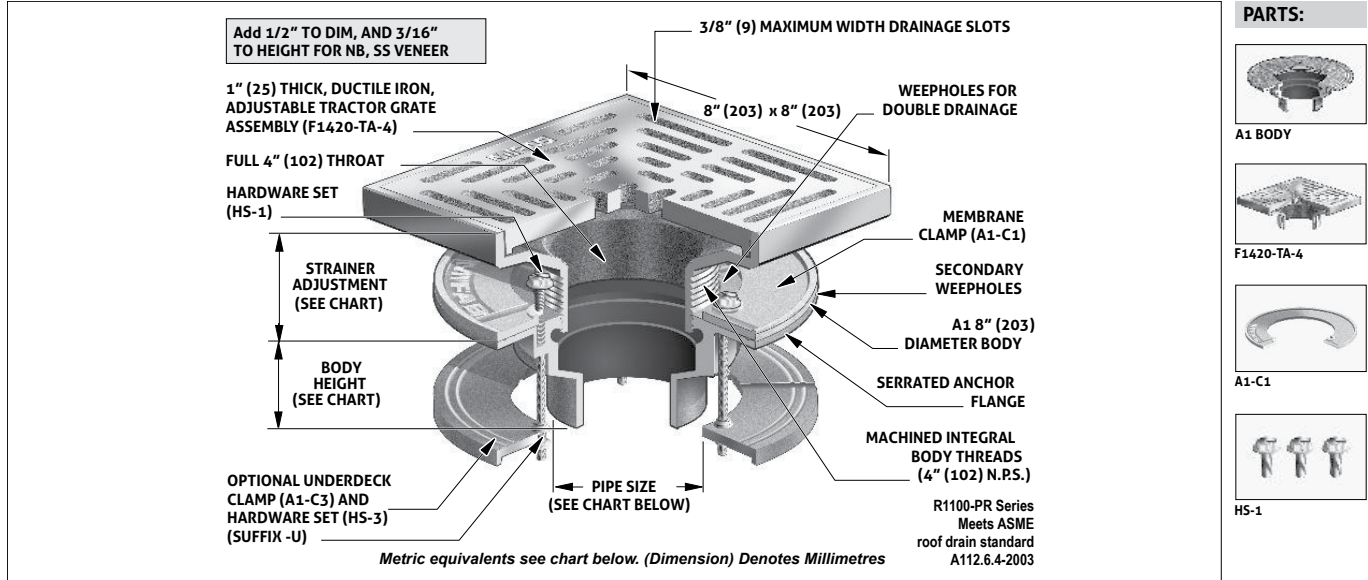


R1100-PR

PROMENADE DECK DRAIN

Specification: MIFAB® Series R1100-PR lacquered cast iron roof drain with anchor flange, cast iron waterproofing membrane clamp ring, and standard 1" (25) thick, 8" (203) square adjustable ductile iron tractor grate with 3/8" (9) maximum width drainage slots and a free area of 26 square inches.

Function: Used in any type of flat roofs and gutters designed for promenade or recreational areas. Square top blends in with tile and brick patterns and has enough free area for efficient drainage of rainwater. Narrow, 3/8" (9) drainage slots prevent debris from entering the drain line. 8" diameter body is ideal for applications with limited space. Anchor flange and membrane clamp with tongue in groove design provides for secure grip of membrane and roof flashing materials.



Note: When used as a floor or area drain in exterior areas and subject to rainfall, ensure that the free area is equal to twice the transverse (cross sectional) area of the connecting pipe.

| STRAINER DIAMETER | STRAINER ADJUSTMENT | | ANSI/ASME RATING | | PIPE SIZE | BODY HEIGHT | | | | |
|-----------------------|---------------------|-------------|------------------|--|-----------|-------------------|--------------|--------------|------------------|-----------------------|
| | MIN | MAX | FREE AREA | LOAD RATING | | NO HUB (STANDARD) | PUSH ON (P) | THREADED (T) | INSIDE CAULK (X) | PVC (-30) / ABS (-31) |
| 8" x 8" (203) x (203) | 1 3/4" (45) | 2 5/8" (67) | 26 in² (16,800P) | ANSI/ASME LOAD CLASS "SPECIAL DUTY" (OVER 10,000 LBS.) | 2" (51) | 3" (76) | 3 3/8" (86) | 2 1/4" (57) | 3 3/4" (95) | 2 5/8" (67) |
| | | | | | 3" (76) | 3" (76) | 3 3/8" (86) | 2 5/8" (67) | 3 3/4" (95) | 3 1/4" (83) |
| | | | | | 4" (102) | 3" (76) | 3 3/8" (86) | 2 5/8" (67) | 3 3/4" (95) | 3 1/2" (89) |
| | | | | | 5" (127) | 3" (76) | — | 2 5/8" (67) | 6 7/8" (175) | — |
| | | | | | 6" (152) | 3 1/2" (89) | 6 7/8" (175) | — | — | — |

Note: Deck opening - 6 3/8" (160) with sump receiver - 8 1/2" (216)

| Suffix | Description |
|------------|---|
| -1 | Nickel bronze (venerer) |
| -3 | Stainless steel (venerer) |
| -4 | Ductile iron grate (standard) |
| -5 | Sediment bucket |
| -6 | Vandal proof |
| -11 | Acid resistant epoxy coating |
| -12 | Galvanized metal dome |
| -13 | Galvanized body, membrane clamp and dome |
| -15 | Adjustable extension |
| -21 | Secondary flat stainless steel strainer (2", 3", 4") |
| -28 | Stainless steel body (Type 304) (2", 3", 4") |
| -30 | PVC socket connection body |
| -31 | ABS socket connection body |
| -34 | Closure plug |
| -90 | Threaded side outlet (2", 3", 4") |
| -90NH | No Hub side outlet (cast iron only) (2", 3", 4") |
| -95 | Client logo |
| (Standard) | No hub outlet |
| -B | Sump receiver |
| -BA | Buy America Act compliant product |
| P | Push on outlet |
| -PA | Pennsylvania Steel Act compliant product |
| T | Threaded outlet (2", 3", 4") |
| -U | Underdeck clamp (Not available with 6" outlets) |
| -U3 | Underdeck clamp with cutaway side (Not available with 6" outlets) |
| -W-1 | Water proofing flange |
| X | Inside caulk outlet (2", 3", 4") |
| -XJ | Vertical expansion joint (see R1900) |
| -Z | Extended wide elastomeric flange |

CALIFORNIA PROPOSITION 65 WARNING. This product contains chemicals known to the State of California to cause cancer and birth defects or other reproductive harm.

Job Name: _____ Page No: _____

Section No: _____ Contractor: _____

Schedule No: _____ Purchase Order No: _____