

Location: _____



P9000

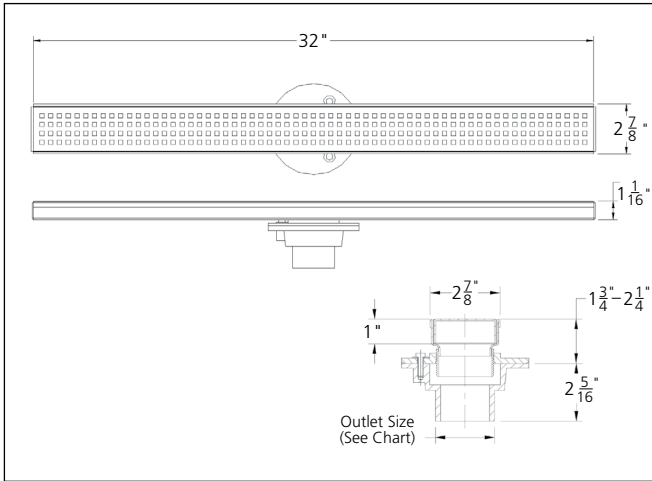
2 7/8" Wide, Stainless Steel Linear Shower Drain with Square Hole Grate Pattern and Flanged Bottom Outlet

SPECIFICATION:

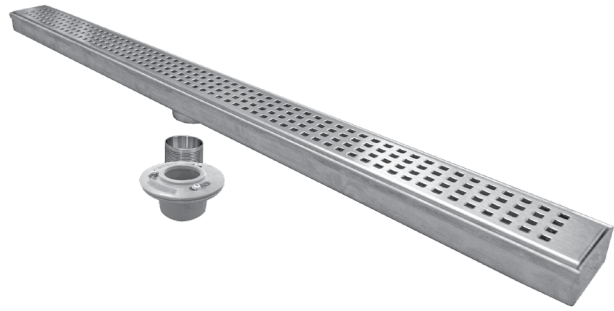
MIFAB® Series P9000, 2 7/8" wide, 1 1/16" deep Type 304 (CF8) fabricated stainless steel linear shower drain. Complete with vertically adjustable top assembly and frame and 2" cast iron no hub center outlet connection with anchor flange and membrane clamp and light-duty satin finished stainless steel grate with square hole pattern.

FUNCTION:

Designed for installation in shower areas where a minimum of 2" (51) concrete pour is required. The drain can be adjusted upward to accommodate an additional 1" in height. The P9000 eliminates the need to slope the finished flooring in multiple directions. This allows the drainage of a larger floor surface area than typical shower drains. The floor can be pitched in one direction toward the linear shower drain. Type 304 construction provides anti-microbial resistance, durability and low maintenance.



Note: Every order of this product is a special / custom order fabrication. This product is non returnable and noncancellable.



Note: All grates are Load Class "A", "Light Duty" Grates

MODEL NUMBER	DESCRIPTION
P9002-32	2 7/8" wide, Type 304 Stainless Steel Linear Shower Drain, 32" long, satin finish
P9002-36	2 7/8" wide, Type 304 Stainless Steel Linear Shower Drain, 36" long, satin finish
P9002-42	2 7/8" wide, Type 304 Stainless Steel Linear Shower Drain, 42" long, satin finish
P9002-48	2 7/8" wide, Type 304 Stainless Steel Linear Shower Drain, 48" long, satin finish
P9002-60	2 7/8" wide, Type 304 Stainless Steel Linear Shower Drain, 60" long, satin finish

OPTIONAL VARIATIONS	DESCRIPTION
-5	Hair Strainer
-CSM	Custom satin finish, stainless steel grate design and body dimensions
-CSM-ORB	Custom oil rubbed bronze grate design and body dimensions
-CSM-PS	Custom polished stainless steel grate design and body dimensions
-7MG	MI-GARD trap seal protection device (available for 1-1/2", 2", 3", 3-1/2", 4" and 6" outlet connections)
-ORB	Oil rubbed bronze grate finish, for 32" long shower drain
	Oil rubbed bronze grate finish, for 36" long shower drain
	Oil rubbed bronze grate finish, for 42" long shower drain
	Oil rubbed bronze grate finish, for 48" long shower drain
	Oil rubbed bronze grate finish, for 60" long shower drain
-PS	Polished stainless steel grate finish, for 32" long shower drain
	Polished stainless steel grate finish, for 36" long shower drain
	Polished stainless steel grate finish, for 42" long shower drain
	Polished stainless steel grate finish, for 48" long shower drain
	Polished stainless steel grate finish, for 60" long shower drain
T	2" Threaded body outlet connection with anchor flange and membrane clamp

CALIFORNIA PROPOSITION 65 WARNING. This product contains chemicals known to the State of California to cause cancer and birth defects or other reproductive harm.

Job Name: _____ Page No: _____
 Section No: _____ Contract: _____
 Schedule No: _____ Purchase Order No: _____